

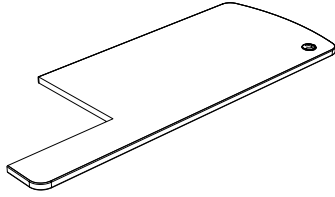
 **ASSEMBLY INSTRUCTIONS**   
DO NOT THROW AWAY!

**INSTRUCCIONES DE ENSEMBLAJE**  
NO LA TIRE

**INSTRUCTIONS DE MONTAGE**  
NE PAS JETER

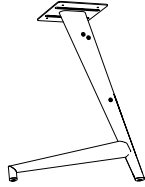
## Parts List

P1 - Table Top



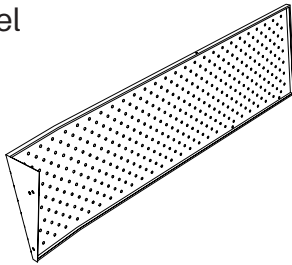
x1

P2 - Leg



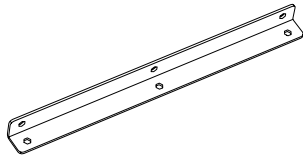
x1

P3 - Modesty Panel



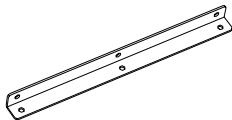
x1

P4 - Long Angle Support



x1

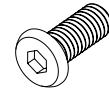
P5 - Short Angle Bracket



x1

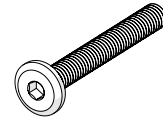
## Hardware

A - M6 x 15mm Screw



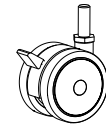
x13

B - M6 x 42mm Screw



x4

C - Locking Caster



x1

D - Non-Locking Caster



x1

E - Lock Washer



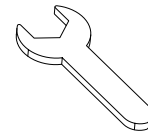
x2

F - Allen Wrench



x1

G - Caster Wrench



x1

## WARNINGS AND DISCLAIMERS

Review full assembly instructions and check that all parts are present before beginning assembly. Heavy or large furniture may require multiple persons in order to properly assemble. If you have questions regarding assembly, contact the manufacturer before continuing. Damage due to incorrect assembly may not be covered by warranty. Do not use product unless all screws are tight. Check all screws for tightness at least every six months. If parts are broken, missing, damaged, or worn, stop use of the product until repairs are made by your dealer using factory authorized parts.

## ADVERTENCIAS Y RENUNCIAS

Previo a comenzar el proceso de ensamblaje favor de revisar las instrucciones y asegurarse que cuenta con todas las partes y materiales necesarios. Es posible que los muebles grandes o pesados, requieran mas de una persona para ensamblarlos correctamente. Por favor contacte al fabricante directamente si tiene alguna duda o pregunta antes de continuar con el proceso de armado del producto. La garantía no cubrirá daños que ocurrieron por errores cometidos durante el proceso de ensamblaje. Todos los tornillos deben estar ajustados previo el uso del producto. Debe revisar los tornillos periódicamente, por lo menos cada seis meses y asegurarse de que estén bien ajustados. Por favor detenga el uso del producto si partes del producto se pierden, rompen, se deterioran por uso o se rompen. Favor de contactar a su distribuidor para que le envíen las partes necesarias o realice las reparaciones necesarias con partes autorizadas por el fabricante.

## AVERTISSEMENTS

Avant de commencer l'assamblage veuillez consulter les instructions complètes et vérifier si vous avez toutes les pièces nécessaires. Il est possible que plusieurs personnes soient nécessaires pour assemble des meubles grand ou lourds. En cas de doute sur l'assamblage contactez le fabricant avant de continuer. Les dommages encourus pendant l'assamblage ne seront pas couvert par la garantie. Ne pas utiliser le produit sans vérifier que tous les vis soient serrées. Vérifiez que les vis sont serrées au moins tous le 6 mois. Si aucune pièce se casse, manque, est endommagée ou usée, arrêtez d'utiliser de produit jusqu'à ce que le vendeur le repaire a l'aide de pièces autorisées par la fabricant.

## WARRANTY

For full product warranty details, please visit:

Para obtener información sobre la garantía del producto, consulte este sitio (ingles):

Pour plus d'informations sur la garantie du produit, consultez ce site (anglais):

<http://moorecoinc.com/warranty>

## CARE & MAINTENANCE

For questions on assembly or missing/damaged parts, please contact us using the following information.

Para preguntas sobre el ensamblaje o piezas faltantes o dañadas, por favor contáctenos usando la siguiente información.

Pour toute question sur le montage l'assamblage manquantes ou endommagées, veuillez nous contacter en utilisant les l'information ci-dessous.

Email:

[support@moorecoinc.com](mailto:support@moorecoinc.com)

Phone:

**1.800.749.2258**

(Monday - Friday, 8AM - 5PM

Central Time)

## PRODUCT REGISTRATION

To register your product for warranty, please visit:

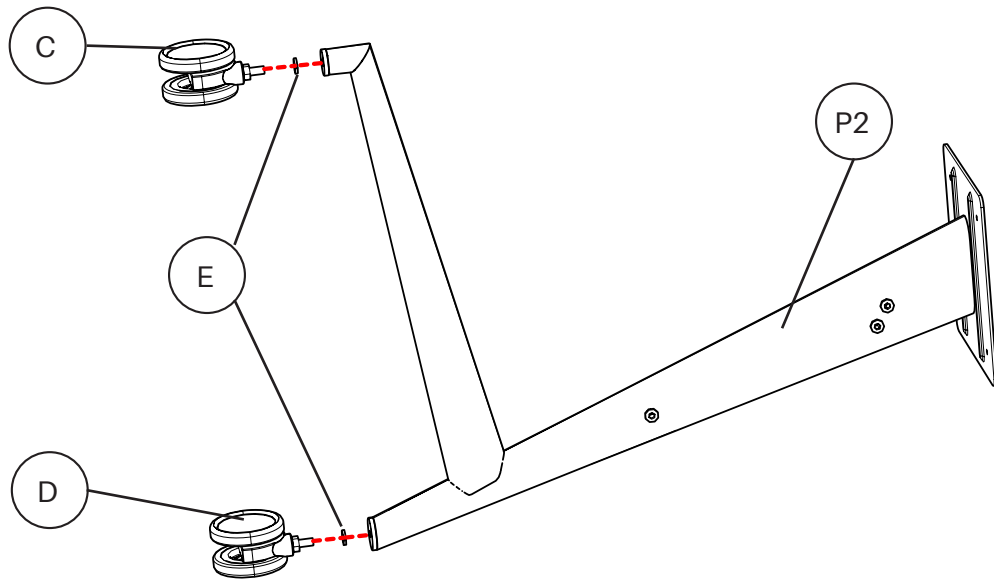
Para registrar la garantía del producto, vea este sitio (en ingles):

Pour enregistrer la garantie de votre produit, consultez ce site (en anglais):

<https://moorecoinc.com/register>

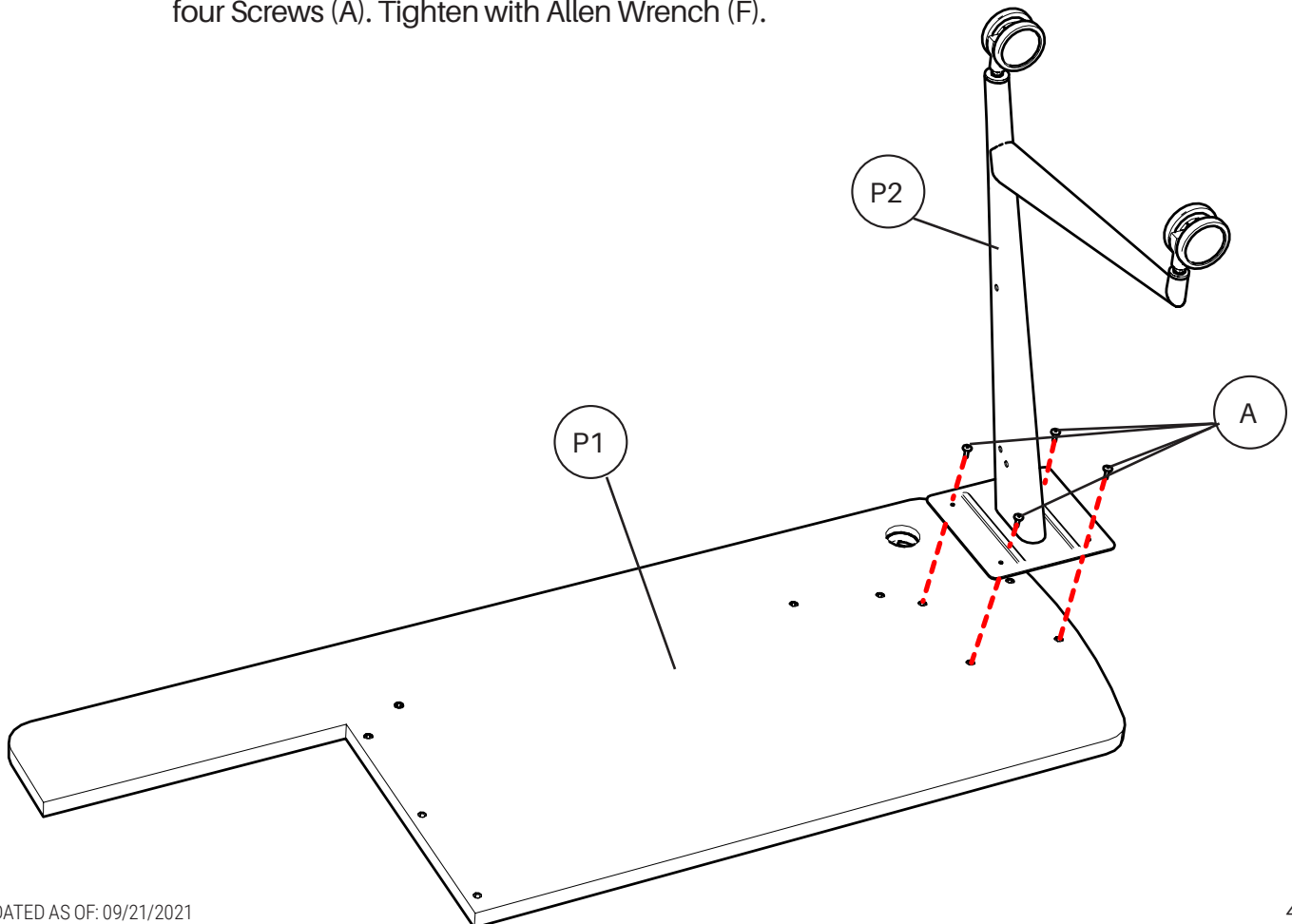
## STEP 1

Place a Lock Washer (E) on the threaded stem of the Locking Caster (C) and screw it into the front Leg (P-2). Tighten with Caster Wrench (G). Place a Lock Washer (E) on the threaded stem of the Non-Locking Caster (D) and screw it into the rear Leg (P-2) and tighten with Caster Wrench (G) as shown in illustration #1.



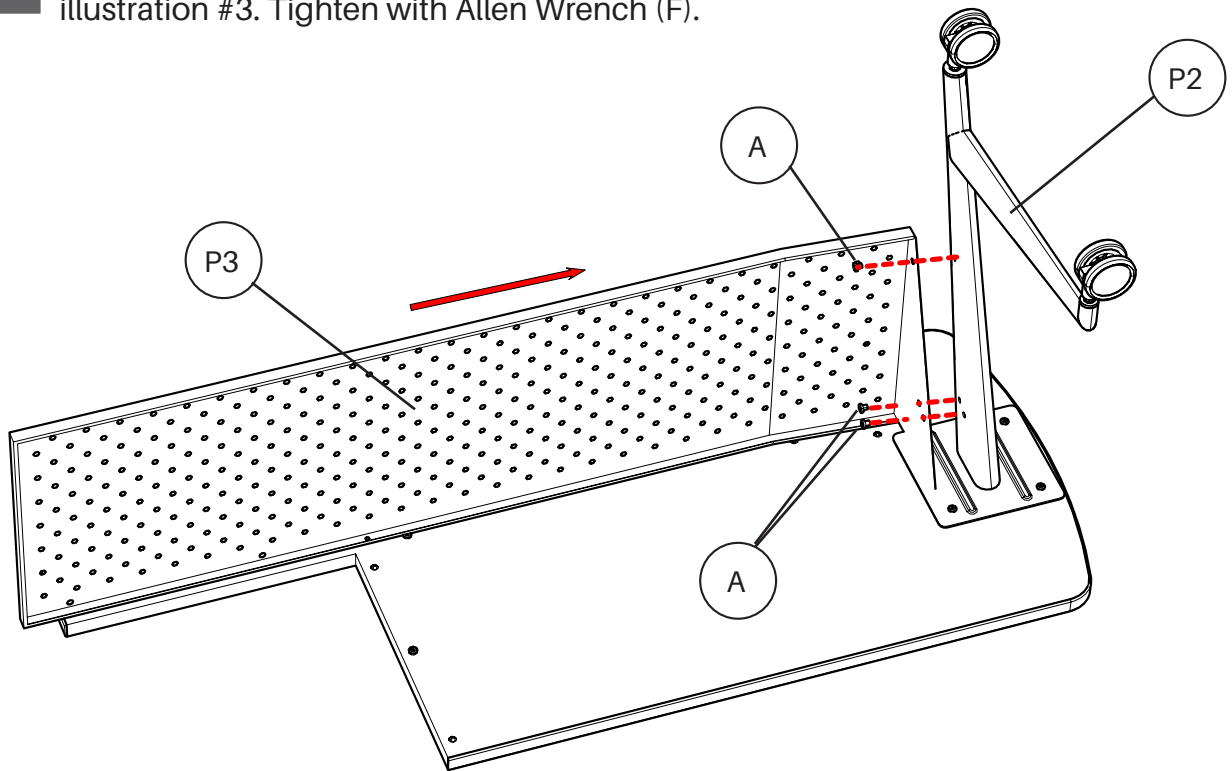
## STEP 2

Place the Desk Top (P-1) face down on a padded surface. Line the holes in the Leg (P-2) attachment plate with the four threaded holes in the bottom of the Desk Top. Attach using four Screws (A). Tighten with Allen Wrench (F).



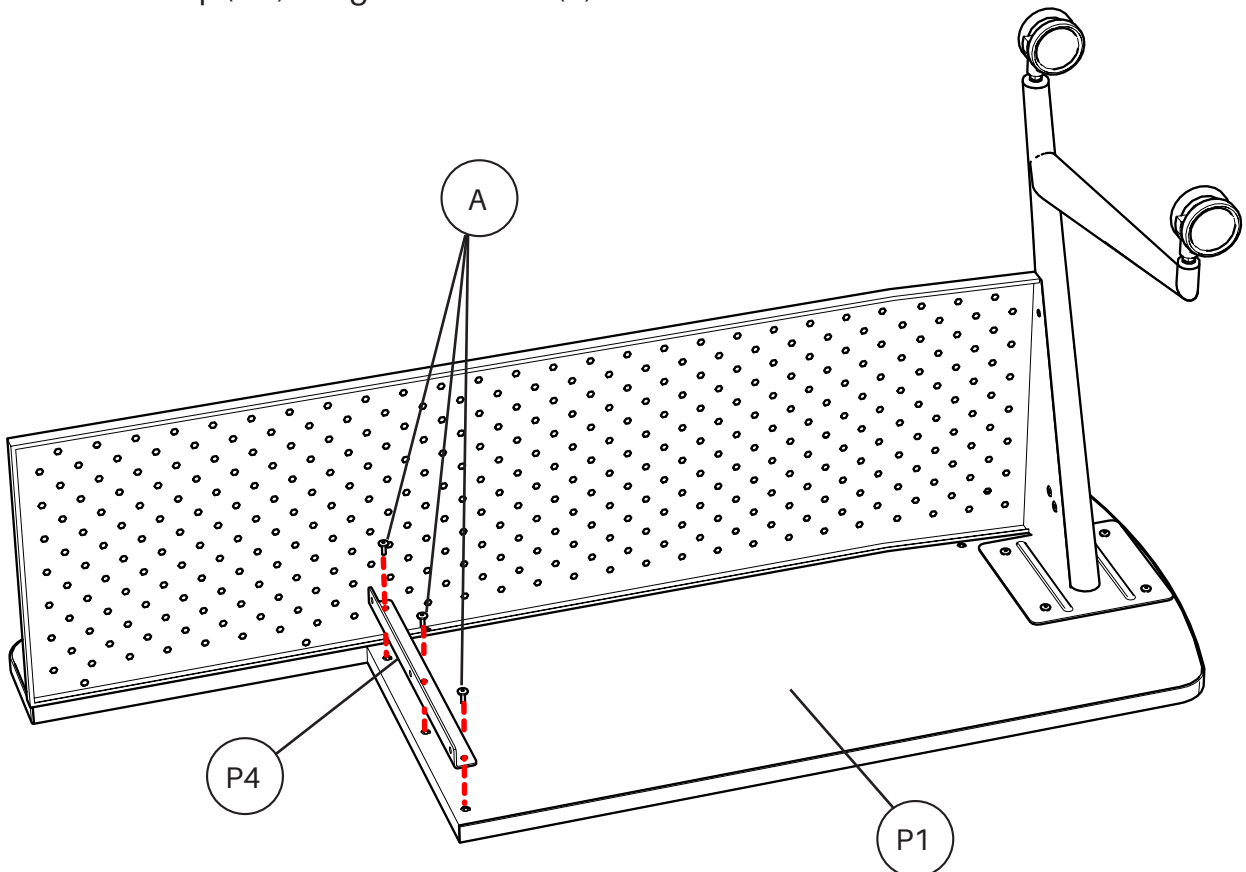
### STEP 3

Attach the Modesty Panel (P-3) to the Leg (P-2) using three Screws (A) as shown in illustration #3. Tighten with Allen Wrench (F).



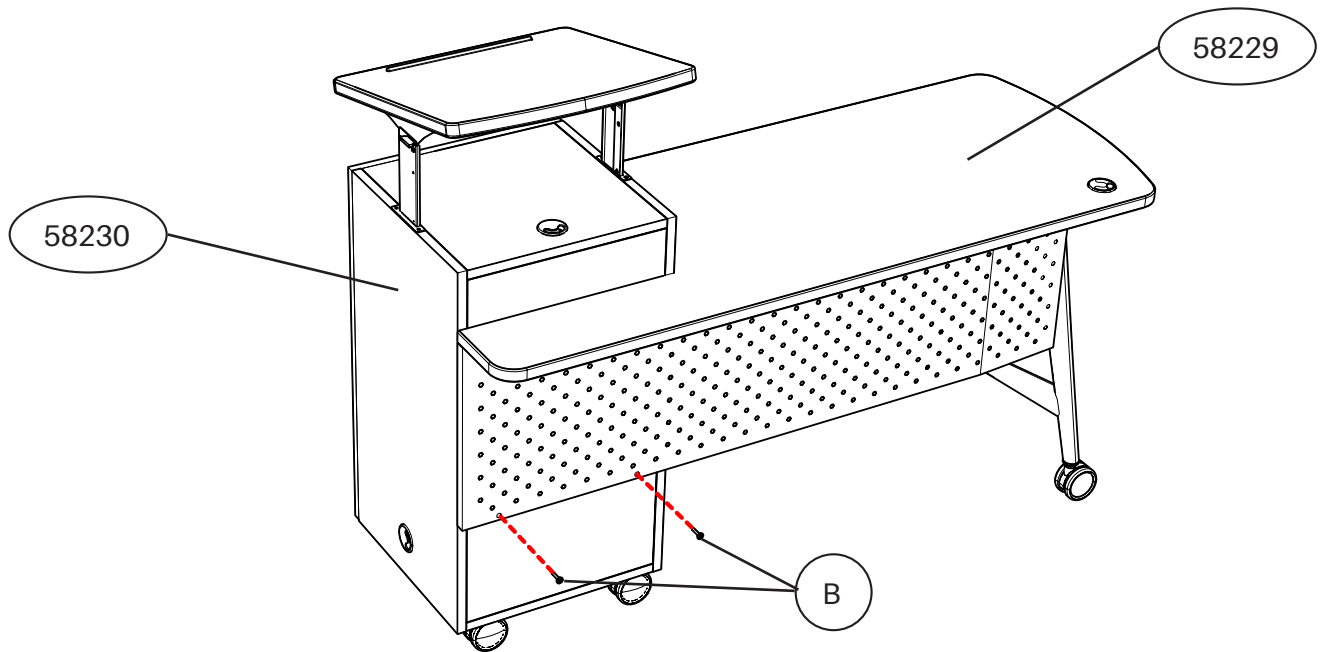
### STEP 4

Attach the Long Angle Supports (P-4) to the threaded insert under the cut-out of the Desk Top (P-1) using three Screws (A). See illustration #4.



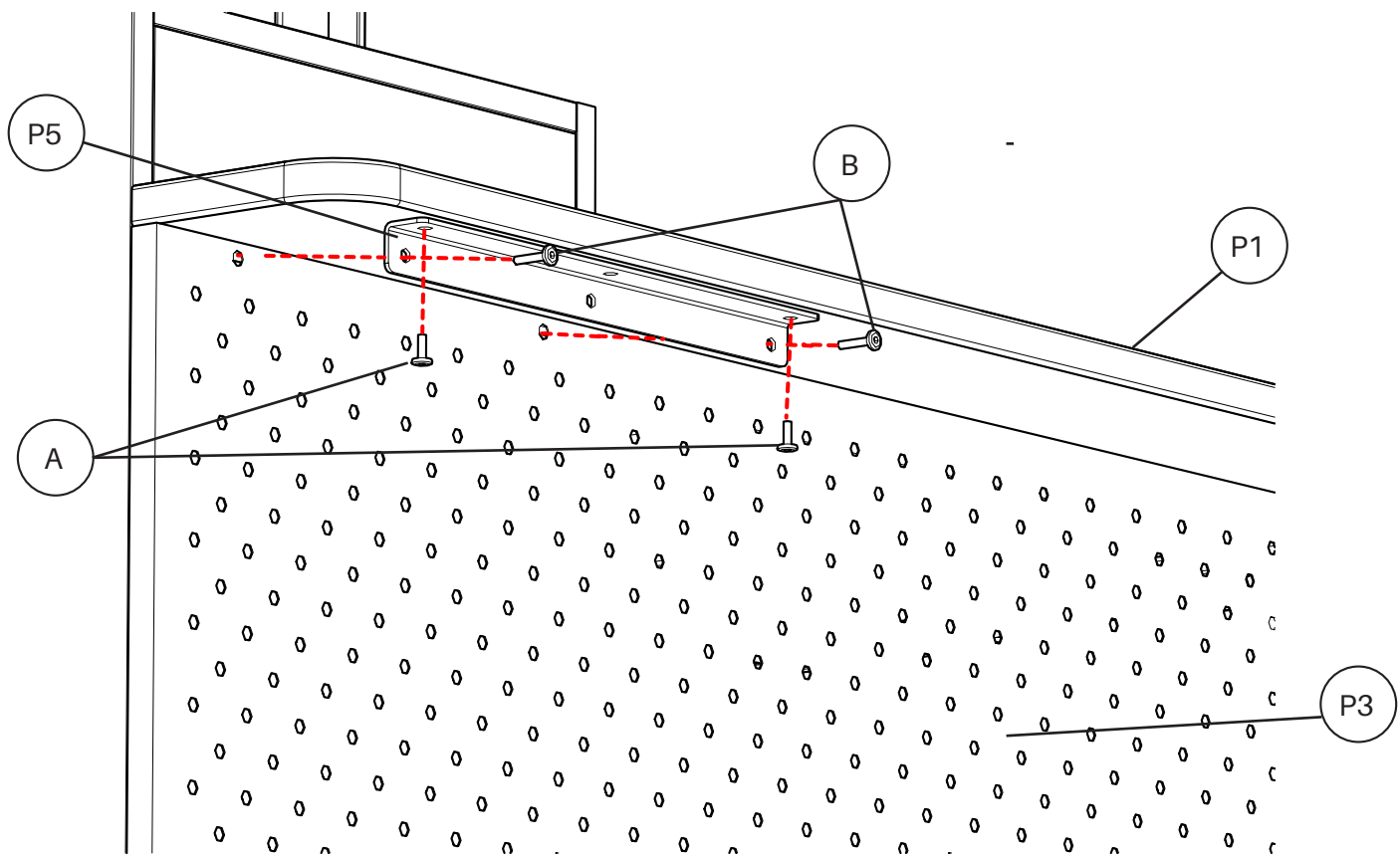
## STEP 5

Attach the Trend Desk #58229 assembly from Step #5 to the Trend Podium #58230 assembly using the extra hardware from the Trend Desk #58229. Attach the Modesty Panel (P-3) to the Podium's Back Panel using two Screws (B) through the bottom two holes in the Modesty Panel and into the the bottom threaded inserts in the Podium's Back Panel as shown in illustration #5.



## STEP 6

Attach the top of the Modesty Panel (P-3) to the Podium's Back Panel using two Screws (B) inserted through the Short Angle Support (P-5) and into the threaded inserts in the top of the Podium's back. Use two Screws (A) to attach the Angle Support to the Table Top (P-1).



## STEP 7

Use three Screws (A) through the Long Angle Support (P-4) that is attached to the bottom of the Table Top (P-1) and into the threaded inserts that are attached to the Left Side Panel of the Podium.

