

Product Numbers: SG.SPP.UPP.533948.NP.L-_____, SG.SPP.UPP.533948.NP.R-_____, SG.SPP.UPP.533948.P.L-_____,
 SG.SPP.UPP.533948.P.R-_____, SG.SPP.UPP.533962.P.R-_____, SG.SPP.UPP.533962.P.L-_____,
 SG.SPP.UPP.533962.NP.R-_____, SG.SPP.UPP.533962.NP.L-_____, SG.DPP.LAM.793666.P-_____,
 SG.DPP.UPP.793666.P-_____, SG.DPP.LAM.793666.NP-_____, SG.DPP.UPP.793666.NP-_____,
 SG.DPP.LAM.793648.P-_____, SG.DPP.UPP.793648.P-_____, SG.DPP.LAM.793648.NP-_____,
 SG.DPP.UPP.793648.NP-_____

Privacy Pod

OVERVIEW

The Double Privacy Pod is the perfect solution for working or studying in comfort.

SEAT AND WALL - FRAME

Frames are made of 3/4" CDX plywood with 2" x 7/8" air dried poplar hardwood for internal applications. Glue used in framing is Hi-Tac water-based wood adhesive. Backs are attached to seat frames with multiple 5/16" x 18 T-nuts and 5/16" x 18 x 2" NC Grade A RoHS compliant bolts with RoHS compliant 5/16" flat washers. Framing wood is stapled with both wide crown framing Staples, 1" crown x 5/8" length galvanized, and regular framing staples, 5/16" crown x 1 1/2" length galvanized. 3mm MDF facing is used for side panels.

FOAM

Seat foam core is 3.5" 2.5 density 40 ILD with 1/2" cap. Back foam core is 2.0" 1.4 density 40 ILD with 1/2" cap. All other foam, including side panel on upholstered versions, is 1/2" 1.4 density 40 ILD

STITCHING AND UPHOLSTERY

Top stitching (double stitching) on all upholstered items. A minimum of 7 stitches per inch. All threads are Tristar Nylbond HB 16 oz.

Upholstery by Momentum, Mayer, Spradlng, and Culp is offered for all of our soft seating options. Upholstery is attached with 3/8" x 3/8" length fine wire galvanized staples and is protected with the Elite 200 dust cover.

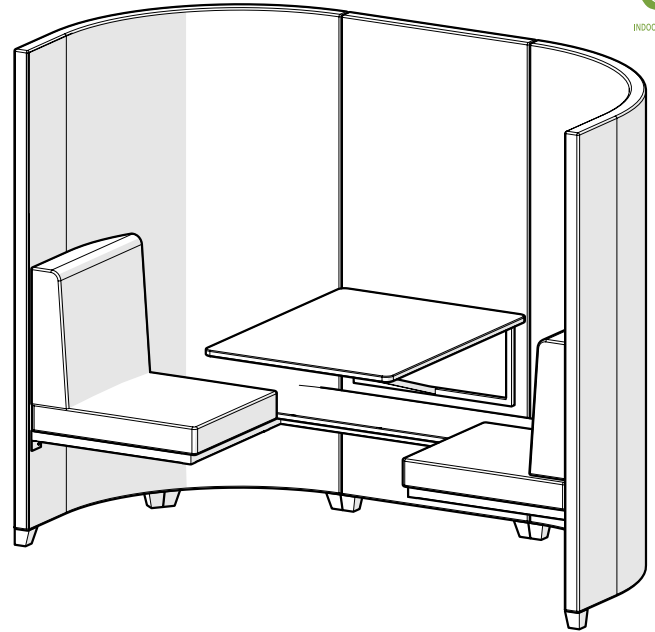
WORK SURFACE

Work surface for the Double Privacy Pod is 33.25" x 25.75" x 1". The table is supported on the wall, at 28" high, with two 14 Ga steel angle brackets, attached to the surface with six #10 x 1" screws and to the side panel with eight #10 x 1" screws. Screws are machine screws with a metal to metal connection.

For the Single Privacy Pod the work surface is 22" x 31.75" x 1" with a 26.25" radius on one corner to match the side panel. It is supported with four M10 x 50mm bolts, at 28" high, by a 1.25" square 14 Ga steel tube weldment attached to the side panel with six M12 x 50 mm bolts.

FRAME

Steel frame is a 1.25" square 14 Ga tube weldment attached to the side panel through 3mm thick plates with fifteen / thirty M12 x 50mm bolts (single / double). Seats are attached to the frame with four M10 x 50mm bolts each.



SIDE TABLE

Side tables match the curve of the side panel and are 1" thick with a maximum depth of 12.75". Side tables are attached to the steel frame with four / three M10 x 50mm bolts (single / double).

OPTIONS / ACCESSORIES

- Available with integrated electrical outlets
- Available with laminate or fabric walls
- Available in a 62" 'tall' or 48" 'short' model
- Single Pods available in left- or right-handed orientation

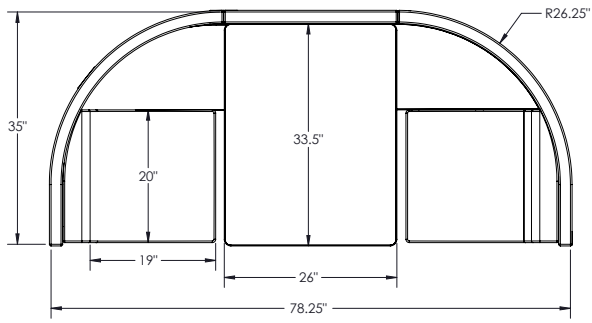
LAMINATE AND EDGE BAND

See attached material guide for all options.

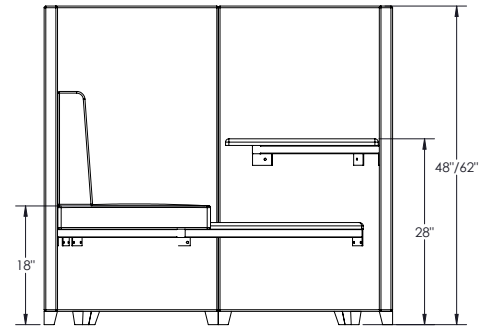
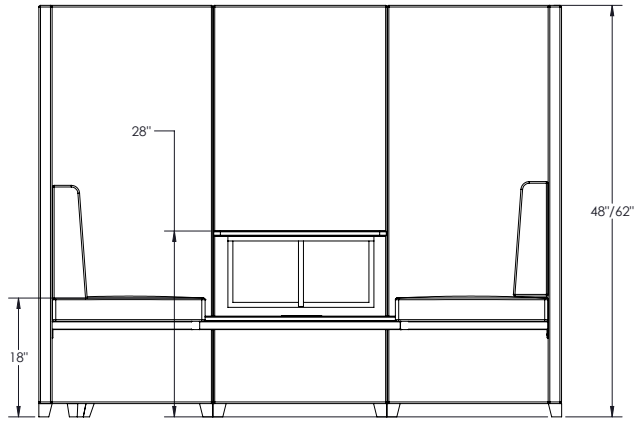
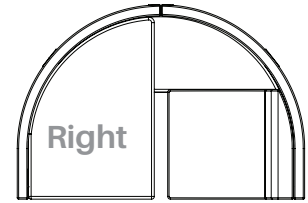
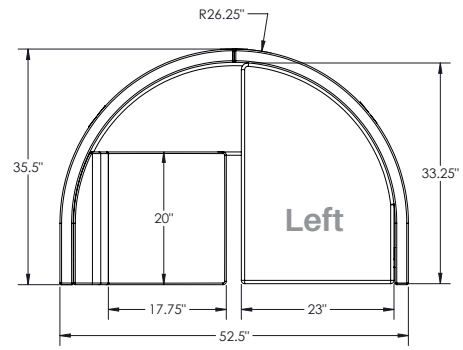
COMPLIANCE

Bolts and washers used in framing are Grade A RoHS Compliant
 Plywood Frames are CARB II Compliant
 Fully meets CA 117-2013 standards

Double Pod



Single Pod



DIMENSIONS:

Part Number	Single/Double	Short/Tall	Wall Material	Handedness (Single)	Power
SG.SPP.UPP.533948.NP.L-_____	Single	Short	Standard	Left	No
SG.SPP.LAM.533948.NP.L-_____	Single	Short	Laminate	Left	No
SG.SPP.UPP.533948.NP.R-_____	Single	Short	Standard	Right	No
SG.SPP.LAM.533948.NP.R-_____	Single	Short	Laminate	Right	No
SG.SPP.UPP.533948.P.L-_____	Single	Short	Standard	Left	Yes
SG.SPP.LAM.533948.P.L-_____	Single	Short	Laminate	Left	Yes
SG.SPP.UPP.533948.P.R-_____	Single	Short	Standard	Right	Yes
SG.SPP.LAM.533948.P.R-_____	Single	Short	Laminate	Right	Yes
SG.SPP.UPP.533962.P.R-_____	Single	Tall	Standard	Right	Yes
SG.SPP.LAM.533962.P.R-_____	Single	Tall	Laminate	Right	Yes
SG.SPP.UPP.533962.P.L-_____	Single	Tall	Standard	Left	Yes
SG.SPP.LAM.533962.P.L-_____	Single	Tall	Laminate	Left	Yes
SG.SPP.UPP.533962.NP.R-_____	Single	Tall	Standard	Right	No
SG.SPP.LAM.533962.NP.R-_____	Single	Tall	Laminate	Right	No
SG.SPP.UPP.533962.NP.L-_____	Single	Tall	Standard	Left	No
SG.SPP.LAM.533962.NP.L-_____	Single	Tall	Laminate	Left	No
SG.DPP.LAM.793666.P-_____	Double	Tall	Laminate		Yes
SG.DPP.UPP.793666.P-_____	Double	Tall	Standard		Yes
SG.DPP.LAM.793666.NP-_____	Double	Tall	Laminate		No
SG.DPP.UPP.793666.NP-_____	Double	Tall	Standard		No
SG.DPP.LAM.793648.P-_____	Double	Short	Laminate		Yes
SG.DPP.UPP.793648.P-_____	Double	Short	Standard		Yes
SG.DPP.LAM.793648.NP-_____	Double	Short	Laminate		No
SG.DPP.UPP.793648.NP-_____	Double	Short	Standard		No

