

Makerspace 3D Printer Cart

Model No: 91413

CART BODY:

Cart body consists of laminate panels with 12 Ga vertical steel ribbed supports painted platinum. Base, top, and side table are 18mm Gray Nebula washable laminate with platinum edgeband and are secured to one another with a combination of screws, wood dowells, and cam locks. 15mm Side panels are white laminate with 18mm wide plastic rails. 15mm hinged door has a metal pull and keyed cam lock. Carts receive four 15 mm shelves fit with 0.2"x 0.75" shelf pins to two heights to accommodate three small and two large plastic bins. Cart has six 5mm thick steel wire hangers for spool storage fastened with two 1/4" x 12mm screws each.

HANDLES:

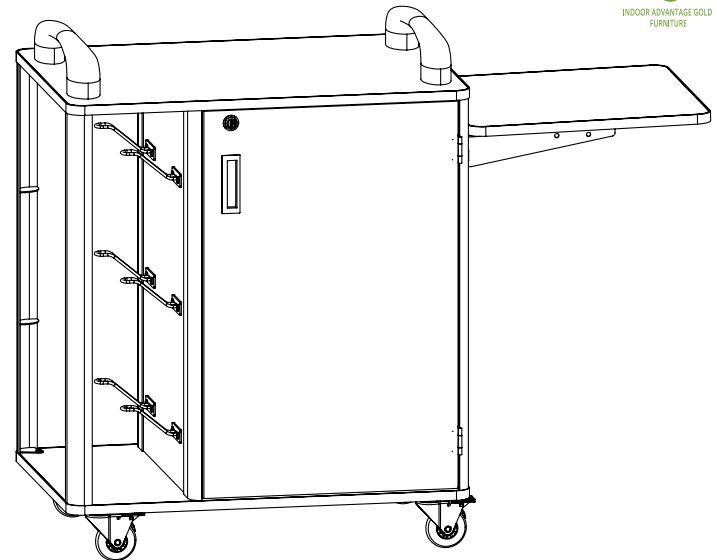
Cart has two large plastic handles on cart top that come standard in black but are available separately in hierarchy colors. Handles use two M6 x 38mm screws each to secure to top of cart.

SIDE TABLE:

Removable side table is supported by 14 Ga steel brackets that insert into slots in side panel. Table surface measures 18" x 18".

CASTERS:

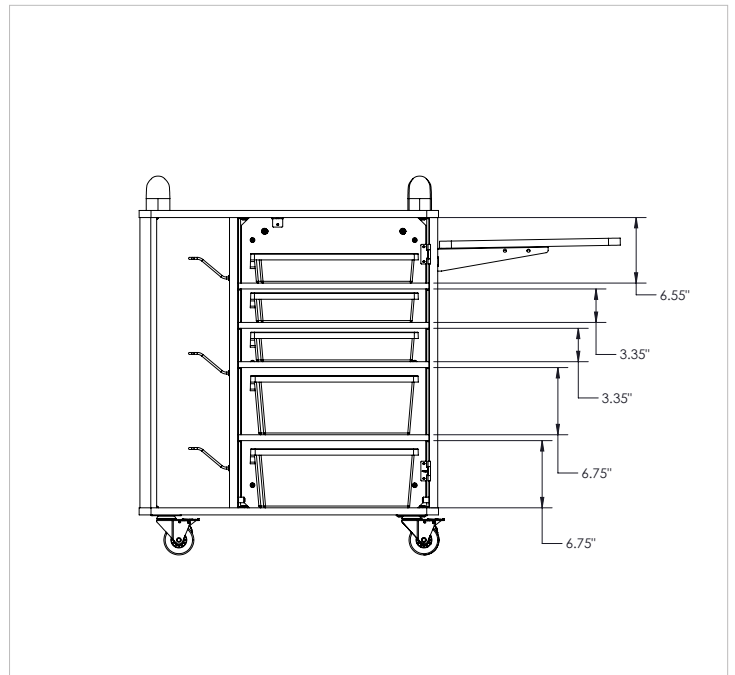
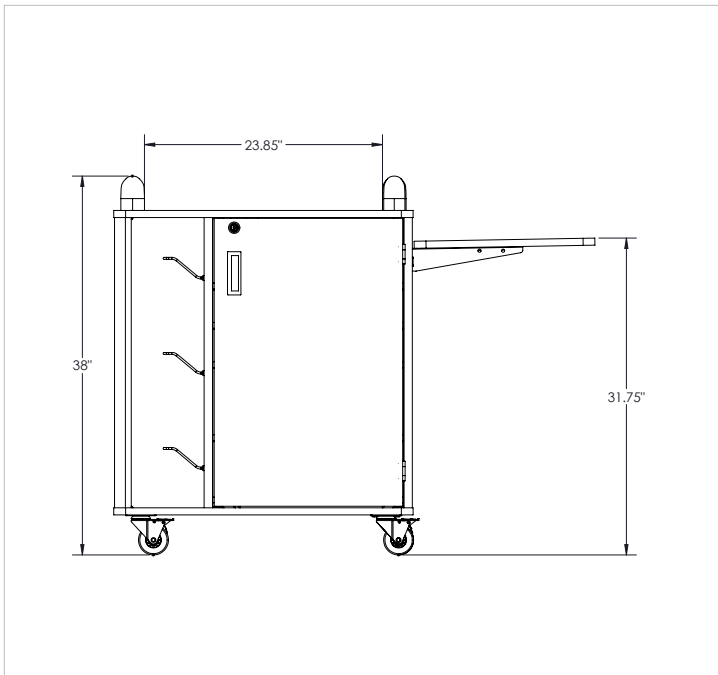
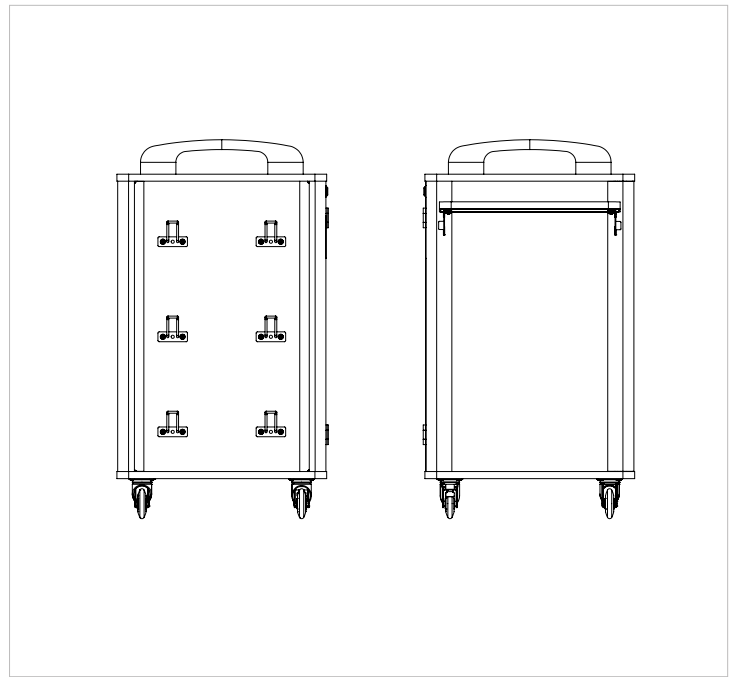
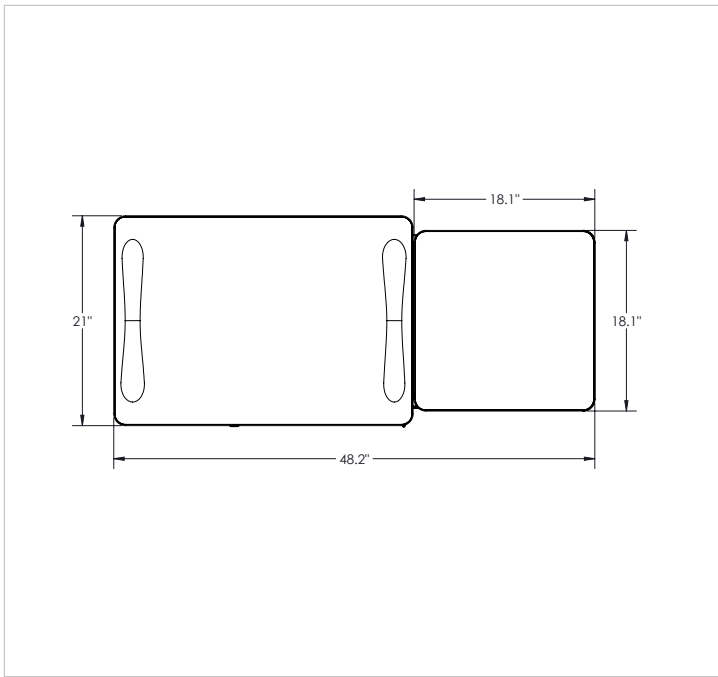
Cart uses four 3" skate casters that are secured to base with four 1/4" x 12mm allen screws each and come two locking and two non-locking.



COMPLIANCE:

SCS Indoor Advantage Gold certified.

Meets or exceeds BIFMA testing.



DIMENSIONS:

Base Model No.	Description	Height	Width	Depth
91413	Makerspace 3D Printer Cart	38"	48.1"	21"

ACCESSORIES:

Base Model No.	Description
91674-XXXX	Makerspace Large Handle - Hierarchy Color