

Beta Cart

Model No: 27614

CENTER POST & ARM ACCESSORIES

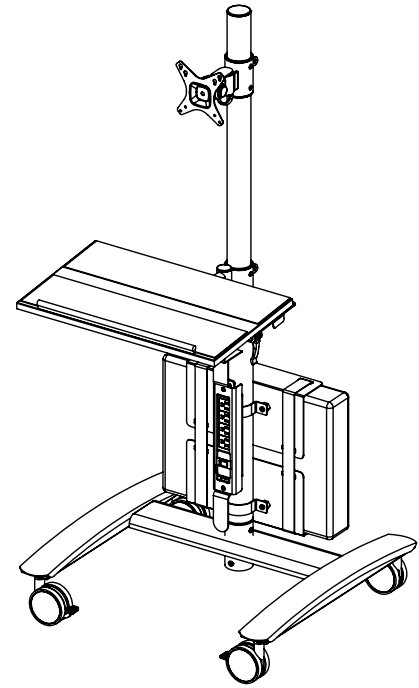
Fixed height center post is 16 Gauge round tube that inserts into steel sleeve in base with four M6 x 15mm side screws and a single M10 x 40mm bolt screwed into threaded metal inserts of both steel tubes. Secured to post are 4mm thick sliding sleeves with attachments to support adjustable monitor mount and keyboard shelf that clamp to center post with cam handles. Shelf features non-slip EVA pad. CPU holder consists of two 14 Gauge steel brackets, each individually clamped to post and featuring two security straps.

BASE

Base is formed from a 16 Gauge rectangular steel tube crossbar with 16 Gauge curved steel cover piece in between two feet. Feet are constructed using a 14 Gauge steel U-shaped bottom and 16 Gauge steel U-shaped top, welded together. 2mm thick steel plates with threaded inserts are welded into feet to receive casters.

CASTERS

Casters are 83mm diameter, dual wheel with two locking and two non-locking.



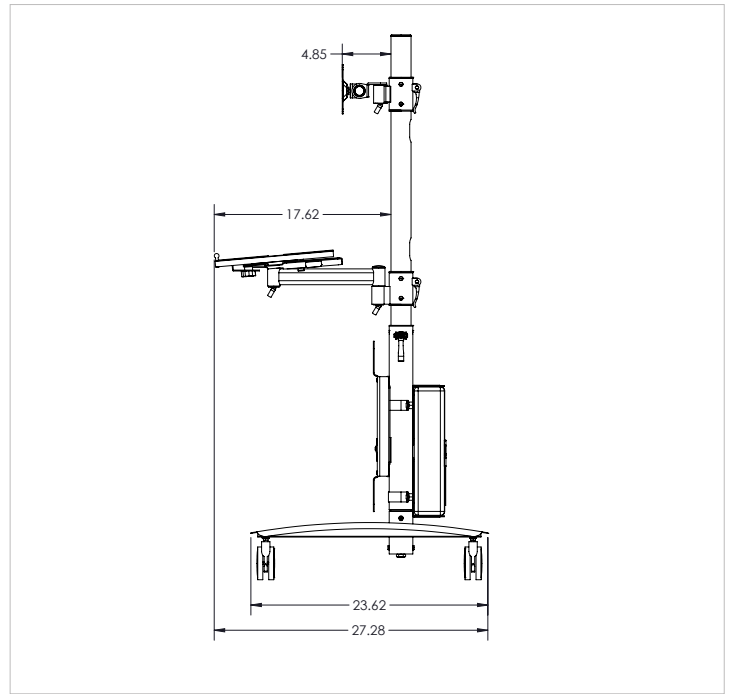
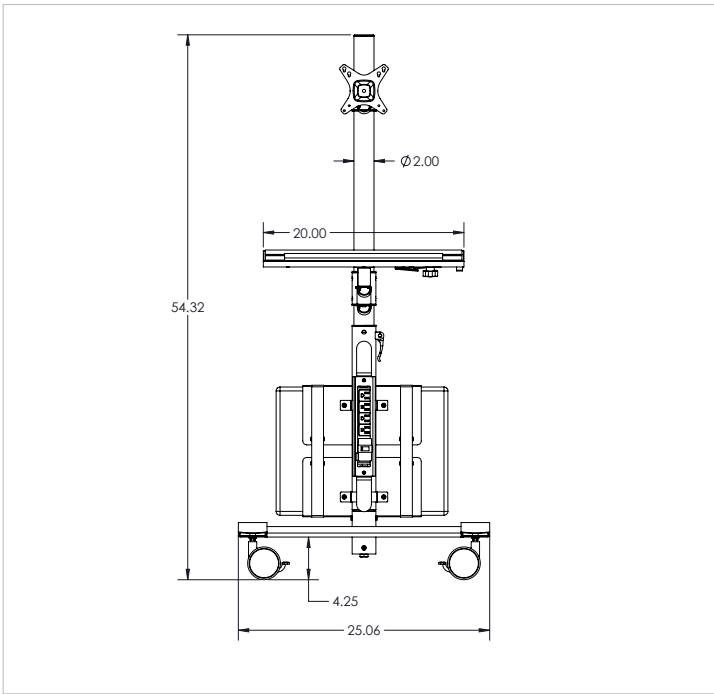
COMPLIANCE:

SCS Indoor Advantage Gold certified.

VESA COMPATIBILITY:

75MM X 75MM

100MM X 100MM



DIMENSIONS:

Base Model No.	Description	Height Range	Width	Depth
27614	Beta Sit-Stand Workstation	54" - 67"	32"	33"

ACCESSORIES:

Base Model No.	Description
27617	Dual Monitor Mount