

## Hierarchy Desks

Model No: 17X3TX-XXXX, 17X3UX-XXXX

### OVERVIEW:

Hierarchy desks are available in different sizes that nest together based on a standard system of curves.

### TOP:

The top is made of 1 1/8" Particleboard Core with 3mm Flat Vinyl T-Mold Edge. The work surface is constructed of 45# particleboard core with high pressure laminate (HPL) top surface and phenolic backer sheet for balanced construction. 1 1/8" 3mm flat vinyl t-mold is secured to the work surface with brad nails along the perimeter. Stretcher bars are standard on tops 60" long and longer.

### LEG RECEIVER:

The 1.5" diameter 14 gauge powder coated leg receiver is welded to a 10 gauge steel top plate and two 12 gauge fins for strength. Legs are directly mounted to the top with six #10 x 1" wood screws.

### LEG INSERT:

The leg insert is a 34mm 17-gauge chrome plated steel tube with welded in threaded glide insert.

### GLIDES / CASTERS:

Legs are standard with nylon glides that have 3/4" height adjustment range for leveling, and an M10 threaded stem. 50mm single-hard wheel casters with a M10 threaded stem are available for easy field installation in locking and non-locking. Casters add 3" of height to the table.

### HEIGHT ADJUSTMENT:

Adjustment range is from 22"-32" in 1" increments for standard legs and 12"-18" for kids height legs. Two M6 x 15MM low profile socket head screws with an allen drive are used to tighten the leg at the chosen height.



### OPTIONS / ACCESSORIES:

- Available with Black or Platinum powder coat legs.
- Optional casters available to replace glides.
- Optional backpack hook available.
- Optional clamp mount outlets available.
- Optional wire and enclosed book boxes available.
- Optional tote tray for enclosed storage available.
- Optional cup holder available.

### COMPLIANCE:

- Indoor Advantage Gold certified.
- Meets or exceeds ANSI/BIFMA standards.

### LAMINATE OPTIONS:



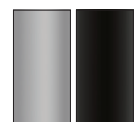
Amber Cherry Asian Night Castle Oak Fusion Maple Graphite Nebula Gray Elm Gray Nebula Low Line White Board

### EDGE COLORS:



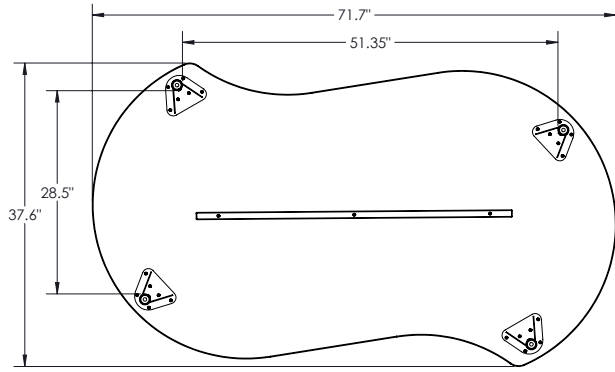
Black Platinum Cool Gray Purple Navy Blue Green Yellow Orange Red

### LEG COLORS:

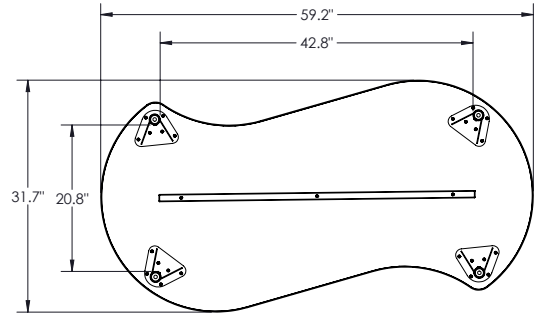


Platinum Black

## SMALL TWISTER



## LARGE TWISTER



## DIMENSIONS:

Base Model No.	Description	Height - Min. "	Height - Max. "	Overall Dimensions "
17X3UX-XXXX	Small Twister Desk	22" (12" Kids Height)	32" (18" Kids Height)	71.7" x 37.6"
17X3TX-XXXX	Large Twister Desk	22" (12" Kids Height)	32" (18" Kids Height)	59.2" x 31.7"

## ACCESSORIES:

Base Model No.	Description
66654 / 66659	Student Desk Casters (Non-Locking / Locking)
66661 / 66662	Wire Book Box (Black / Chrome)
66632 / 66633	Enclosed Book Box (Black / Platinum)
83530	Tote Tray
66669	Pack Hook (set of 2)
59019	Student Desk Cup Holder
66675	Clamp Mount Outlet & USB Charger