

## Shapes Desks

Model No: 11XX6X-XXXX, 11XX5X-XXXX, 11XXRX-XXXX, 11XXSX-XXX, 11XXAX-XXX

### OVERVIEW:

Easy to configure desk and table for all ages, sizes, and left- or right-handed users that is specifically designed to support a variety of learning modes in your instructional spaces.

### TOP:

The top is made of 1 1/8" Particleboard Core with 3mm Flat Vinyl T-Mold Edge. The work surface is constructed of 45# particleboard core with high-pressure laminate (HPL) top surface and phenolic backer sheet for balanced construction. 1 1/8" 3mm flat vinyl t-mold is secured to the work surface with brad nails along the perimeter. Overall top thickness of 1.25".

### LEG RECEIVER:

The 1.5" diameter 14 gauge powder coated leg receiver is welded to a 10 gauge steel top plate and two 12 gauge fins for strength. Legs are directly mounted to the top with six #10 x 1" wood screws.

### LEG INSERT:

The leg insert is a 34mm 17-gauge chrome plated steel tube with welded in threaded glide insert.

### GLIDES / CASTERS:

Legs are standard with nylon glides that have 3/4" height adjustment range for leveling, and an M10 threaded stem. 50mm single urethane wheel casters with a M10 threaded stem are available for easy field installation in locking and non-locking. Casters add 3" of height to the desk.

### HEIGHT ADJUSTMENT:

Adjustment range is from 22"-32" in 1" increments for standard legs and 12"-18" for kids height legs. Two M6 x 15MM low profile socket head screws with an allen drive are used to tighten the leg at the chosen height.



### OPTIONS / ACCESSORIES:

All Shapes Desk tops are available with a variety of laminate and edgeband options, as well as black or platinum legs.

Optional accessories include a pair of casters, backpack hook, enclosed book box, ganging device, and clamp mounted electrical unit.

### COMPLIANCE:

Indoor Advantage Gold certified.

All Shapes Desks pass BIFMA table and leg static load tests as well as leg pull test requirements.

### LAMINATE OPTIONS:



Amber Cherry Asian Night Castle Oak Fusion Maple Graphite Nebula Gray Elm Gray Nebula Low Line White Board

### EDGE COLORS:



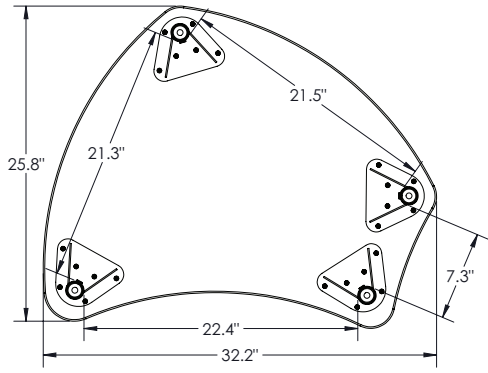
Black Cool Gray Purple Navy Blue Green Yellow Orange Red

### LEG COLORS:

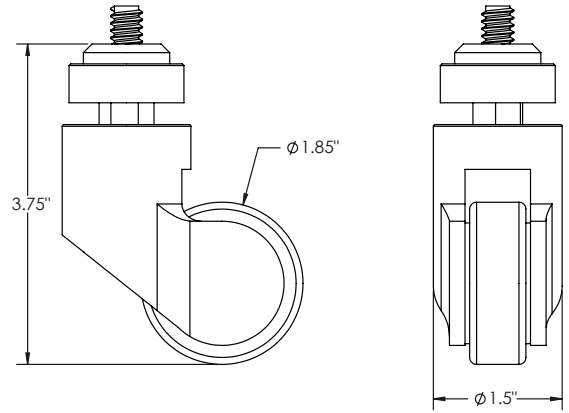


Platinum Black

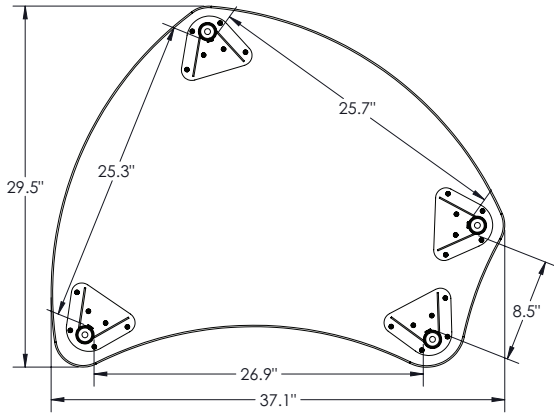
### 11XX5X (STANDARD)



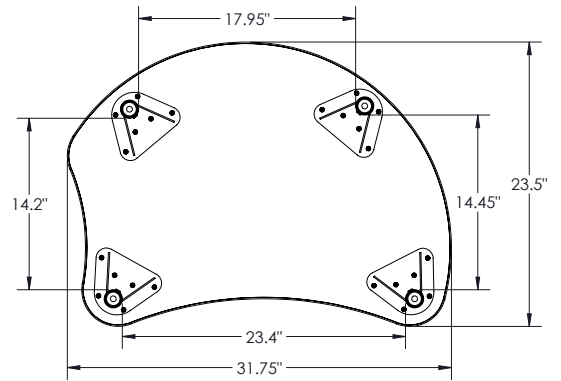
### 66654/66659



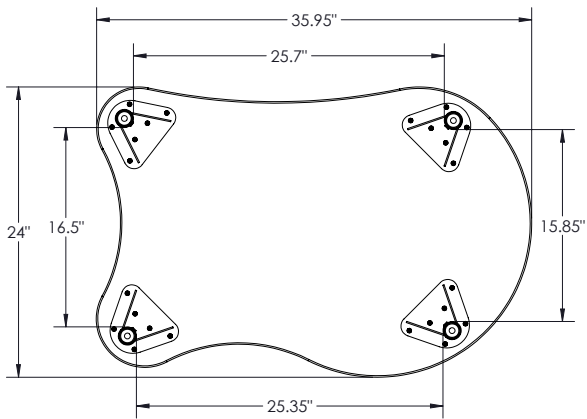
### 11XX6X (LARGE)



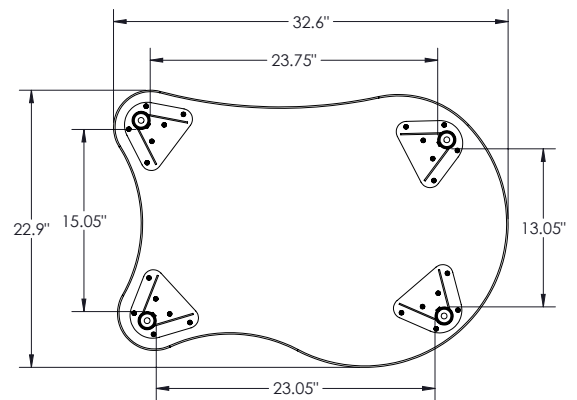
### 11XXAX (SAIL)



### 11XXSX (LARGE FENDER)



### 11XXRX (STANDARD FENDER)



## DIMENSIONS:

Base Model No.	Description	Height - Min. "	Height - Max. "	Overall Depth "	Overall Width "
11XX6X-XXXX	Large Shapes Desk	22" (12" Kids Height)	32" (18" Kids Height)	29.5"	37.1"
11XX6X-XXXX	Standard Shapes Desk	22" (12" Kids Height)	32" (18" Kids Height)	25.8"	32.2"
11XXRX-XXXX	Standard Fender Desk	22" (12" Kids Height)	32" (18" Kids Height)	22.9"	32.6"
11XXSX-XXXX	Large Fender Desk	22" (12" Kids Height)	32" (18" Kids Height)	24"	35.95"
11XXAX-XXXX	Sail Desk	22" (12" Kids Height)	32" (18" Kids Height)	23.5"	31.75"

## ACCESSORIES:

Base Model No.	Product Name
66654, 66659	Casters (No Lock/Lock)
66669	Pack Hook
66661, 66662	Wire Book Box (Black/Chrome)
59019	Cup Holder
66675	Clamp Mount Electrical
83530	Tote Tray
66640	Ganging Device