

Seed 4-Leg with Casters

Product No: SG.SD.W.16.6XX.7XX.HC, SG.SD.W.16.6XX.7XX.SC,
SG.SD.W.18.6XX.7XX.HC, SG.SD.W.18.6XX.7XX.SC

SHELL

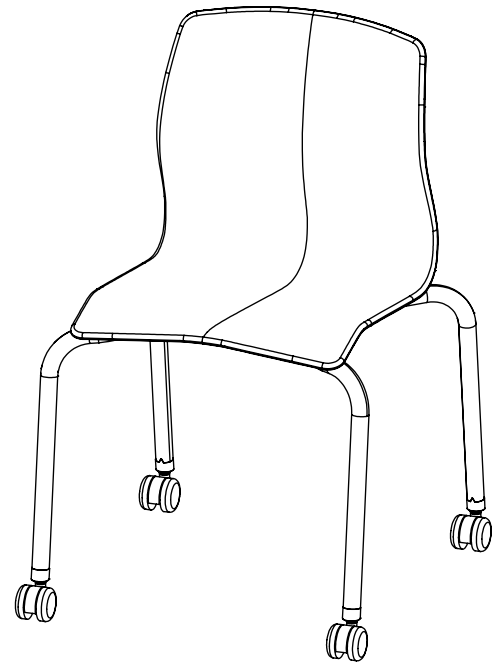
Seat is designed as a single-piece injection-molded shell of polypropylene with integrated attachment features including a structural front hook, rear snaps, and screw bosses.

FRAME

Four-leg frame is constructed of two 1" diameter 14 ga steel tubes connected by a 0.75" diameter 16 ga steel tube crossbar. This crossbar fits into the front hook of the shell. Welded between the two leg tubes is a 12 ga steel bracket. Two integrated snaps on the underside of the shell clip into slots in the bracket. The bracket is also screwed into the shell with four #10 x 5/8" plastite screws. Poly shell chairs are rated for use up to 250lbs. Frame is available in three powder coat finish options.

CASTERS

Chair has four 50mm nylon dual-wheeled hard casters. Optionally available with soft casters.

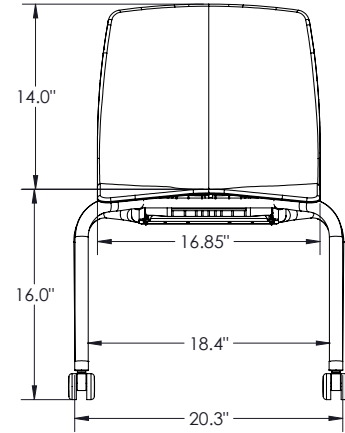
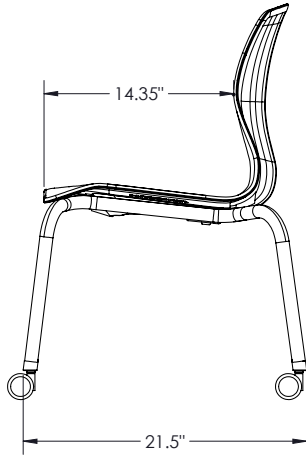


COMPLIANCE

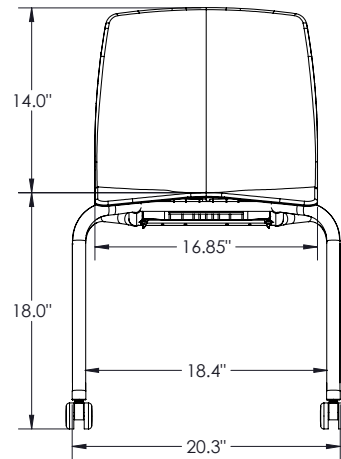
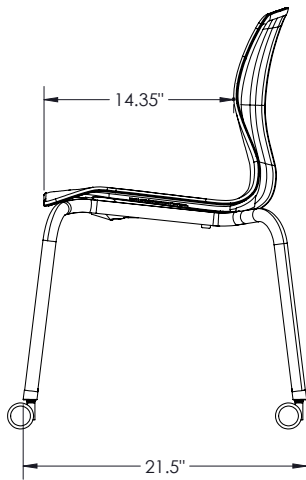
SCS Indoor Advantage Gold certified.

Meets or exceeds BIFMA testing.

SG.SD.W.16.6XX.7XX.XX



SG.SD.W.18.6XX.7XX.XX



DIMENSIONS:

Base Model No.	Description	Seat Height	Overall Depth	Overall Width
SG.SD.W.16.6XX.7XX.SC	Seed - 4-Leg Caster Frame - Soft Casters 16"	16"	21.5"	20.3"
SG.SD.W.18.6XX.7XX.SC	Seed - 4-Leg Caster Frame - Soft Casters 18"	18"	21.5"	20.3"
SG.SD.W.16.6XX.7XX.HC	Seed - 4-Leg Caster Frame - Hard Casters 16"	16"	21.5"	20.3"
SG.SD.W.18.6XX.7XX.HC	Seed - 4-Leg Caster Frame - Hard Casters 18"	18"	21.5"	20.3"



Vanerum North America
 2885 Lorraine Avenue | Temple, TX 76501
 p: 800.749.2258 | f: 866.888.7483
 www.vanerumna.com