

Seed 5-Star Stool

Product No: SG.SD.5P.ST.6XX.HC, SG.SD.5A.ST.6XX.HC
SG.SD.5P.ST.6XX.SC, SG.SD.5A.ST.6XX.SC

SHELL

Seat is designed as a single-piece injection-molded shell of polypropylene with integrated attachment features including a structural front hook, rear snaps, and screw bosses.

CONTROL MECHANISM

A pneumatic adjustable cylinder assembly is attached to the base and control assembly. The control assembly is constructed of a control bracket made of a single formed 12 gauge steel bracket that is bolted to a die cast aluminum control with four (4) 5/16-18 x 1.375" long bolts. The steel bracket clips to integrated snaps on the seed shell and is screwed into the shell with five #10 x 1" plastite screws. The stool receives an adjustable 24" diameter foot ring located on the column assembly. Poly shell chairs are rated for use up to 250lbs.

CASTERS

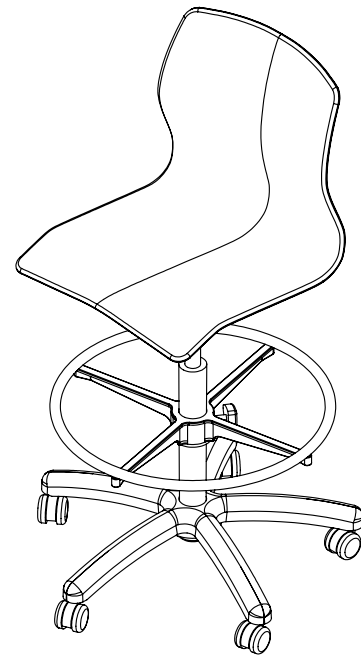
Stool has five 50mm nylon dual-wheeled hard casters. Optionally available with soft casters.

BASE

5-Star base is made of reinforced nylon and receives the adjustable column assembly and casters. Optionally available in aluminum.

CYLINDER

The 5-Star Stool comes with a 300N black painted cylinder that adjusts the seat height from 22.5" to 33.5"



OPTIONS

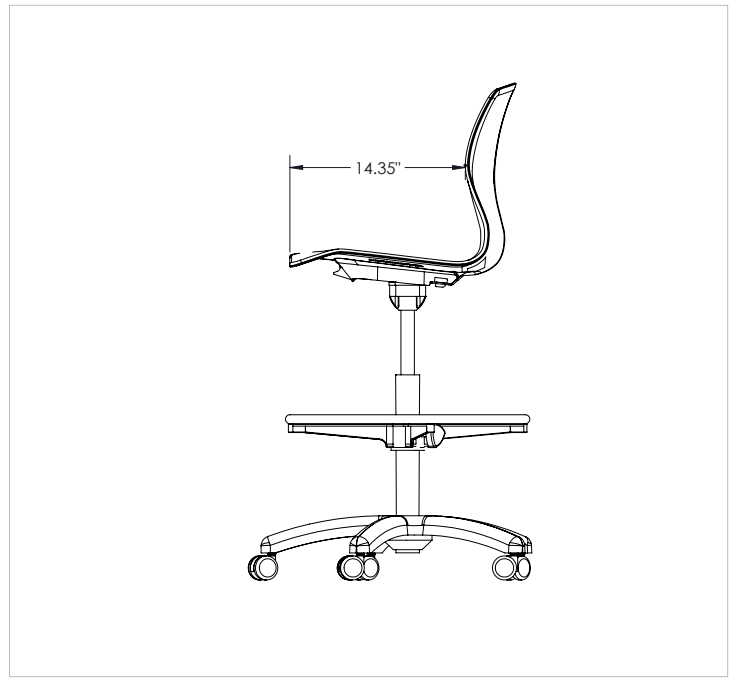
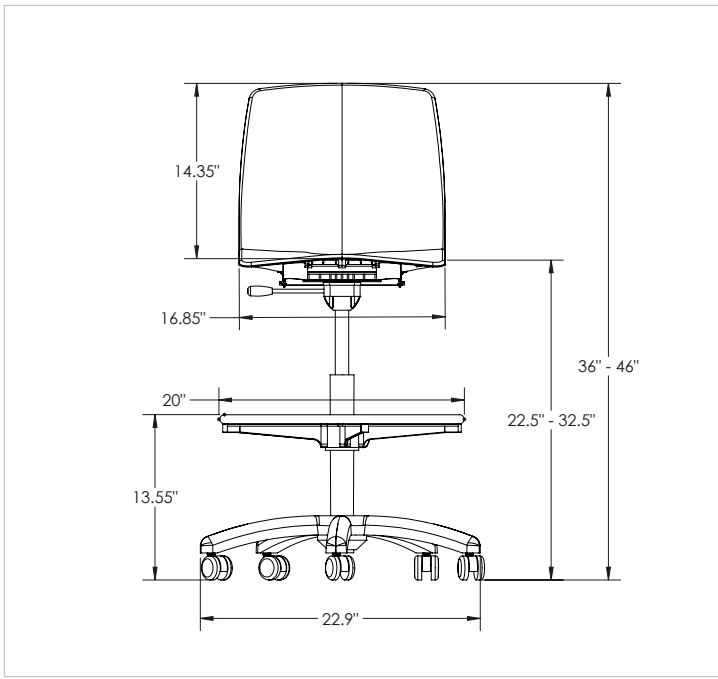
Available in plastic or aluminum.

Available with hard or soft casters.

COMPLIANCE

SCS Indoor Advantage Gold certified.

Meets or exceeds BIFMA testing.



DIMENSIONS:

Base Model No.	Description	Seat Height Range	Overall Width/Depth	Overall Height Range
SG.SD.5P.ST.6XX.HC	Seed - 5-Star Stool Base - Plastic Base - Hard Casters	22.5" - 32.5"	22.9"	36" - 46"
SG.SD.5A.ST.6XX.HC	Seed - 5-Star Stool Base - Aluminum Base - Hard Casters	22.5" - 32.5"	22.9"	36" - 46"
SG.SD.5P.ST.6XX.SC	Seed - 5-Star Stool Base - Plastic Base - Soft Casters	22.5" - 32.5"	22.9"	36" - 46"
SG.SD.5A.ST.6XX.SC	Seed - 5-Star Stool Base - Aluminum Base - Soft Casters	22.5" - 32.5"	22.9"	36" - 46"



Vanerum North America
 2885 Lorraine Avenue | Temple, TX 76501
 p: 800.749.2258 | f: 866.888.7483
 www.vanerumna.com