

Seed 5-Star Chair

Product No: SG.SD.5P.SE.6XX.HC, SG.SD.5P.SE.6XX.SC,
SG.SD.5A.SE.6XX.HC, SG.SD.5A.SE.6XX.SC

SHELL

Seat is designed as a single-piece injection-molded shell of polypropylene with integrated attachment features including a structural front hook, rear snaps, and screw bosses.

CONTROL

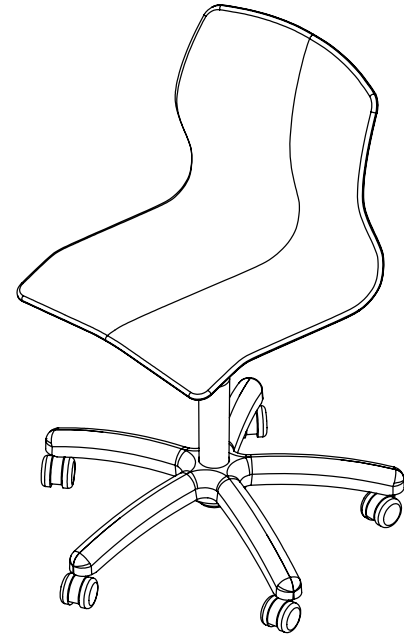
A pneumatic adjustable cylinder assembly is attached to the base and control assembly. The control assembly is constructed of a control bracket made of a single formed 12 gauge steel bracket that is bolted to a die cast aluminum control with four (4) 5/16-18 x 1.375" long bolts. The steel bracket clips to integrated snaps on the seed shell and is screwed into the shell with five # 10 x 1" plastite screws. Poly shell chairs are rated for use up to 250lbs.

CASTERS

Chair has five 50mm nylon dual-wheeled hard casters. Optionally available with soft casters.

BASE

5-Star base is made of reinforced nylon and receives the adjustable column assembly and casters. Optionally available in aluminum.



CYLINDER

The 5-Star Chair comes with a 300N black painted cylinder that adjusts the seat height from 16" - 21.125".

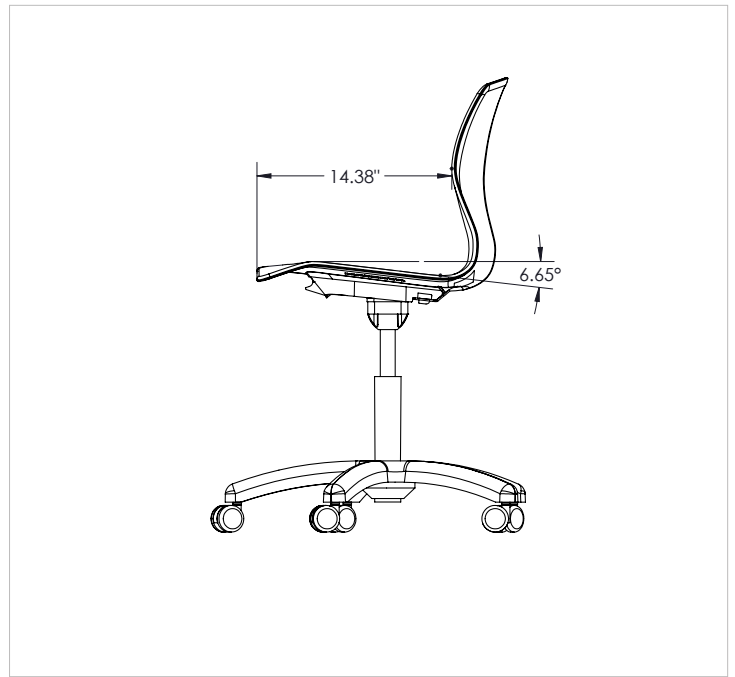
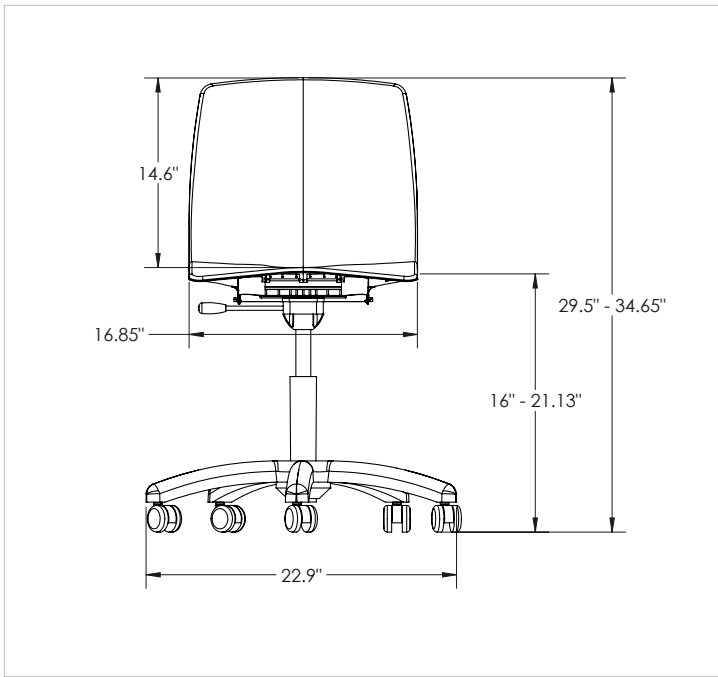
OPTIONS

Available in plastic or aluminum.

Available with hard or soft casters.

COMPLIANCE

Meets or exceeds ANSI/BIFMA



DIMENSIONS:

Base Model No.	Description	Seat Height Range	Overall Width/Depth	Overall Height Range
SG.SD.5P.SE.6XX.HC	Seed - 5-Star Chair - Plastic Base - Hard Casters	16" - 21.13"	22.9"	29.5" - 34.65"
SG.SD.5P.SE.6XX.SC	Seed - 5-Star Chair - Plastic Base - Soft Casters	16" - 21.13"	22.9"	29.5" - 34.65"
SG.SD.5A.SE.6XX.HC	Seed - 5-Star Chair - Aluminum Base - Hard Casters	16" - 21.13"	22.9"	29.5" - 34.65"
SG.SD.5A.SE.6XX.SC	Seed - 5-Star Chair - Aluminum Base - Soft Casters	16" - 21.13"	22.9"	29.5" - 34.65"



Vanerum North America
 2885 Lorraine Avenue | Temple, TX 76501
 p: 800.749.2258 | f: 866.888.7483
 www.vanerumna.com