

## Seed Cantilever Chair

Product No: SG.SD.C.16.6XX.7XX.XX, SG.SD.C.18.6XX.7XX.XX

### SHELL

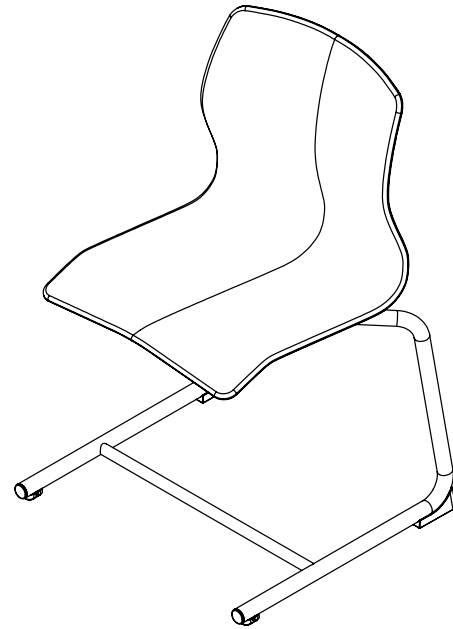
Seat is designed as a single-piece injection-molded shell of polypropylene with integrated attachment features including a structural front hook, rear snaps, and screw bosses.

### FRAME

Cantilever frame is constructed of two 1" diameter 14 ga steel tubes, connected by a .75" diameter 14 ga steel tube used to snap into the frame. A .75" 14 ga steel crossbar connects the tubes at the bottom of the frame. The shell uses integrated snaps to attach to a welded 12 ga steel bracket with two built-in clips. The bracket is also screwed in with two #10 x 1" plastite screws. Poly shell chairs are rated for use up to 250lbs. Frame is available in three powder coat finish options.

### GLIDES

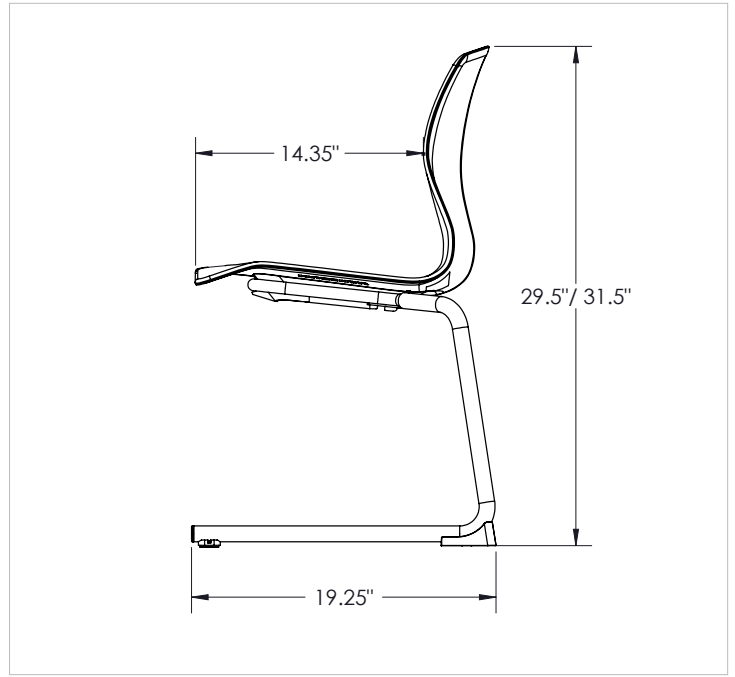
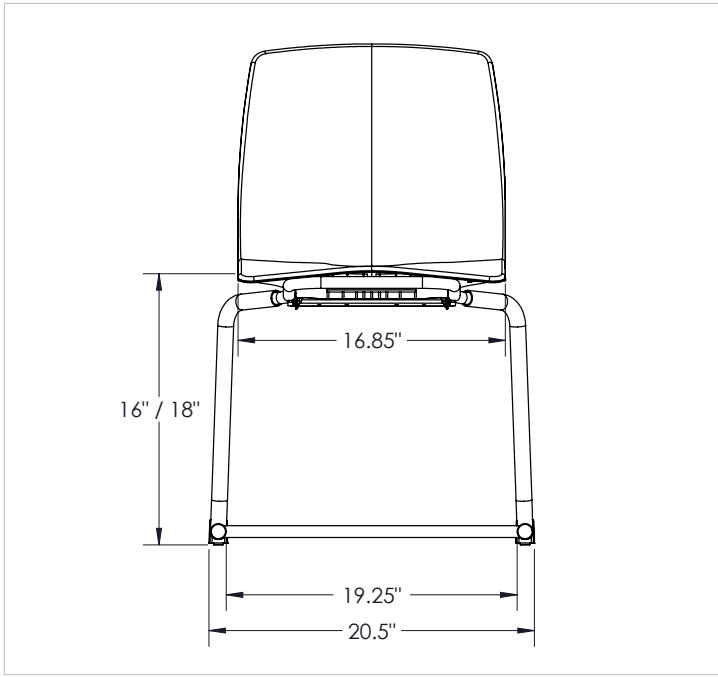
Glides at the bottom corners of the frame are 100% nylon and attached to the steel tubing with one rivet each. Glides also feature replaceable nylon glide inserts.



### COMPLIANCE

SCS Indoor Advantage Gold certified.

Meets or exceeds BIFMA testing.



**DIMENSIONS:**

Base Model No.	Description	Seat Height	Overall Depth	Overall Width
SG.SD.C.16.6XX.7XXX	Seed - Cantilever Frame - 16"	16"	19.25"	20.5"
SG.SD.C.18.6XX.7XXX	Seed - Cantilever Frame - 18"	18"	19.25"	20.5"