

TRIOS TABLES



The Trios Table combines versatility with modern design to create the perfect multi-use table.

FEATURES & BENEFITS:

- Choose from nearly limitless combinations of frame options, table tops, and accessories to best suit your environment.
- Available in fixed height or adjustable height frames.
- Trios Tables are available with optional grommets and modesty panel.
- All Trios Tables come with a sturdy 1-1/8" laminate top available in a wide variety of rectangular sizes.
- Platinum frame standard. Black and charcoal may have extended lead times.
- SCS Indoor Advantage Gold Certified.



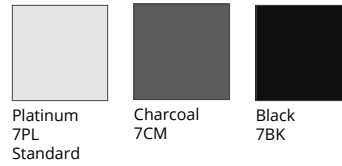
VANERUM
NORTH AMERICA

TRIOS TABLES TECHNICAL SPECIFICATIONS

AVAILABLE BASE OPTIONS

- T-Leg fixed height (29.5"H)
- Adjustable T-Leg (26"-35"H)
- Flip Top T-Leg (29.5"H)
- Arch T-Leg (29.5"H)
- Adjustable Arch T-Leg (26"-35"H)
- Flip Top Arch T-Leg (29.5"H)
- C-Leg fixed height (29.5"H)
- Adjustable C-Leg (26"-35"H)
- Glides or casters

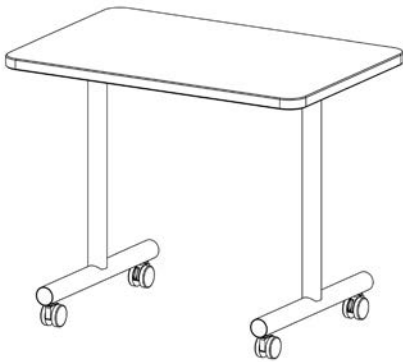
FRAME



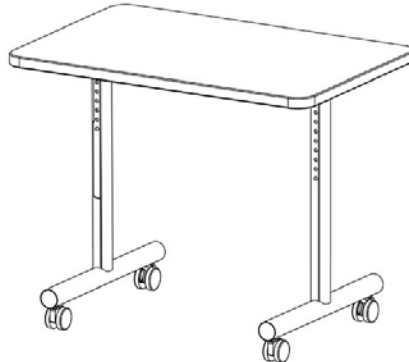
TABLETOP LAMINATE OPTIONS

Please view our web site for a full list of available laminate options:

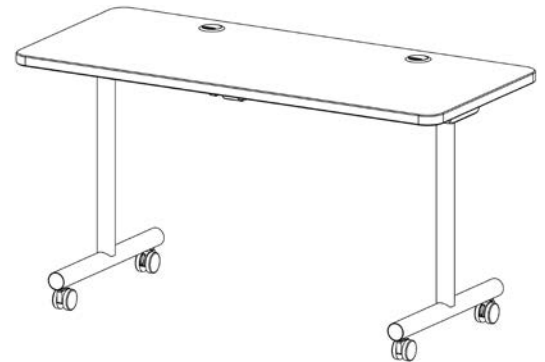
<https://www.moorecoinc.com/materials-finishes/>



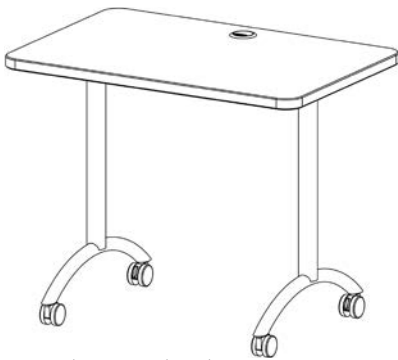
T-Leg Fixed Height



Adjustable T-Leg



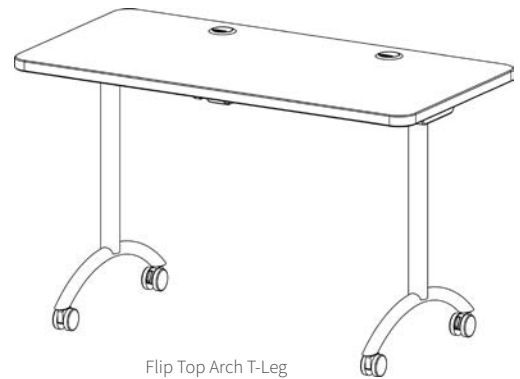
Flip Top T-Leg



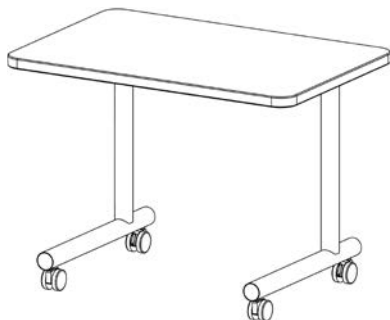
Arch T-Leg Fixed Height



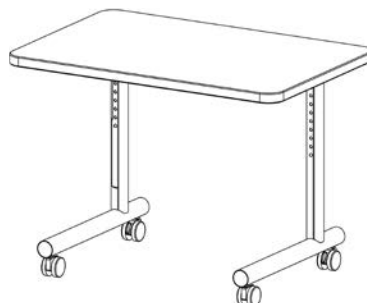
Adjustable Arch T-Leg



Flip Top Arch T-Leg



C-Leg Fixed Height



Adjustable C-Leg