



# Product Specifications

## Grow and Roll™ Table

Product Number: 59041 - A, B, C

### OVERVIEW

The Grow and Roll Table is a sturdy, mobile, height-adjustable table with a sleek platinum finish.

### TOP

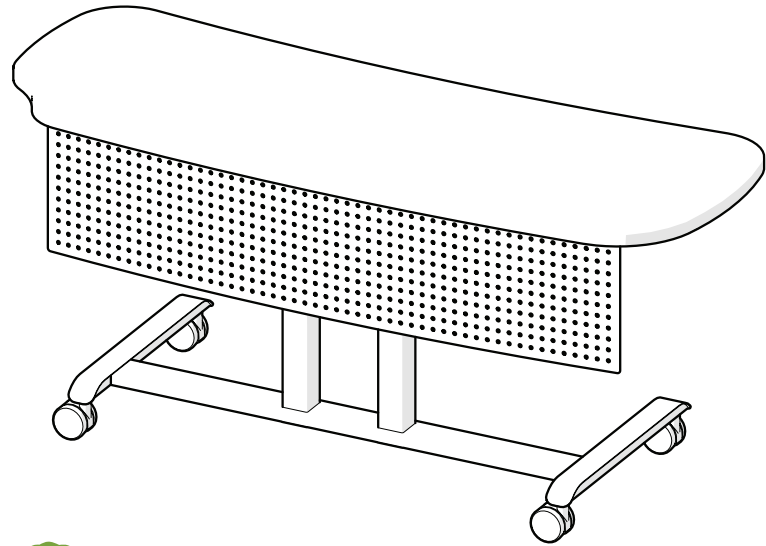
The top is made of 1 1/8" Particleboard Core with 3mm Flat Vinyl T-Mold Edge. The work surface is constructed of 45# particleboard core with high pressure laminate (HPL) top surface and phenolic backer sheet for balanced construction. 1 1/8" 3mm flat vinyl t-mold is secured to the work surface with brad nails along the perimeter. Stretcher bars are standard on tops 60" long and longer.

### FRAME

The base is three sections of 10 Ga steel, platinum powder coated, tube welded together, two feet and a cross-tube. The two feet are 1.125" x 2.25" x 21.5" and are welded to a 12 Ga steel plate that covers the length of each foot. The cross-tube is 1.125" x 2.75" x 24" and has two 8 Ga 2.5" square steel plates welded to support the pneumatic cylinders. These cylinders are attached to the base with four M8 x 25mm screws and lock washers each. They are made up of three telescoping sections of 14 Ga steel tube at 2.375" square, 2.0" square, and 1.75" square respectively. Welded to the top of the pneumatic cylinders are 10 Ga steel plates that measure 5.5" x 6.69". Eight #10 x 1" wood screws attach these steel plates to the table top. Four 75mm locking casters are attached to the base of the table with M8 x 15mm threaded stems. Fully assembled, the table has a range of 15.75 inches and can be set to any height between 26.5" and 42.25".

### MECHANISM

The table adjusts by a single handed lever release. The lever activates two 150N pneumatic cylinders by way of braided steel cable.



### OPTIONS/ACCESSORIES

Modesty Panel available in one size that fits all table shape options and comes powder coated in platinum. Panels are constructed from 18 Ga sheet steel, and secured with six #10 x 1" phillips woods screws drilled directly into underside of table.

### LAMINATE OPTIONS:



Amber Cherry Asian Night Castle Oak Fusion Maple Graphite Nebula Gray Elm Gray Nebula Low Line White Board

### EDGE BAND COLORS:

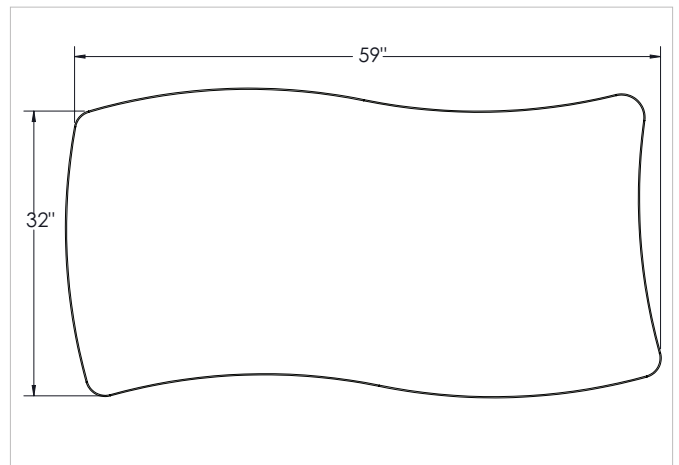
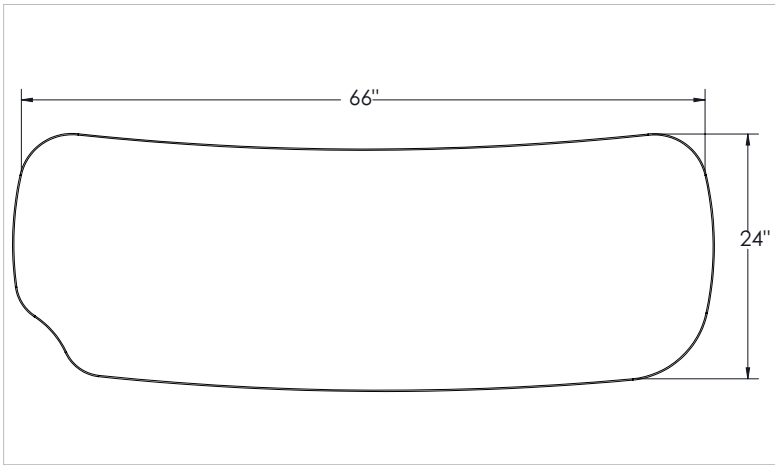
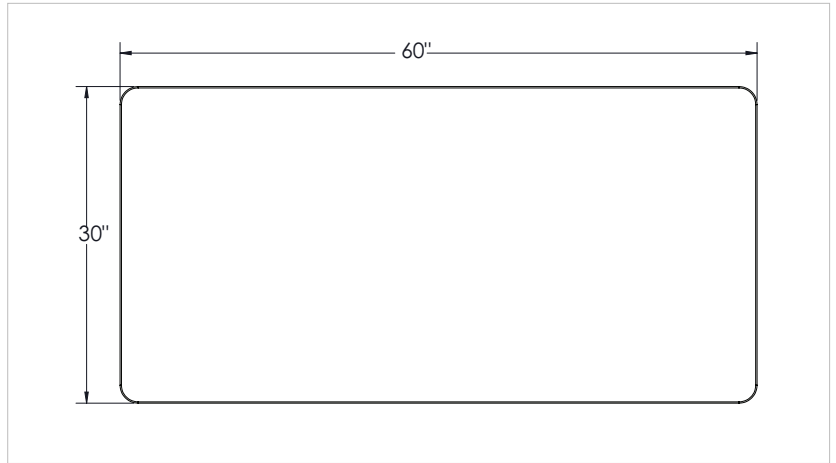
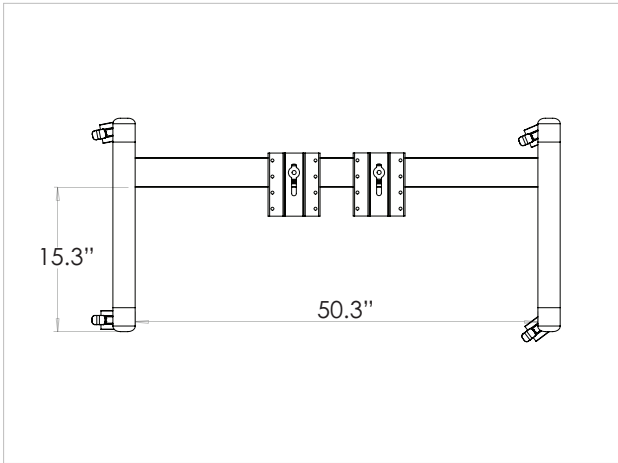
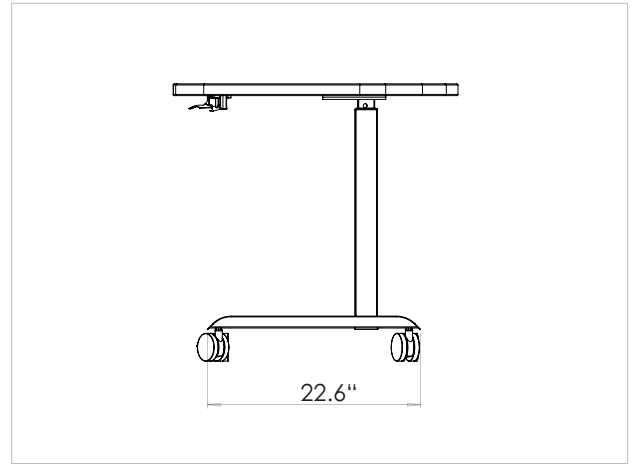
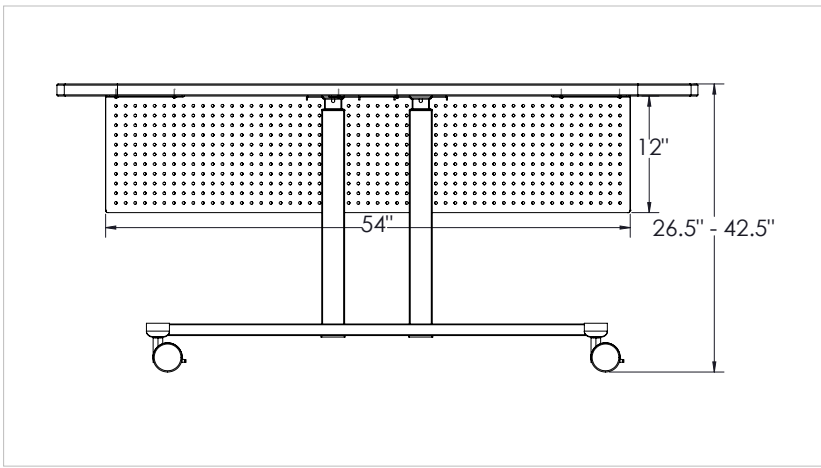


Black Platinum Cool Gray Purple Navy Blue Green Yellow Orange Red

### FRAME/PANEL:



Platinum



**DIMENSIONS:**

Base Model No.	Description	Height Range	Width	Depth
59041 - A	Hierarchy Grow and Roll - Table- Rectangle Top	26.5" - 42.25"	60"	30"
59041 - B	Hierarchy Grow and Roll - Table- Wavy Rectangle Top	26.5" - 42.25"	59"	32"
59041 - C	Hierarchy Grow and Roll - Table- Bean Top	26.5" - 42.25"	66"	24"

**OPTIONS/ACCESSORIES:**

Base Model No.	Description
66285	Modesty Panel for Grow and Roll Tables



MooreCo | Vanerum North America  
 2885 Lorraine Avenue | Temple, TX 76501  
 p: 800.749.2258 | f: 866.888.7483  
[www.moorecoinc.com](http://www.moorecoinc.com) | [www.vanerumnorthamerica.com](http://www.vanerumnorthamerica.com)