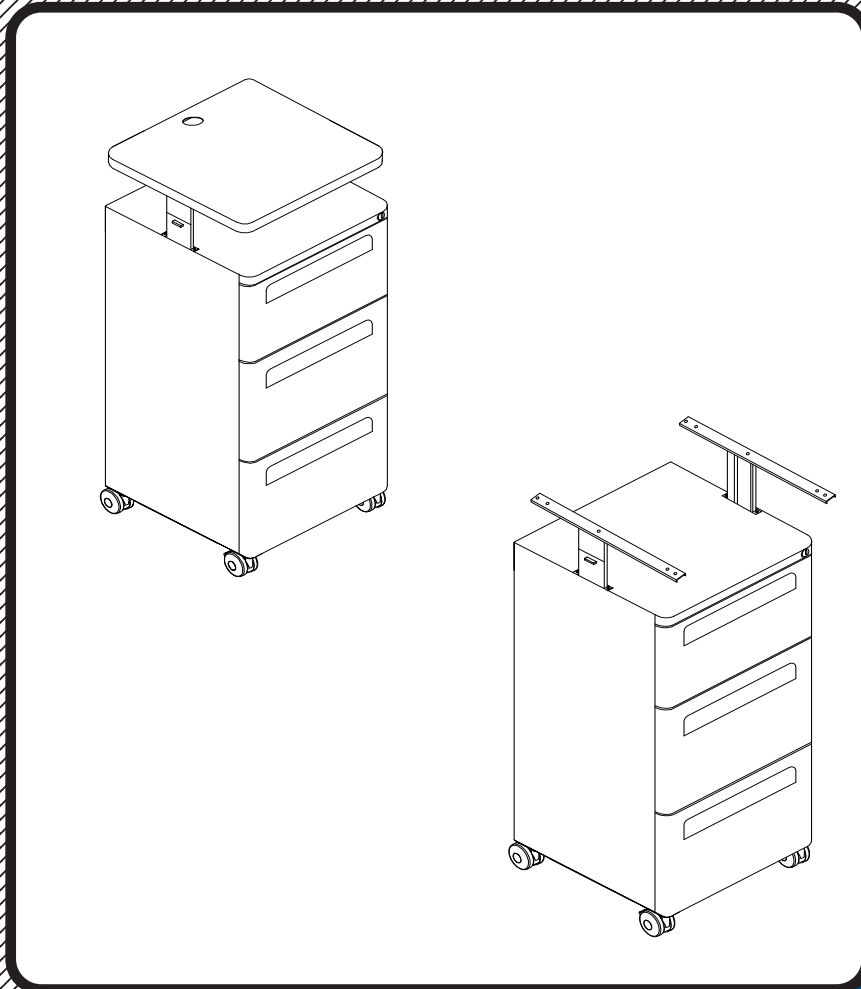
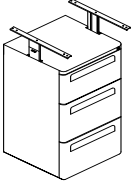
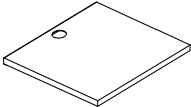
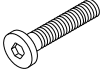


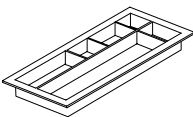

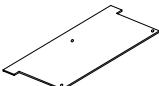



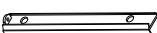


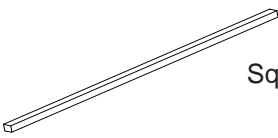



# Modular Pedestal Free Standing and Pedestal Desk



## Assembly Instructions

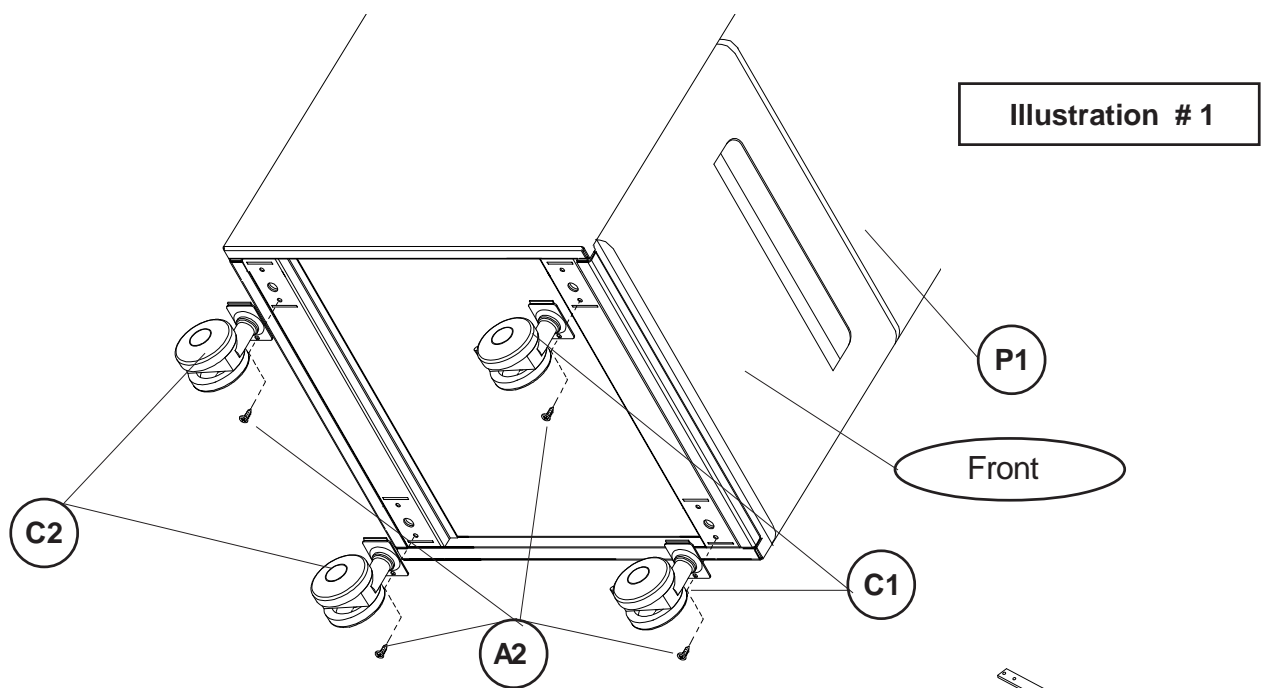
# Modular Pedestal-Free Standing

Part	Drawing	Description	Qty	Part	Drawing	Description	Qty
P-1		Pedestal Box	1 EA	<b>Hardware List</b>			
P-2		Top	1 EA	A		Screw 1/4 X 38mm	4 EA
P-3		Top Support Tube	2 EA	A2		Screw M5*25mm -Caster	4 EA
P-4		Tray	1 EA	B		CS 1/4X12mm -V Bracket	5 EA
P-5		Drawer Divider	1 EA	C 1		Locking Caster	2 EA
P-6		V Bracket- Inner Not Used on Free Standing Unit	1 EA	C 2		Caster	2 EA
P-7		V Bracket - Outer Not Used on Free Standing Unit	1 EA	D		Allen Wrench	1 EA
				E		Lock Keys	2 EA
				F		Square Timing Rod	1 EA
				G		Insert Cap	4 EA

# #90369 Modular Pedestal Assembly Instruction

**READ THROUGH INSTRUCTIONS FROM BEGINNING  
TO END BEFORE STARTING TO ASSEMBLE UNIT.**

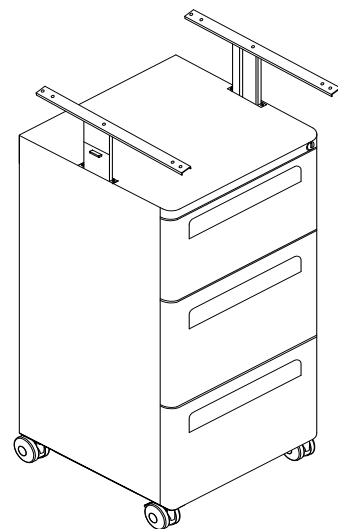
- 1.) Identify and Separate all the Parts and Hardware.
- 2.) Attach two Locking Casters (C1) to the front holes on the bottom of Base (P1) by inserting the side tab on the Caster's base into the slot and using one Screw (A2) to secure each. Repeat this step to attach the two Non-Locking Casters (C2) in the bottom rear slots and holes as shown in illustration #1. Tighten Screws with Phillips screw driver.



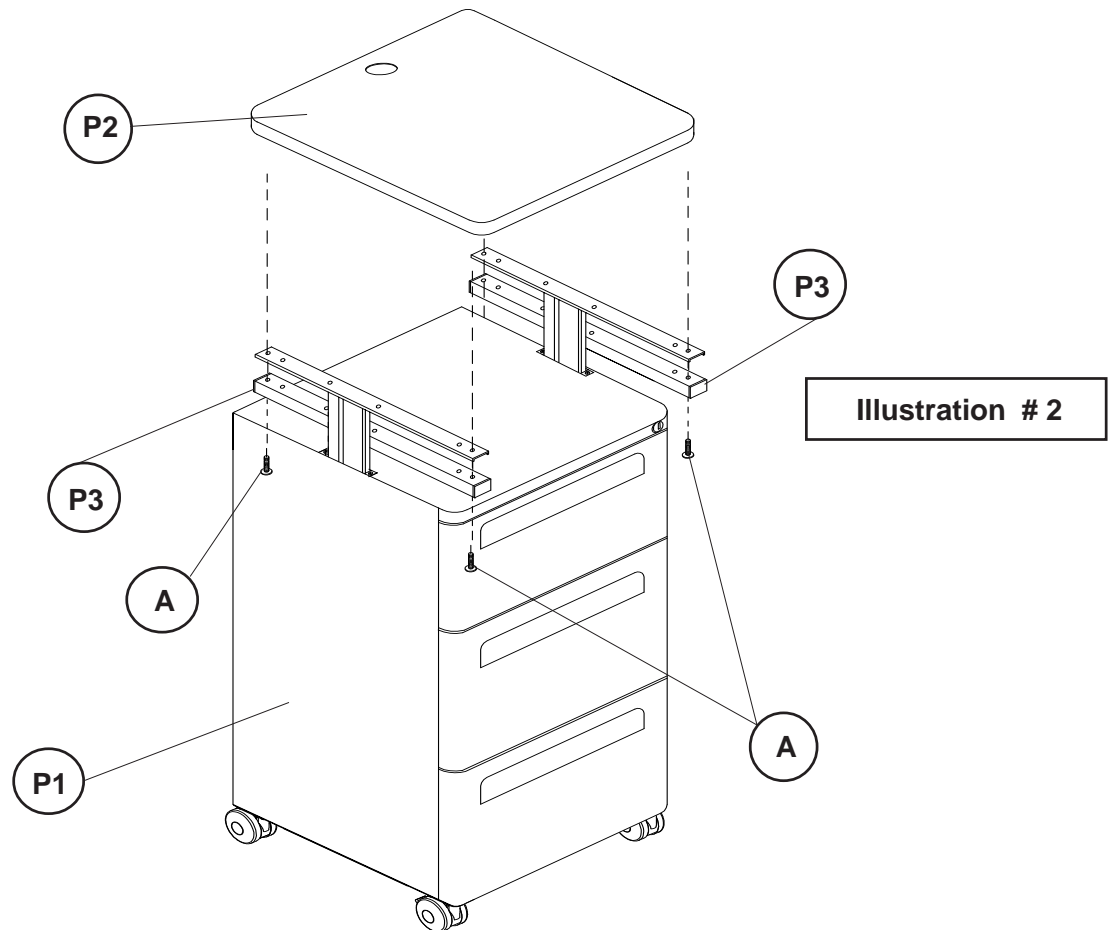
### 3.) SPECIAL NOTE:

Skip Step 4 and Step 6 if your Modular Pedestal will be used as part of a Modular Desk. It should look like illustration #1a.

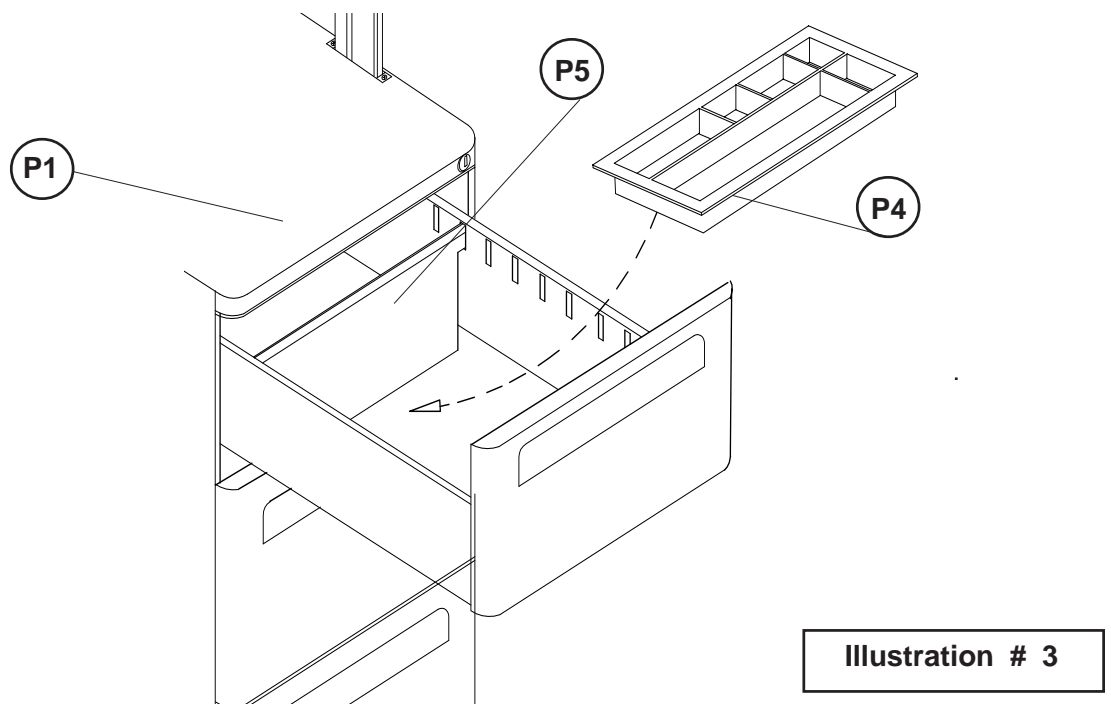
Illustration # 1a



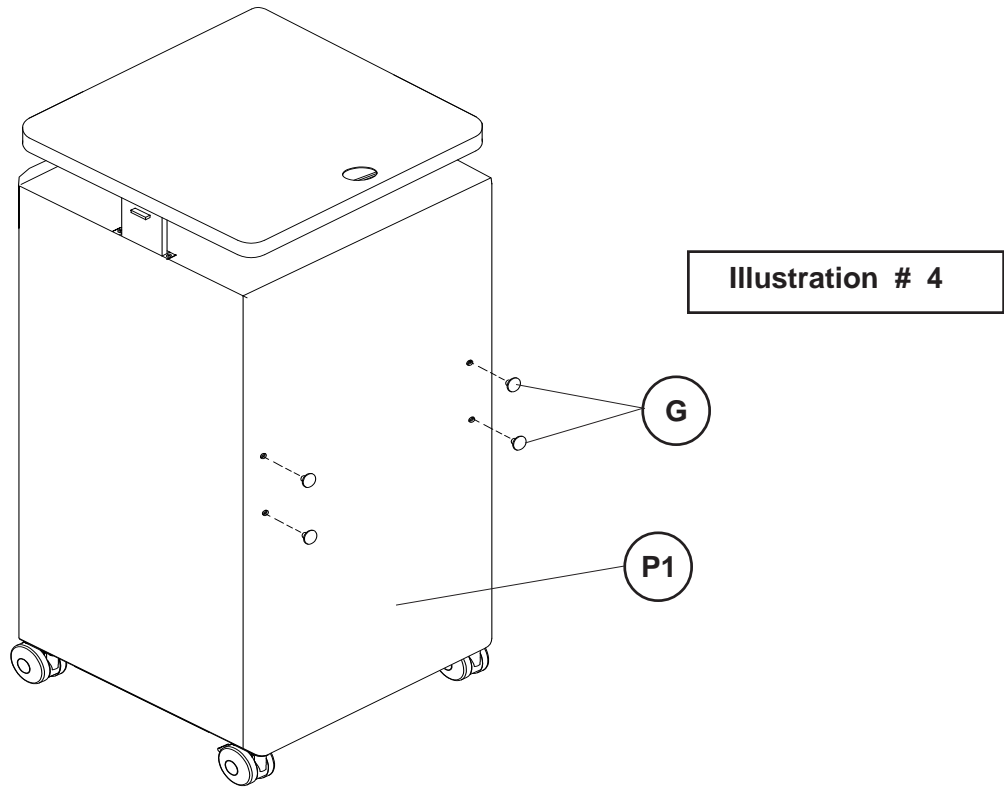
- 4.) Attach the Top (P2) to the Pedestal Box (P1) as shown in illustration #2. Insert two Screws (A) through one Top Support Tube (P3) and Pedestal Box's top mount bracket and into the holes in the bottom of the Top (P2). Repeat this Step to attach the other side.



- 5.) Place Tray (P4) and Drawer Divider (P5) into the top or middle drawers of Pedestal Box (P1).



6.) Press in four plastic Insert Caps (G) into the holes on the back of the Pedestal Box (P1) as shown in illustration #4.



7.) Raise the Pedestal's top to the highest position. Open the top drawer. Find the square hole recess at the top of one of the height adjustment mechanism. Insert the Square Timing Rod (F) into the square recess in one of the mechanism and then into the opposite side's mechanism.

