

Cognitiv Table

Model No: 90527-AJ-XXXX-XX

TOP:

The top is made of 1 1/8" Particleboard Core with phthalate free, 3mm flat vinyl T-mold edgeband. The work surface is constructed of 45# particleboard core with high-pressure laminate (HPL) top surface and phenolic backer sheet for balanced construction. Edgeband is secured to the work surface with brad nails along the perimeter. 12 gauge steel stretcher bars are included with Cognitiv Table tops and receive three #10 x 1" wood screws.

LEG RECEIVER:

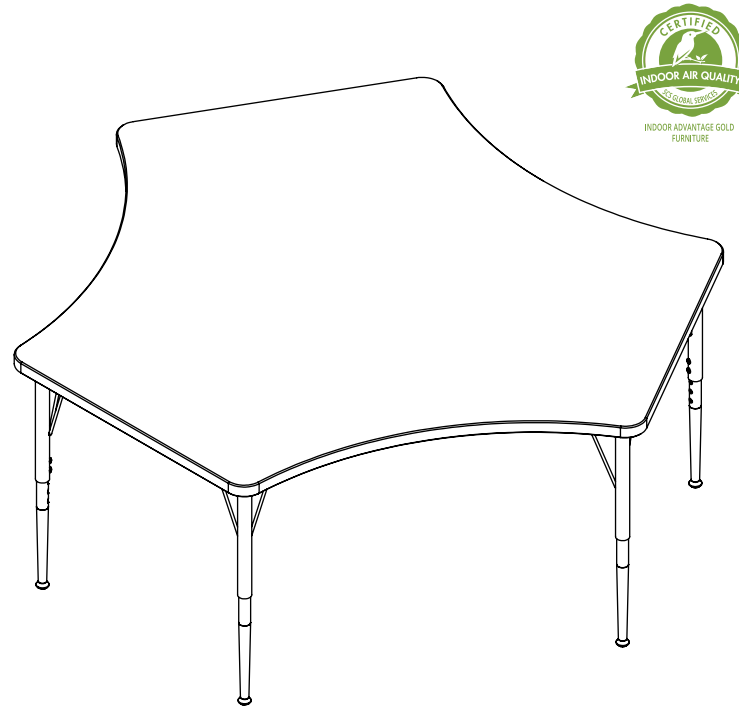
The 30mm diameter 18 gauge black powder coated leg receiver is welded to a 12 gauge steel top plate and has a 1-gauge (AWG) wire for additional strength. Legs are directly mounted to the top with six #10 x 1" wood screws.

LEG INSERT:

The leg insert is a 27mm 16-gauge chrome plated steel tube with standard inserted swivel nylon glide.

HEIGHT ADJUSTMENT:

Standard adjustment range is from 21"-30" in 1" increments. Two M6 x 13MM truss head screws with Philips drives are used to tighten the leg at the chosen height. Optional youth height inserts reduce height range to 15"-24".



OPTIONS / ACCESSORIES:

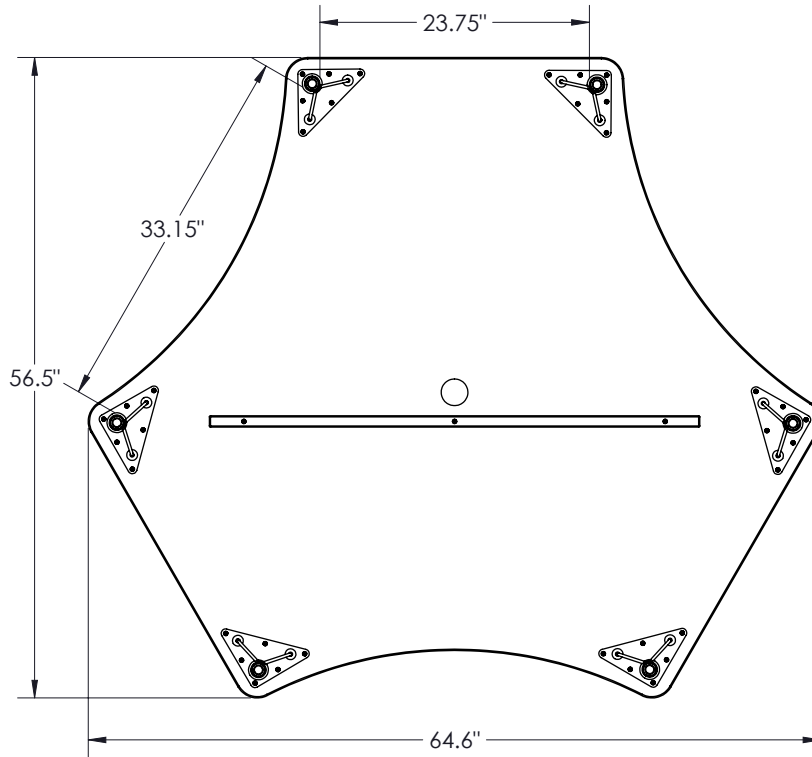
All tops are available with a variety of laminate and edgeband options, as well as black or platinum legs.

Optional accessories include a backpack hook, enclosed book box, ganging device, and clamp mounted electrical unit.

COMPLIANCE:

Indoor Advantage Gold certified.

Passes BIFMA table and leg static load tests as well as leg pull test requirements.



DIMENSIONS:

Base Model No.	Description	Height - Min. "	Height - Max. "	Overall Depth "	Overall Width "
90527-AJ-XXXX-XX	Cognitiv Table	21" (15" Kids Height)	30" (24" Kids Height)	56.5"	64.6"

ACCESSORIES:

Base Model No.	Product Name
66669	Pack Hook
66661, 66662	Wire Book Box (Black/Chrome)
59019	Cup Holder
66675	Clamp Mount Electrical
83530	Tote Tray
66640	Ganging Device