

## Hierarchy Cognitiv Table

Model No: 66681-AJ-XXXX-XX, 66682-AJ-XXXX-XX,

### TOP:

The top is made of 1 1/8" Particleboard Core with phthalate free, 3mm flat vinyl T-mold edgeband. The work surface is constructed of 45# particleboard core with high-pressure laminate (HPL) top surface and phenolic backer sheet for balanced construction. Edgeband is secured to the work surface with brad nails along the perimeter. 12 gauge steel stretcher bars are included with Cognitiv Table tops and receive three #10 x 1" wood screws.

### LEG RECEIVER:

The 1.5" diameter 14 gauge powder coated leg receiver is welded to a 10 gauge steel top plate and two 12 gauge fins for strength. Legs are directly mounted to the top with six #10 x 1" wood screws.

### LEG INSERT:

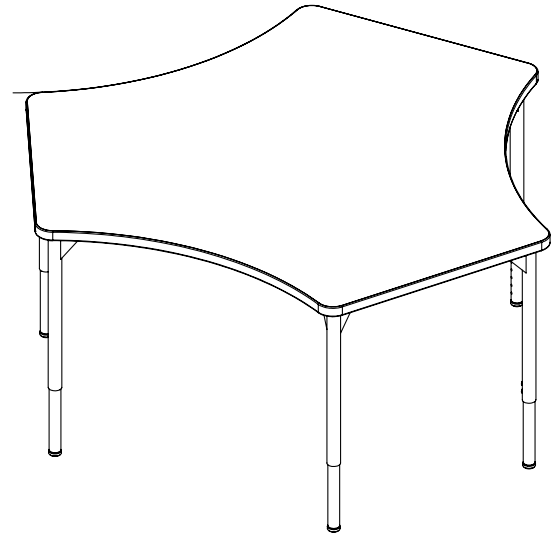
The leg insert is a 34mm 17-gauge chrome plated steel tube with welded in threaded glide insert.

### GLIDES / CASTERS:

Legs are standard with nylon glides that have 3/4" height adjustment range for leveling, and an M10 threaded stem. 50mm single urethane wheel casters with a M10 threaded stem are available for easy field installation in locking and non-locking. Casters add 3" of height to the desk.

### HEIGHT ADJUSTMENT:

Adjustment range is from 22"-32" in 1" increments for standard legs and 12"-18" for kids height legs. Two M6 x 15MM low profile socket head screws with an allen drive are used to tighten the leg at the chosen height.



### OPTIONS / ACCESSORIES:

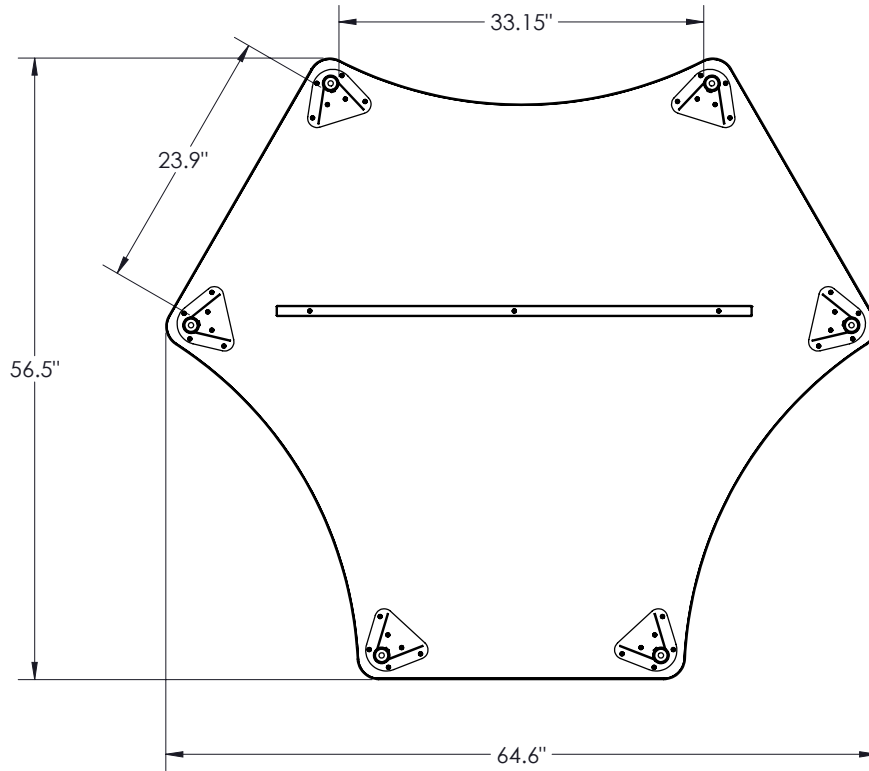
Tops are available with a variety of laminate and edgeband options, as well as black or platinum legs.

Optional accessories include a pair of casters, backpack hook, enclosed book box, ganging device, and clamp mounted electrical unit.

### COMPLIANCE:

Indoor Advantage Gold certified.

All tables and desks pass BIFMA table and leg static load tests as well as leg pull test requirements.



**DIMENSIONS:**

Base Model No.	Description	Height - Min. "	Height - Max. "	Overall Depth "	Overall Width "
66681-AJ-XXXX-XX	Hierarchy Cognitiv Table - Black Legs	22" (12" Kids Height)	32" (18" Kids Height)	56.5"	64.6"
66682-AJ-XXXX-XX	Hierarchy Cognitiv Table - Platinum Legs	22" (12" Kids Height)	32" (18" Kids Height)	56.5"	64.6"

**ACCESSORIES:**

Base Model No.	Product Name
66654, 66659	Casters (No Lock/Lock)
66669	Pack Hook
66661, 66662	Wire Book Box (Black/Chrome)
59019	Cup Holder
66675	Clamp Mount Electrical
83530	Tote Tray
66640	Ganging Device