

Elate Task Chair

Model No: 56584-VX-FABRIC

OVERVIEW:

Elate Task Chairs are a stylish and ergonomic option for maximizing comfort at your office place.

SEAT AND BACK CONSTRUCTION:

Seat and back cushions consist of plywood and foam with upholstered fabric. Cushions are mounted to an injection molded hard plastic base and back with overmolded steel inserts.

FRAME:

Frame consists of grey nylon arm rests and 5-star base. Base comes standard with five 60mm dual wheel non-marring hard casters with grip ring 7/16" stems.

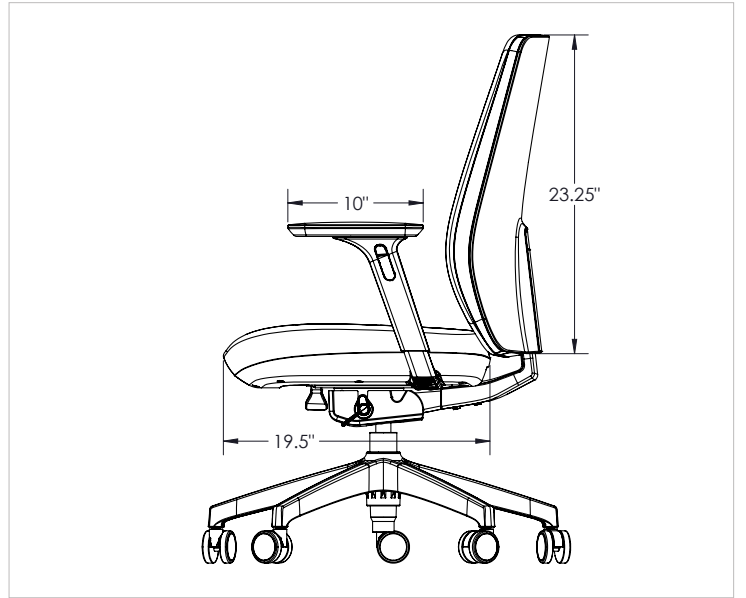
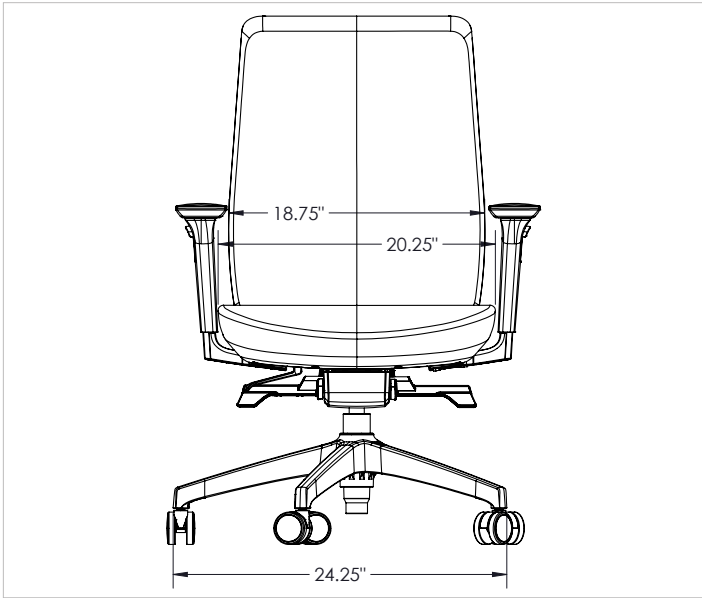
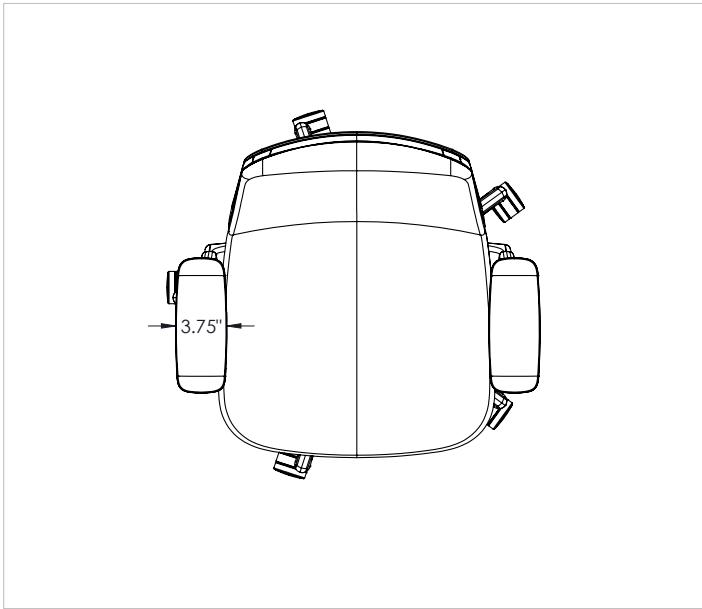
ADJUSTMENT:

- Six position backrest height (50mm range)
- Six position seat depth
- 9 position armrest height (75mm range)
- 7 position armrest pad forward backward adjustment (40mm range)
- 4 position armrest pad left and right adjustment (30mm range)
- 21 degree back tilting angle with 3 locking positions
- 3" Seat height range



COMPLIANCE:

Indoor Advantage Gold certified.



DIMENSIONS:

Base Model No.	Description	Seat Height Range	Back Height Range	Back Angle Adjustment	Arm Rest Height Range
56584-VX-FABRIC	Task Chair	18 - 21"	39.5 - 41.5"	15 - 40°	24 - 27"