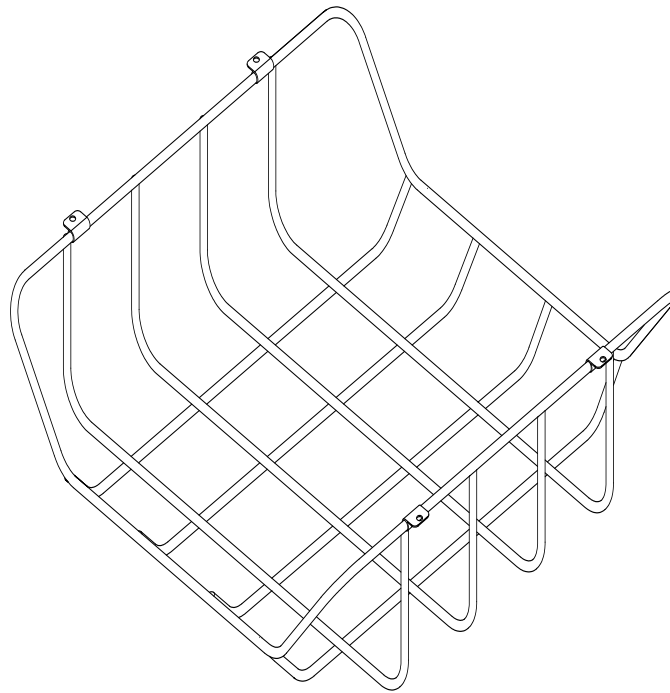
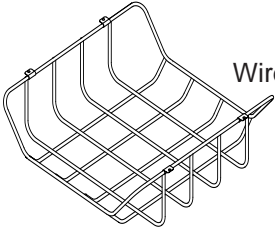
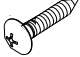


66661, 66662
Shapes Desk Book Box



Assembly Instructions

Shapes Desk Book Box

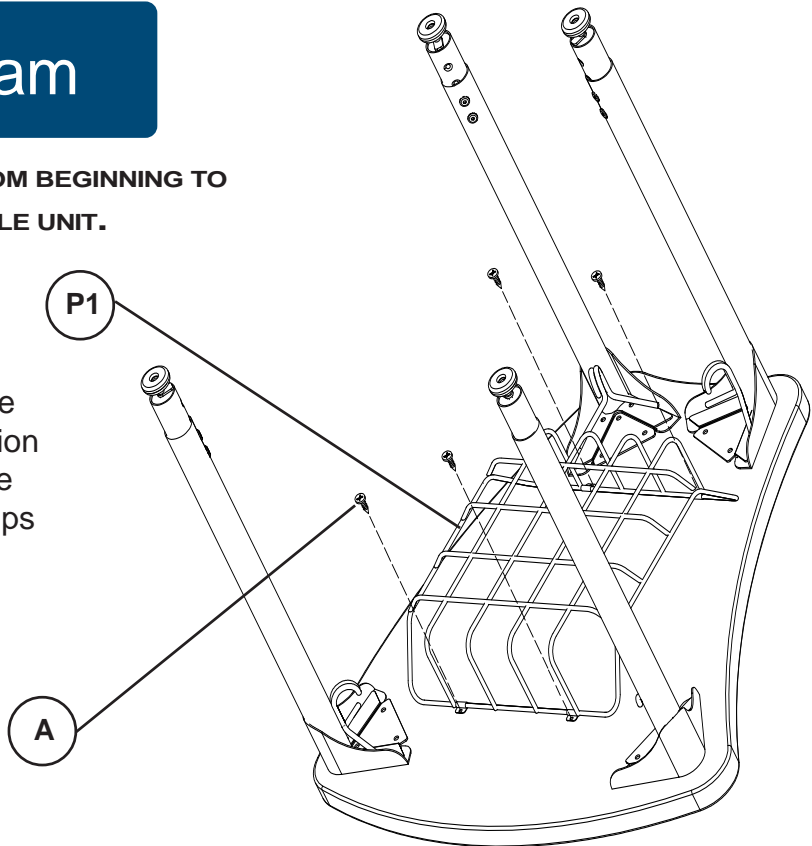
Part	Drawing	Description	Qty	Part	Drawing	Description	Qty
P1		Wire Book Box	2 EA	<div style="border: 1px solid black; padding: 10px;"> <p style="text-align: center;">Hardware List</p> <p>A  Phillips Head Screw 8 EA</p> </div>			

Assembly Diagram

READ THROUGH INSTRUCTIONS FROM BEGINNING TO END BEFORE STARTING TO ASSEMBLE UNIT.

- 1.) Identify and Separate all the Parts and Hardware.
- 2.) Place the Wire Book Box (P1) on the bottom of your Table's top and position it at your desired location. Attach the Wire Book Box (P1) using four Phillips Head Screws (A) as shown in illustration #1.

Illustration # 1



Missing Parts or UPS Damaged Parts
 For Your Convenience you can
 EMAIL us at
support@moorecoinc.com
 24HOURS 7 DAYS A WEEK

***Should you require assistance during assembly,
 please call our Customer Service Department
 Monday - Friday 8 a.m. - 5 p.m.
 Central Standard Time 1-800-749-2258***

Do not use unless all screws are tight. At least every six months, check all screws to be sure they are tight. If parts are missing, broken, damaged, or worn, stop use of the product until repairs are made by your dealer using factory authorized parts.