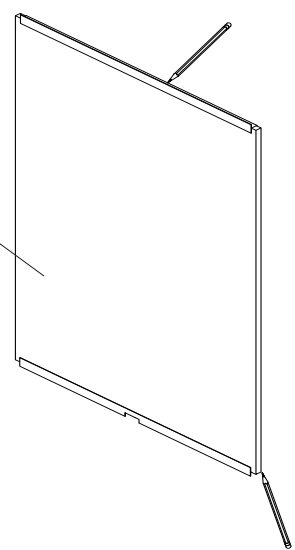
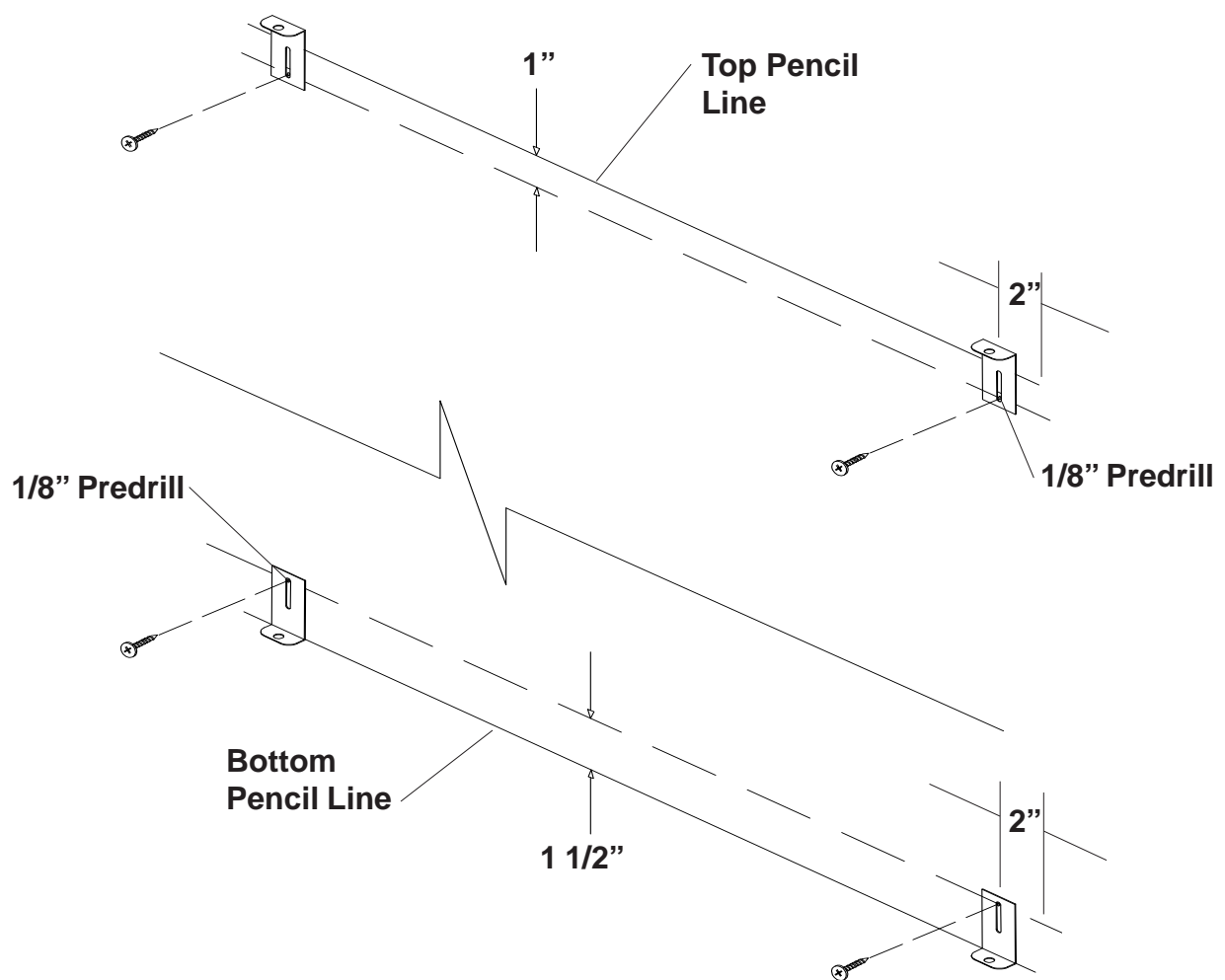


P2

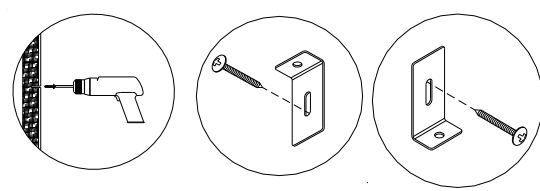
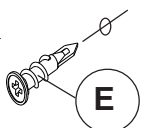
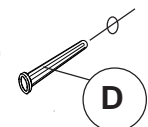


1 Place your Bulletin Board Back (P2) on the wall at the point you want it mounted. Make sure it is level. Mark a line across the top and along the bottom edges.



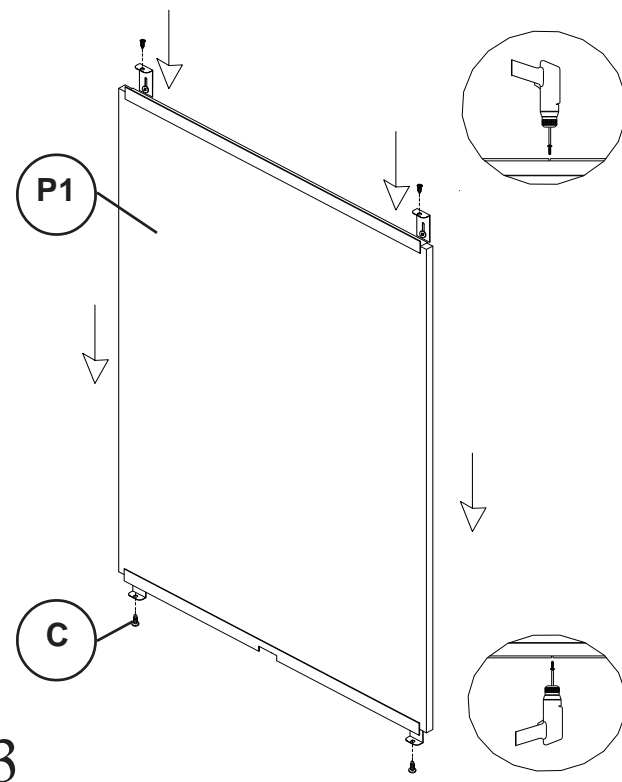
Note: Install four Masonry Anchors (D) into 1/4" Diameter predrill holes for masonry walls.

Install four Drywall Anchors (E) into 1/4" Diameter predrill holes for sheet rock walls.

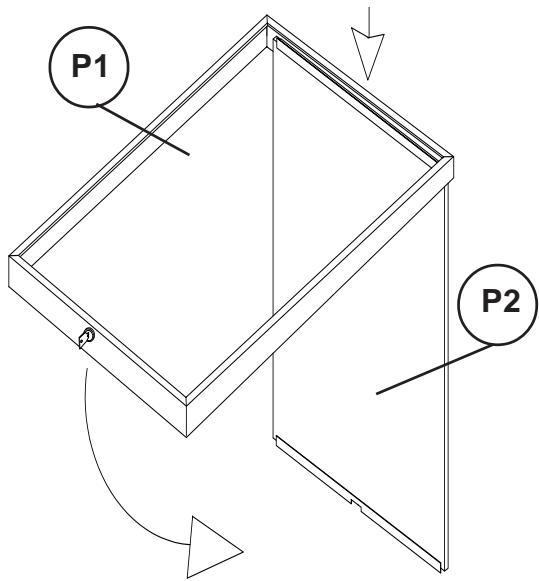


2

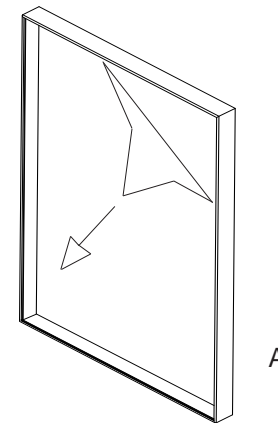
Measure up 1 1/2" from the bottom Pencil Line and 2" in from each end. Drill a 1/8" hole at these two points. Use a Long Screw (B) through an Angle Bracket (A) and into the predrilled holes for the bottom mounts. Measure down 1" from the top Pencil Line and 2" in from each end. Drill a 1/8" hole at these two points. Use a Long Screw (B) through an Angle Bracket (A) and into the predrilled holes for the top mounts. Make sure Angle Brackets (A) are turned as drawing shows. This Step in the instructions is for a wood/stud wall. See the NOTE above for other type walls.



3 Place the Bulletin Board Back (P2) on the bottom Angle Brackets and secure with Short Screw (C) through brackets. Push the top Angle Brackets down onto the Bulletin Board back and secure with Short Screws (C).



4 Hook the Bulletin Board Front (P1) over the flange at the top of the Bulletin Board Back (P2). Swivel the front down and use the Key Lock to secure in place.



5 Remove the protective film after the unit is installed.

Parts List

P1		Bulletin Board Front
P2		Bulletin Board Back

Hardware List

	Angle Bracket
	Screw
	Short Screw
	Masonry Anchor-Concrete
	Screw Anchor-Drywall

Enclosed Bulletin Board

