

Porcelain Steel Shapes Desk

Model No: 70522(K), 70523(K)

OVERVIEW:

New porcelain steel top surface option for Shapes Desk offers a durable surface with superior writability and erasability as compared to whiteboard laminate options.

TOP:

The top is made of 1 1/8" 45# particleboard core with 24 Ga porcelain steel work surface and injection molded, polypropelene edgebanding. Table bottom is covered with high-pressure laminate for balanced construction. Edgeband available in black only and uses no nails or glue.

LEG RECEIVER:

The 1.5" diameter 14 guage powder coated leg receiver is welded to a 10 gauge steel top plate and two 12 gauge fins for strength. Legs are directly mounted to the top with six #10 x 1" wood screws.

LEG INSERT:

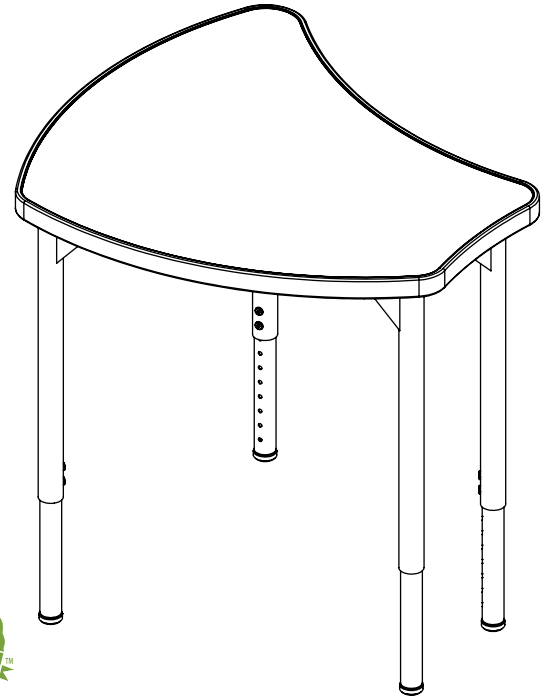
The leg insert is a 34mm 17-gauge chrome plated steel tube with welded in threaded glide insert.

GLIDES / CASTERS:

Legs are standard with nylon glides that have 3/4" height adjustment range for leveling, and an M10 threaded stem. 50mm single-hard wheel casters with a M10 threaded stem are available for easy field installation in locking and non-locking. Casters add 3" of height to the desk.

HEIGHT ADJUSTMENT:

Adjustment range is from 22"-32" in 1" increments for standard leg and 12"-18" for kids height leg. Two M6 x 15MM low profile socket head screws with an allen drive are used to tighten the leg at the chosen height.



OPTIONS / ACCESSORIES:

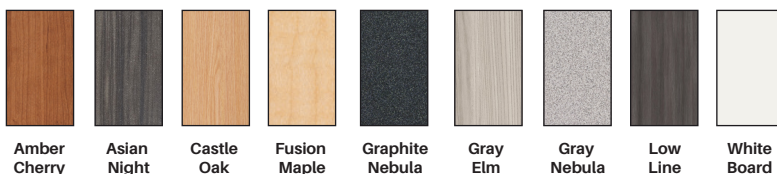
All Shapes Desk tops are available with a variety of laminate options, as well as black or platinum legs.

Optional accesories include a pair of casters, backpack hook, enclosed book box, ganging device, and clamp mounted electrical unit.

COMPLIANCE:

All desks meet or exceed ANSI/BIFMA testing requirements.

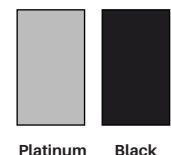
LAMINATE OPTIONS:

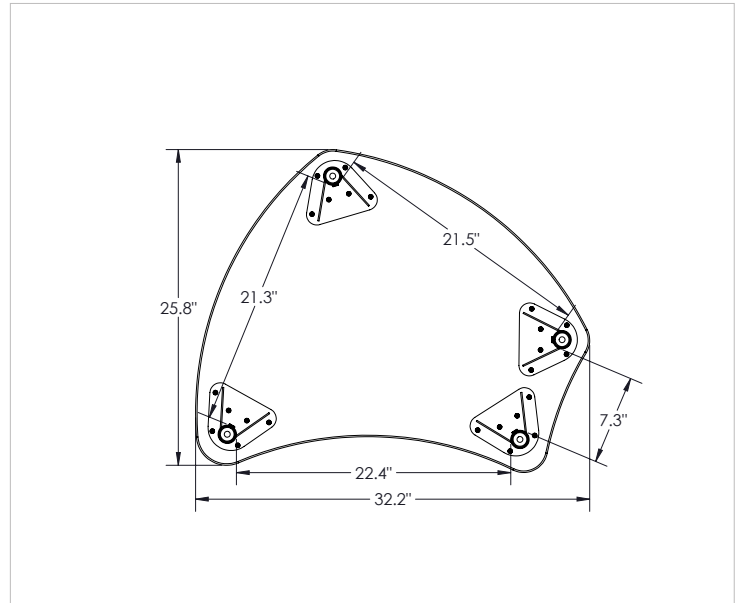
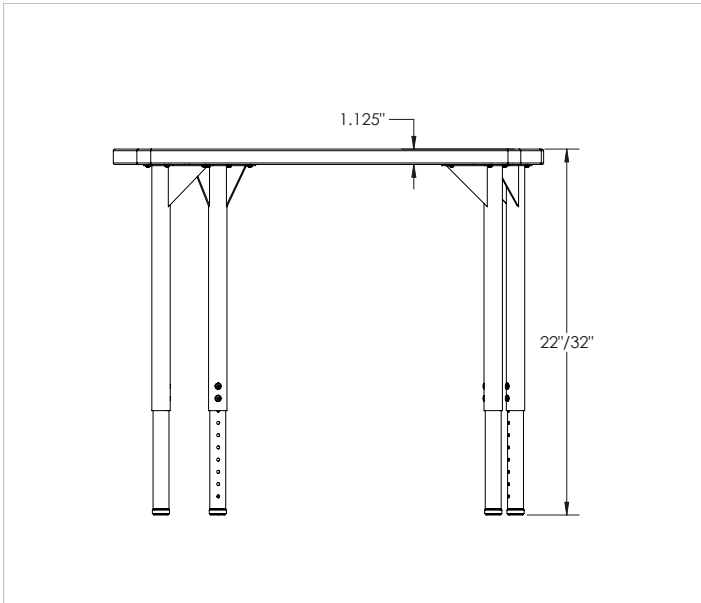


EDGE COLOR:



LEG COLORS:





DIMENSIONS:

Base Model No.	Height - Min. "	Height - Max. "	Overall Depth "	Overall Width "	Leg Spread
XXXX	22' (12' Kids)	32' (18' Kids)	25.8'	32.2'	Varies by side. See above

ACCESSORIES:

Base Model No.	Product Name
66654, 66659	Casters (No Lock/Lock)
66669	Pack Hook
66661, 66662	Wire Book Box (Black/Chrome)
59019	Cup Holder
66675	Clamp Mount Electrical
83530	Tote Tray
66640	Ganging Device