

Brawny Training and Conference Tables

Model No: 89847, 89848, 89862, 58063-XXXX-XX, 58064-XXXX-XX, 58065-XXXX-XX

OVERVIEW:

Heavy duty Brawny Tables are ideal for use in training rooms, classrooms, as workstations, or as general purpose tables for any work area.

TOPS:

The top is made of 1 1/8" Particleboard Core with 3mm Flat Vinyl T-Mold Edge. The work surface is constructed of 45# particleboard core with high-pressure laminate (HPL) top surface and phenolic backer sheet for balanced construction. 1 1/8" 3mm flat vinyl t-mold is secured to the work surface with brad nails along the perimeter. The top is attached to the legs using four M6 x 40mm low profile allen drive screws.

LEGS:

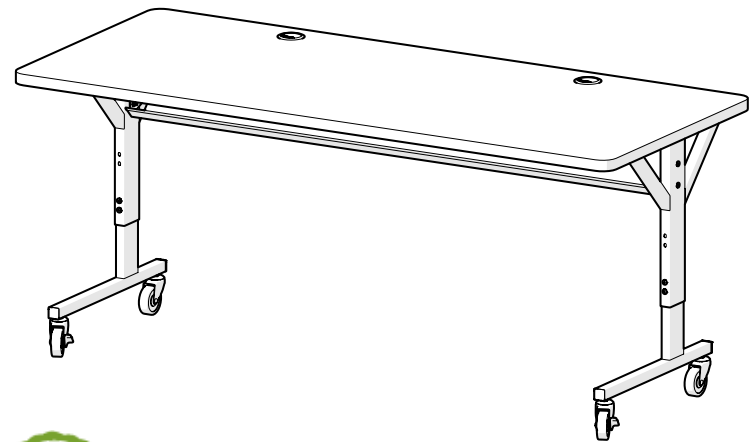
Upper leg is a 21" long, 1.125" square, 16 gauge steel tube with nylon endcaps welded to a 17.5" long, 3.125" x 1.125", 14 gauge steel upright. It is supported by two welded, 10" long, 1.125" square, 16 gauge steel tubes. The lower leg is a 22" long, 1.125" square, 16 gauge steel tube with nylon endcaps welded to a 13.625" long, 3" x 1", 18 gauge steel upright. Table can be adjusted from either 22.5" - 30.5" high with glides or 25.5" - 33.5" high with casters, in 1" increments, using two M6 x 8mm low profile allen drive screws in each leg assembly.

CROSSBAR AND WIRE MANAGEMENT:

A 3" x 1", 16 gauge steel crossbar spans the legs and is 29.875" / 53.875" / 63.875" long on the 36", 60", and 72" wide tables, respectively. The crossbar bolts into the legs through a 4.25" x 5.25", 12 gauge steel weldment using two M6 x 40mm low profile allen drive screws and two 6mm hex nuts on each leg. A 4.25" x 11.5", 16 gauge steel wire management tray spans the legs and is attached using four M6 x 8mm screws.

GLIDES AND CASTERS:

Glides and casters attach into welded screw bosses on the legs. Glides are nylon with an M10 x 25mm threaded stem, casters are 3" casters (two locking and two non-locking) with M10 x 25mm threaded stems.



OPTIONS / ACCESSORIES:

Comes standard with gray laminate and gray edgeband but is available with custom options for both. Legs, crossbar, and wire management tray are available in black powder coat.

Available with an attachable CPU holder.

COMPLIANCE:

Indoor Advantage Gold certified.

Meets or exceeds ANSI / BIFMA standards

LAMINATE OPTIONS:



Grey Nebula Amber Cherry Fusion Maple Asian Night Grey Elm Low Line Custom

EDGE COLORS:

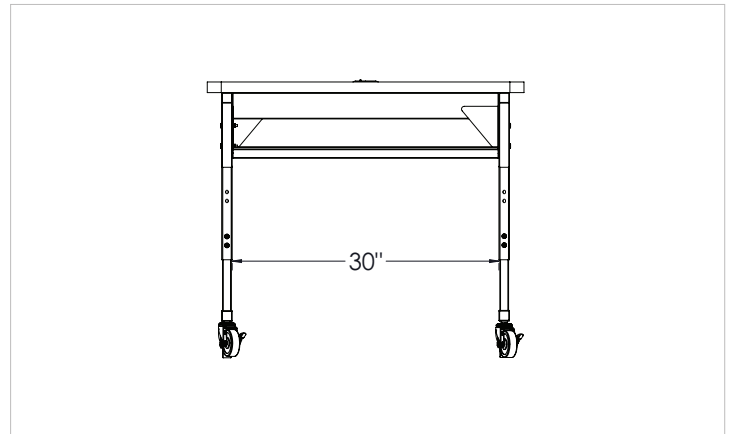
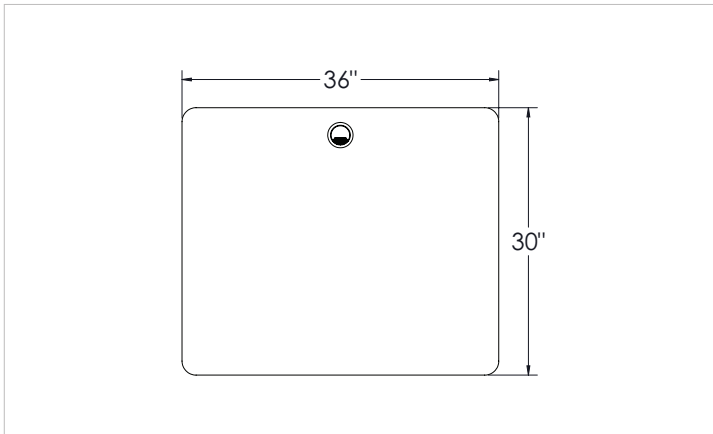
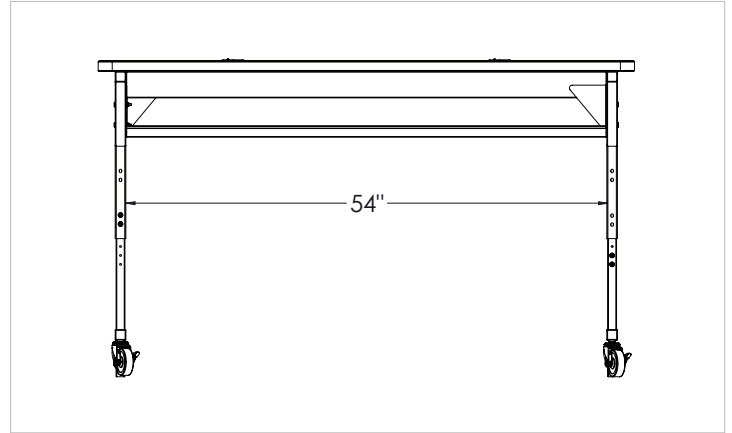
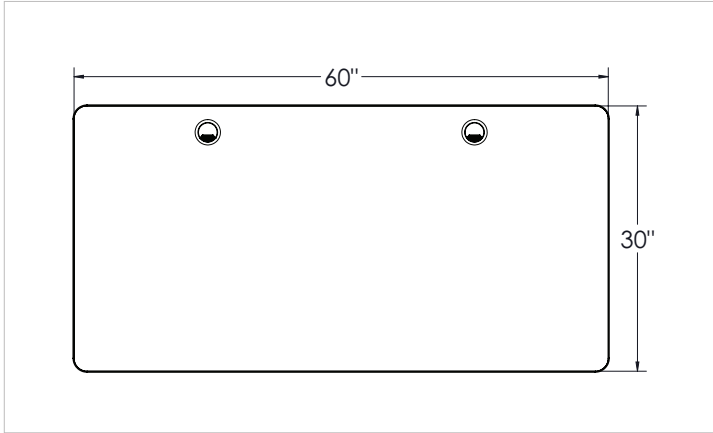
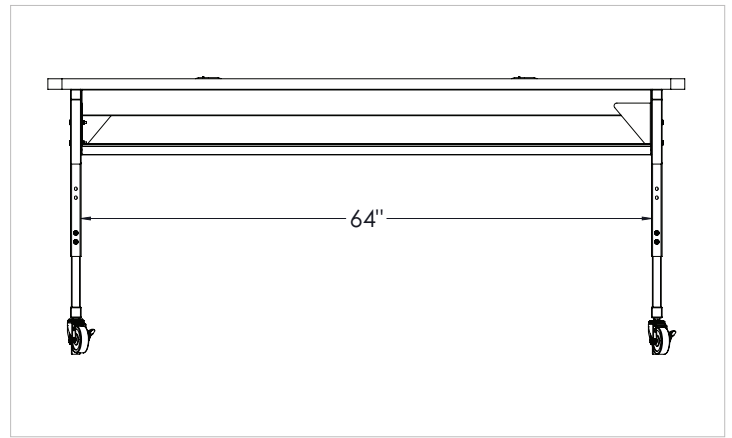
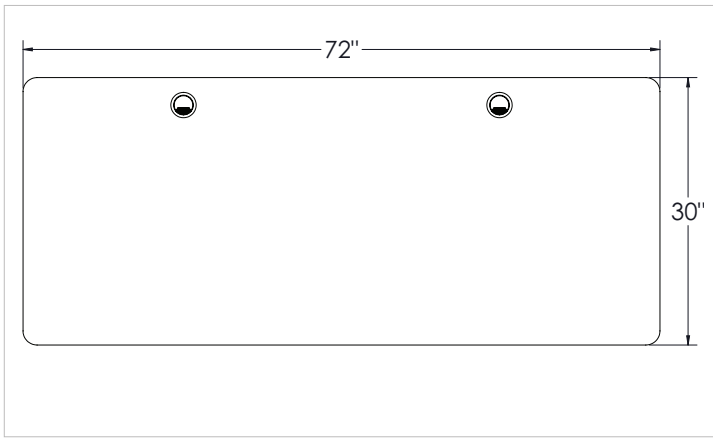


Black Cool Gray Navy Blue Green Yellow Orange Red

LEG COLORS:



Black



DIMENSIONS:

Base Model No.	Description	Height Adjustment (Glides/Casters)	Table Width	Table Depth	Leg Spread
89847	Brawny (Gray Top + Gray Edgeband)	22.5" - 30.5" / 25.5" - 33.5"	36"	30"	30"
89848	Brawny (Gray Top + Gray Edgeband)	22.5" - 30.5" / 25.5" - 33.5"	60"	30"	54"
89862	Brawny (Gray Top + Gray Edgeband)	22.5" - 30.5" / 25.5" - 33.5"	72"	30"	64"
58063-XXXX-XX	Brawny (Custom Top + Edgeband)	22.5" - 30.5" / 25.5" - 33.5"	36"	30"	30"
58064-XXXX-XX	Brawny (Custom Top + Edgeband)	22.5" - 30.5" / 25.5" - 33.5"	60"	30"	54"
58065-XXXX-XX	Brawny (Custom Top + Edgeband)	22.5" - 30.5" / 25.5" - 33.5"	72"	30"	64"

ACCESSORIES:

Base Model No.	Product Name
89849-B	Brawny CPU Holder



MooreCo | Vanerum North America
 2885 Lorraine Avenue | Temple, TX 76501
 p: 800.749.2258 | f: 866.888.7483
www.moorecoinc.com | www.vanerumnorthamerica.com