

Makerspace Robotics Wall Kit

Model No: 91692, 91693

OVERVIEW:

Easy to mount, see-through walls clamp onto the edge of our Makerspace Table to keep your robots and other makerspace activities on the table to help prevent falling and damage.

WALLS:

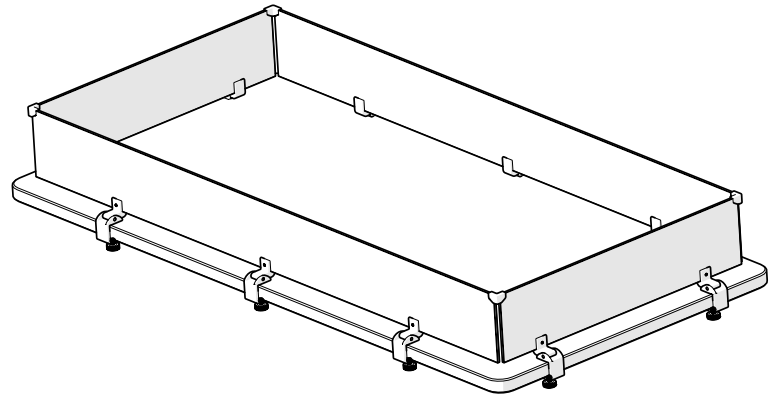
Walls are 1/4" bronze translucent acrylic and are 6" high. Walls come standard in 60" x 30" and 72" x 30" packs, each containing two long (60" / 72") and two short (30") pieces.

CLAMPS:

Aluminum clamps are adjustable and fit tables up to 1.25" thick. They pivot on a press fit, 6mm, solid aluminum pin and are attached to the acrylic walls with one M6 x 5mm set screw. Three clamps are used to hold the long wall pieces and two are used to hold the short pieces. Clamps are held to the table with one M8 x 25mm thumb screw.

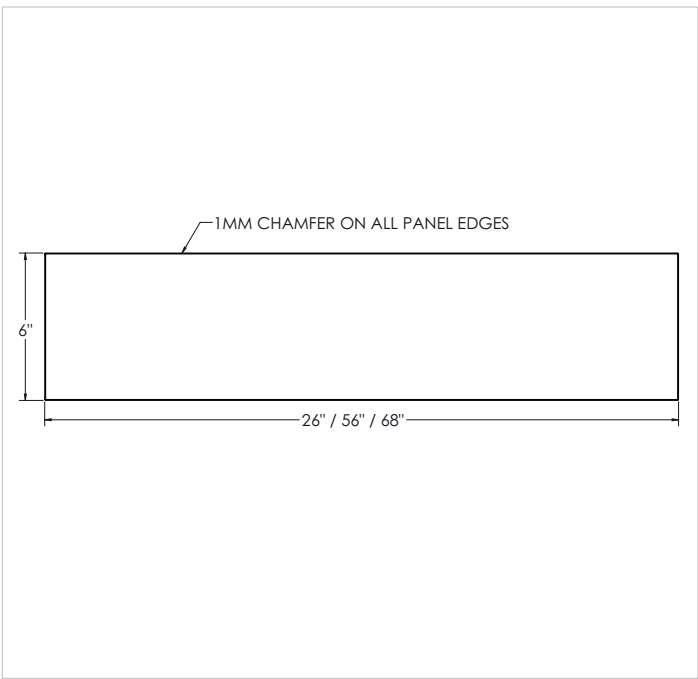
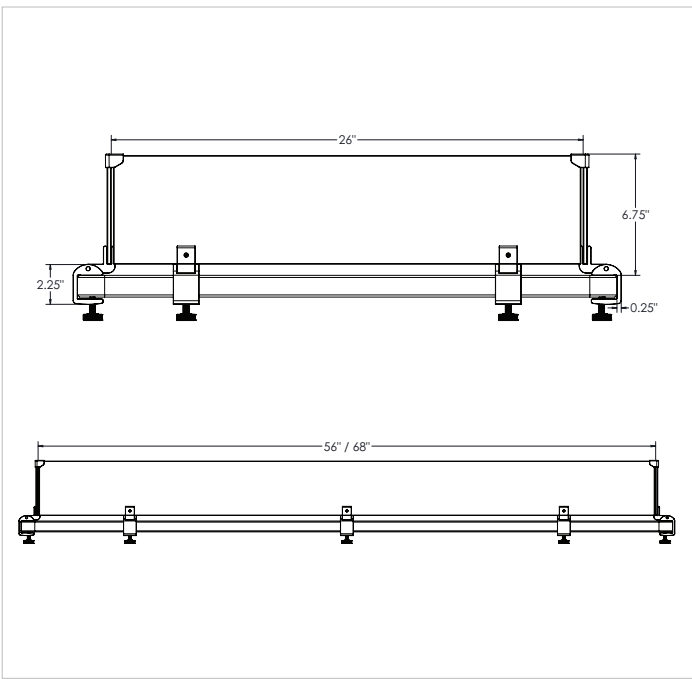
CORNERS:

Corner pieces are injection molded nylon and set spacing to ensure walls are at 90°.



OPTIONS / ACCESSORIES:

Available in 60" x 30" and 72" x 30" packs standard, with custom sizes available.



DIMENSIONS:

Base Model No.	Description	Dimensions	Table Length	Table Width
91692	Makerspace Robotics Wall Kit - 6030	8.3' x 70" x 3"	60"	30"
91693	Makerspace Robotics Wall Kit - 7230	8.3' x 82" x 3"	72"	30"