

Model No: 90527-A-xxxx-xx, 90527-B-xxxx-xx, 90527-C-xxxx-xx, 90527-D-xxxx-xx, 90527-E-xxxx-xx, 90527-F-xxxx-xx, 90527-G-xxxx-xx, 90527-H-xxxx-xx, 90527-J-xxxx-xx, 90527-K-xxxx-xx, 90527-L-xxxx-xx, 90527-M-xxxx-xx, 90527-N-xxxx-xx, 90527-P-xxxx-xx, 90527-Q-xxxx-xx, 90527-R-xxxx-xx, 90527-S-xxxx-xx, 90527-T-xxxx-xx, 90527-U-xxxx-xx, 90527-V-xxxx-xx, 90527-W-xxxx-xx,

Activity Tables

OVERVIEW:

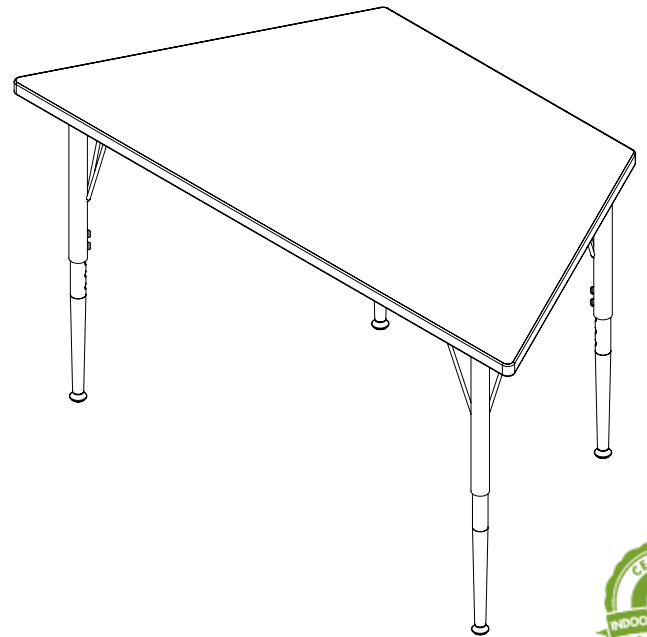
The wide variety of shape and size options offered by the Activity Tables provide flexibility and fit to any classroom.

TOPS:

The top is made of 1 1/8" Particleboard Core with 3mm Flat Vinyl T-Mold Edge. The work surface is constructed of 45# particleboard core with high-pressure laminate (HPL) top surface and phenolic backer sheet for balanced construction. 1 1/8" 3mm flat vinyl t-mold is secured to the work surface with brad nails along the perimeter. Stretcher bars are standard on tops 60" long and longer.

LEG:

Adjustment range is from 21"-30" in 1" increments. Two M6 x 13MM truss head screws with Philips drives are used to tighten the leg at the chosen height. Legs are constructed of a 30mm diameter 18-gauge powder coat upper leg receiver and 27mm 16-gauge chrome plated lower leg insert with standard inserted swivel nylon glide. The leg receiver is welded to a 12 gauge steel top plate and has a 1-gauge (AWG) wire for additional strength. Each leg is fastened to the table by six (6) #10 x 1" truss head Philips drive sheet metal screws. Optional youth height inserts reduce the height range by 6", bringing the range to 15"-24".



OPTIONS / ACCESSORIES:

All Activity Table tops are available with a variety of laminate and edgeband options, as well as black or platinum legs.

Optional accessories include a youth height leg insert, enclosed book box, ganging device, and clamp mounted electrical unit.

LAMINATE OPTIONS:



Grey Nebula Amber Cherry Fusion Maple Asian Night Grey Elm Low Line Custom

EDGE COLORS:



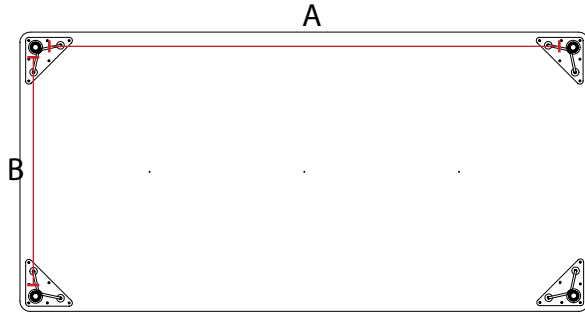
Black Cool Gray Navy Blue Green Yellow Orange Red

LEG COLORS:

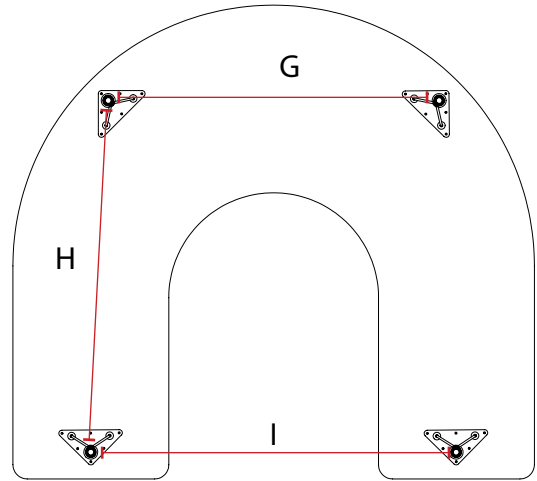


Silver Black

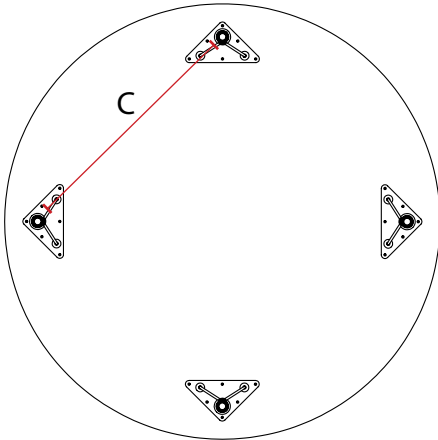
Rectangles and Squares:



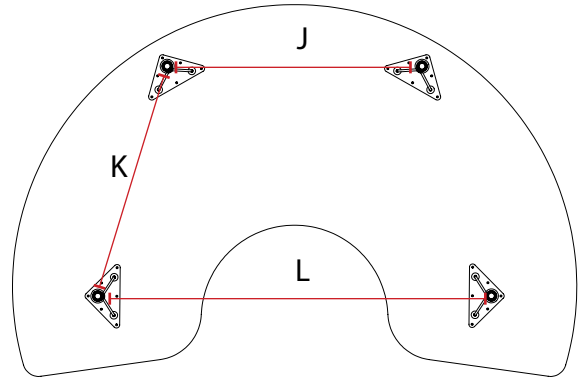
Horseshoe:



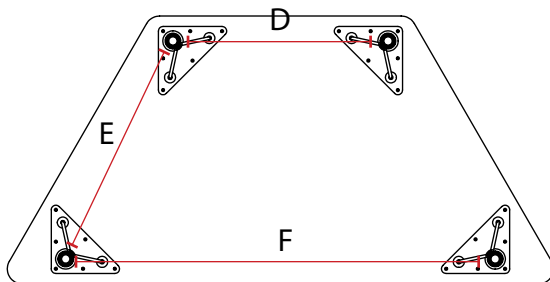
Circles:



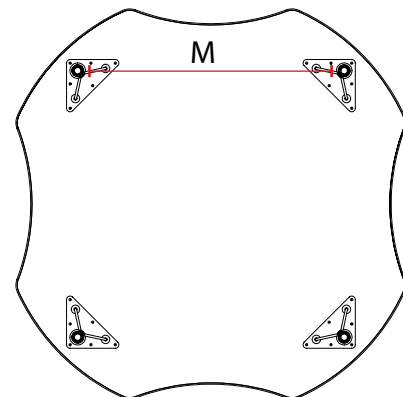
Kidney:



Trapezoids:



Clovers:



DIMENSIONS AND WEIGHTS:

Part No.	Description	Product Dimensions	Leg Spread	Ship Wt.
Activity Tables				
90527-A-XXXX-XX	3624 Rectangle	22" – 29"H x 36"W x 24"D	A-31" B-19"	49 lbs
90527-B-XXXX-XX	4824 Rectangle	22" – 29"H x 48"W x 24"D	A-43" B-19"	60 lbs
90527-C-XXXX-XX	6024 Rectangle	22" – 29"H x 60"W x 24"D	A-55" B-19"	71 lbs
90527-D-XXXX-XX	4830 Rectangle	22" – 29"H x 48"W x 30"D	A-43" B-25"	67 lbs
90527-E-XXXX-XX	6030 Rectangle	22" – 29"H x 60"W x 30"D	A-55" B-25"	84 lbs
90527-F-XXXX-XX	7230 Rectangle	22" – 29"H x 72"W x 30"D	A-67" B-25"	87 lbs
90527-G-XXXX-XX	6036 Rectangle	22" – 29"H x 60"W x 36"D	A-55" B-31"	97 lbs
90527-H-XXXX-XX	7236 Rectangle	22" – 29"H x 72"W x 36"D	A-67" B-31"	114 lbs
90527-J-XXXX-XX	6048 Rectangle	22" – 29"H x 60"W x 48"D	A-55" B-43"	127 lbs
90527-K-XXXX-XX	36 Square	22" – 29"H x 36"W x 36"D	A-31" B-31"	65 lbs
90527-L-XXXX-XX	48 Square	22" – 29"H x 48"W x 48"D	A-43" B-43"	103 lbs
90527-M-XXXX-XX	60 Square	22" – 29"H x 60"W x 60"D	A-55" B-55"	164 lbs
90527-N-XXXX-XX	36 Round	22" – 29"H x 36"W x 36"D	C-19"	54 lbs
90527-P-XXXX-XX	42 Round	22" – 29"H x 42"W x 42"D	C-23"	68 lbs
90527-Q-XXXX-XX	48 Round	22" – 29"H x 48"W x 48"D	C-27"	86 lbs
90527-R-XXXX-XX	4824 Trapezoid	22" – 29"H x 48"W x 24"D	D-17" E-20" F-36"	50 lbs
90527-S-XXXX-XX	6030 Trapezoid	22" – 29"H x 60"W x 30"D	D-23" E-26" F-48"	68 lbs
90527-T-XXXX-XX	48 Clover	22" – 29"H x 48"W x 48"D	M-29"	91 lbs
90527-U-XXXX-XX	60 Clover	22" – 29"H x 60"W x 60"D	M-36"	127 lbs
90527-V-XXXX-XX	7248 Kidney	22" – 29"H x 72"W x 48"D	J-31" K-29" L-48"	119 lbs
90527-W-XXXX-XX	6660 Horseshoe	22" – 29"H x 66"W x 60"D	G-40" H-43" I-45"	130 lbs

ACCESSORIES:

Base Model No.	Product Name
66632, 66633	Enclosed Book Box
66640	Ganging Device
66675	Clamp Mount Electrical
89492	Youth Height Insert Leg