

Hierarchy Flipz Stool

Model No: 83464-Black, 83464-Grey, 83464-Red, 83464-Orange,
83464-Yellow, 83464-Green, 83464-Blue, 83464-Navy,

OVERVIEW:

The Hierarchy Flipz stools offer a unique alternative to student chairs, allowing for a rocking or static yet contoured seating experience, and the full lineup of hierarchy colors. Built to “wobble”, this stool helps ease student discomfort from sitting still for extended periods of time, while allowing them to stay focused in the classroom.

BOTTOM:

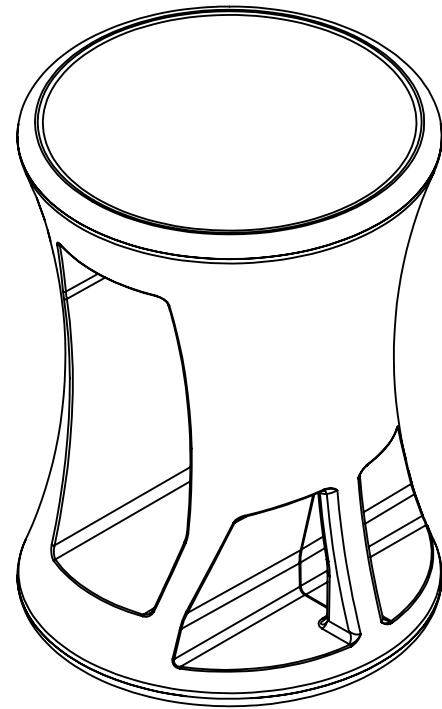
The intricately molded body is standard in grey with two integrated handles and book compartment. Body is made of polypropylene for strength and durability.

SEAT/BASE:

The Hierarchy Flipz stool can be used as a wobble stool when sitting with the convex side down or as a static stool with the concave side down. Both the convex and concave caps are made of polypropylene for strength and durability with a non-skid over-molded thermoplastic elastomer (TPE) surface standard in all eight (8) Hierarchy colors.

CONSTRUCTION:

The caps are assembled to the body using thirty (30) millimeter long by six (6) millimeter in diameter steel pins.



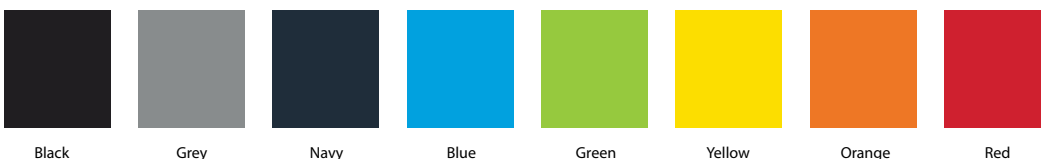
OPTIONS

The Hierarchy Flipz Stool comes in a variety of colors.

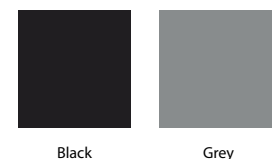
COMPLIANCE:

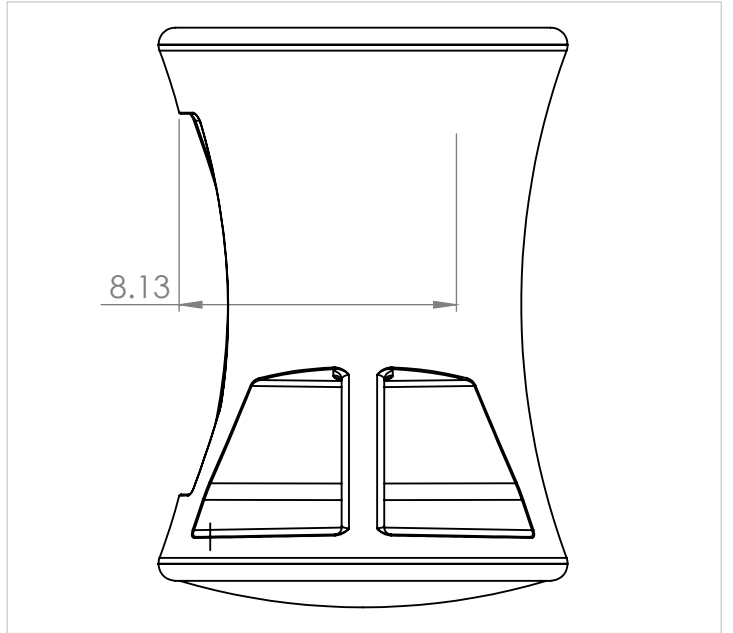
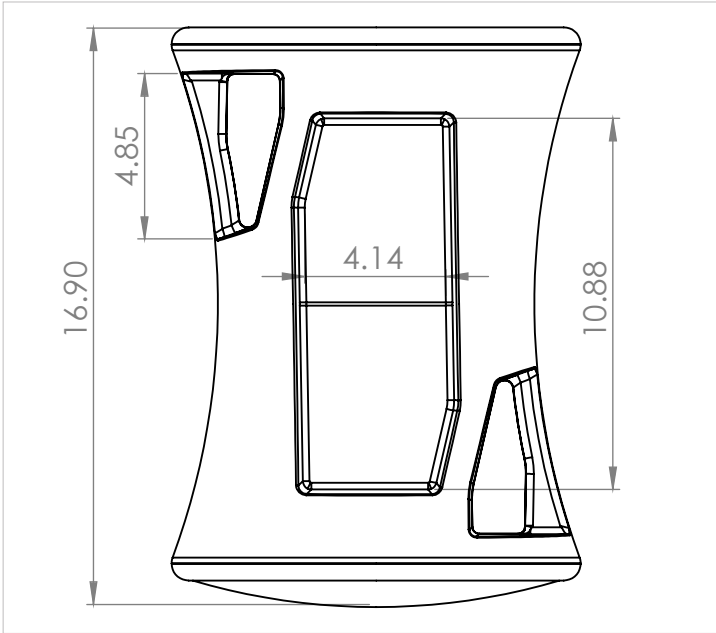
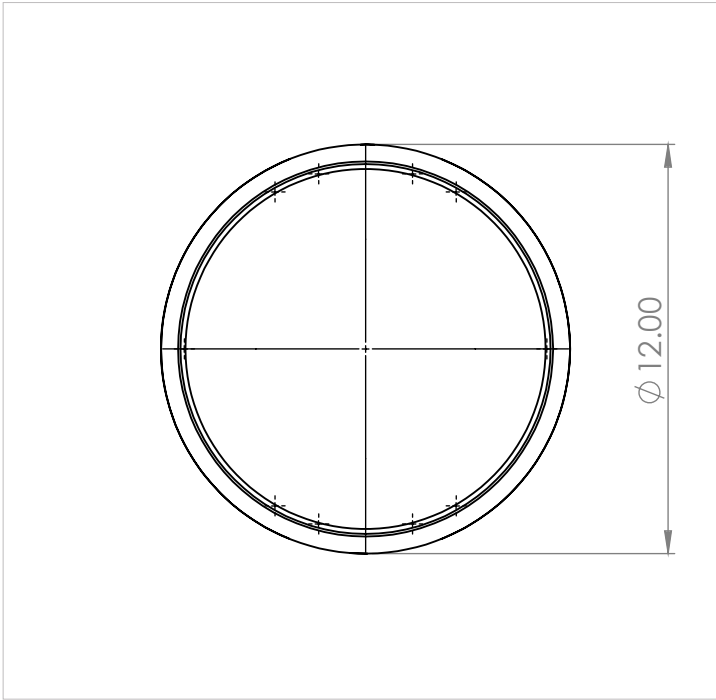
The Hierarchy Flipz Stool passes BIFMA Static weight and drop tests.

SEAT/BASE COLOR:



BODY COLOR:





DIMENSIONS:

Base Model No.	Height"	Depth"	Width"	Weight - Lbs.
83464-Black	16.9"	12"	12"	7 Lbs.
83464-Grey	16.9"	12"	12"	7 Lbs.
83464-Red	16.9"	12"	12"	7 Lbs.
83464-Orange	16.9"	12"	12"	7 Lbs.
83464-Yellow	16.9"	12"	12"	7 Lbs.
83464-Green	16.9"	12"	12"	7 Lbs.
83464-Blue	16.9"	12"	12"	7 Lbs.
83464-Navy	16.9"	12"	12"	7 Lbs.