

Wire Book Box

Model No: 66661, 66662

OVERVIEW

The Wire Book Box adds quick and easy book and material storage to a wide variety of student desk options.

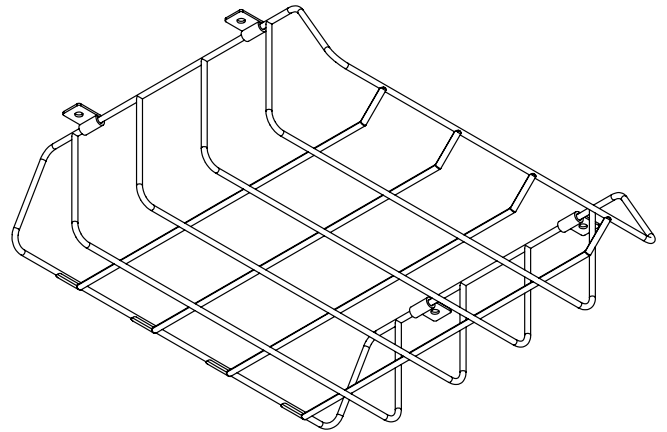
CONSTRUCTION

Book box is uniformly constructed of 6 gauge steel wire bent at 90 degree angles along sides for depth. Four 14 gauge steel brackets are welded to top of frame and each receive a #10 x 1" wood screw to fasten to underside of desk top.

COMPATABILITY

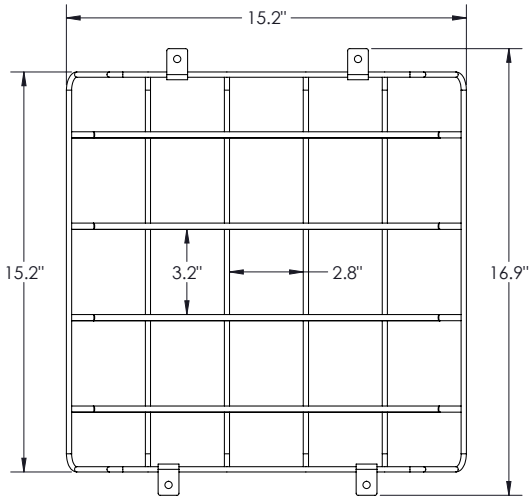
Wire Book Box fits Cloud 9, Creator, Economy Shapes, Hierarchy Cantilever, Shapes, Shapes Harmony, and Snap Boomerang desks.

Call for information on fitting other desks.

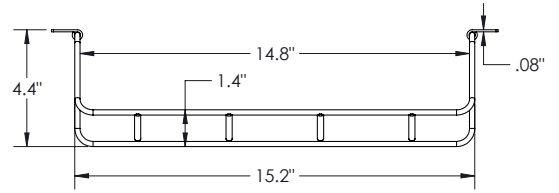


Chrome Black

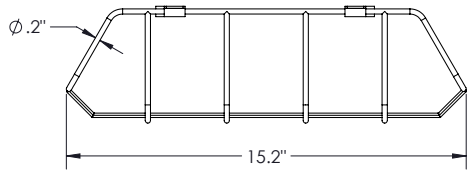
TOP



FRONT



SIDE



AVAILABLE OPTIONS

Base Model No.	Description	Dimensions
66661	Wire Book Box (Black)	4"H X 15"W X 13.5"D
66662	Wire Book Box (Chrome)	4"H X 15"W X 13.5"D



MooreCo, Inc.
 2885 Lorraine Avenue | Temple, TX 76501
 p: 800.749.2258 | f: 866.888.7483
www.moorecoinc.com