



Product Specifications

Grow and Roll™ Desk

Product No: 59040 - A, B, C, D

OVERVIEW

The Grow and Roll Desk is a sturdy, mobile, height-adjustable desk with a sleek platinum finish.

TOP

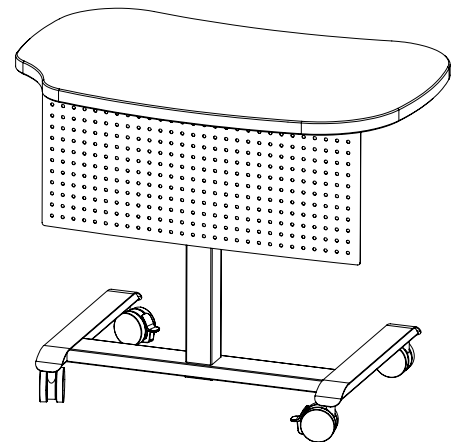
The top is made of 1 1/8" Particleboard Core with 3mm Flat Vinyl T-Mold Edge. The work surface is constructed of 45# particleboard core with high pressure laminate (HPL) top surface and phenolic backer sheet for balanced construction. 1 1/8" 3mm flat vinyl t-mold is secured to the work surface with brad nails along the perimeter. Stretcher bars are standard on tops 60" long and longer.

FRAME

The base is three sections of 10 Ga steel, platinum powder coated, tube welded together, two feet and a cross-tube. The two feet are 1.125" x 2.25" x 21.5" and are welded to a 12 Ga steel plate that covers the length of each foot. The cross-tube is 1.125" x 2.75" x 24" and has an 8 Ga 2.5" square steel plate welded at the center to support the pneumatic tube. This tube is attached to the base with four M8 x 25mm screws and lock washers. It is made up of three telescoping sections of 14 Ga steel tube at 2.375" square, 2.0" square, and 1.75" square respectively. Welded to the top of the pneumatic tube is a 10 Ga steel plate that measures 5.5" x 6.69". Eight #10 x 1" wood screws attach this steel plate to the desktop. Four 75mm locking casters are attached to the base of the desk with M8 x 15mm threaded stems. Fully assembled, the desk has a range of 15.75 inches and can be set to any height between 26.5" and 42.25".

MECHANISM

The desk adjusts by a single handed lever release. The lever activates a 150N pneumatic cylinder by way of braided steel cable.



MODESTY PANEL

Optional modesty panel available in one size that fits all desk shape options and comes powder coated in platinum. Panels are constructed from 18 Ga sheet steel, and secured with four #10 x 1" phillips woods screws drilled directly into underside of top..

LAMINATE OPTIONS:



Amber Cherry Asian Night Castle Oak Fusion Maple Graphite Nebula Gray Elm Gray Nebula Low Line White Board

EDGEBAND COLORS:

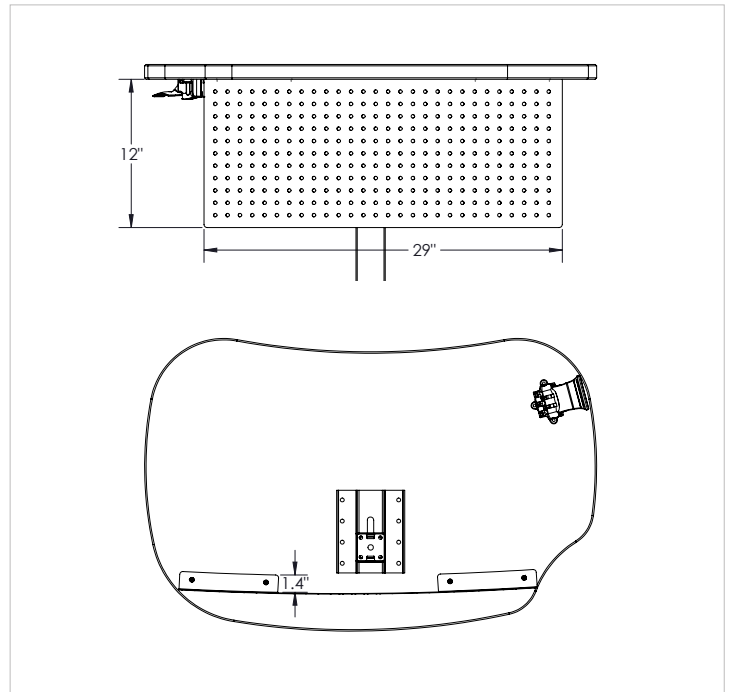
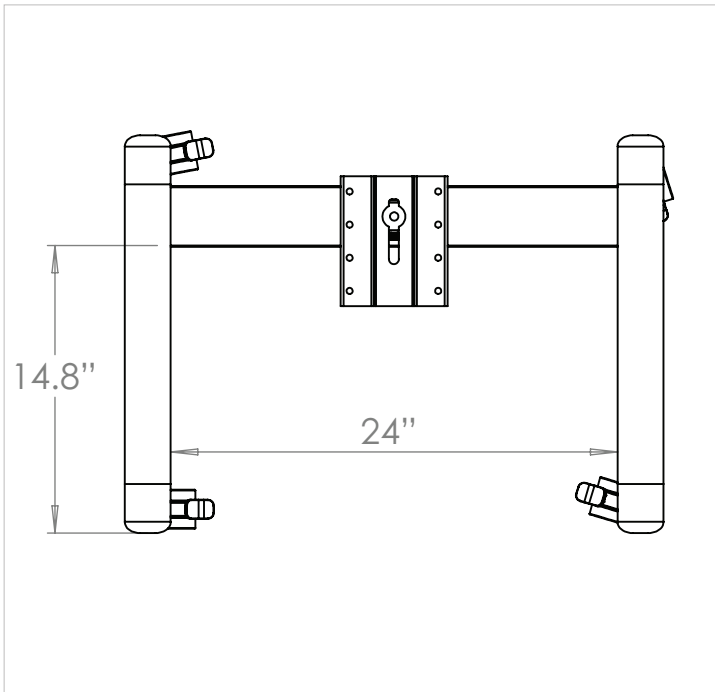
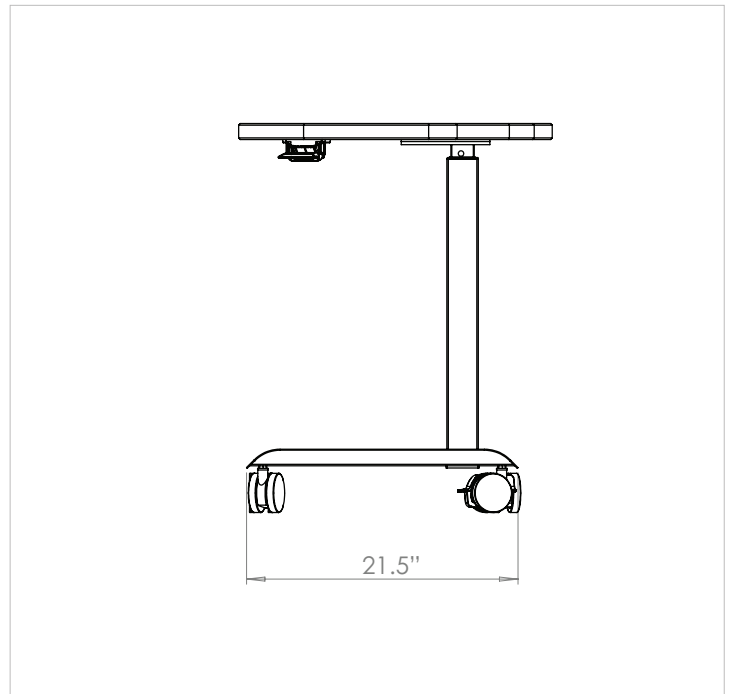
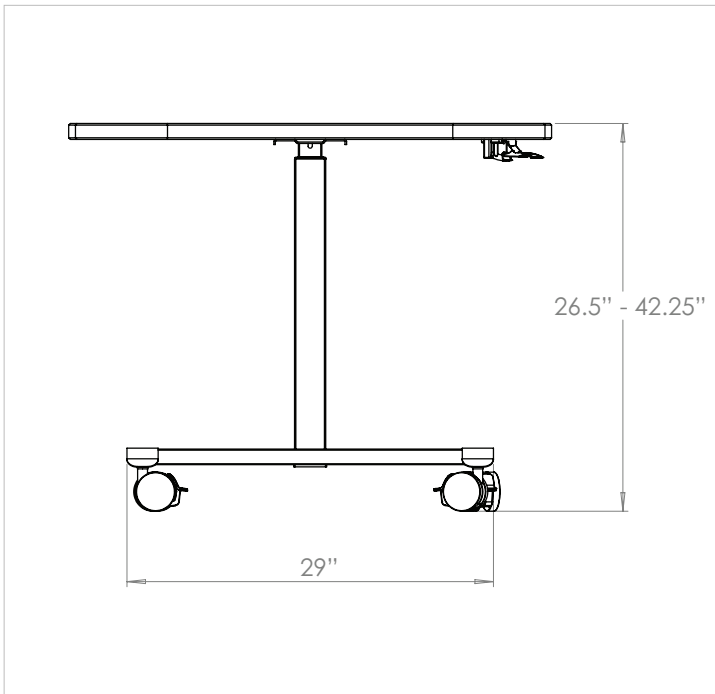


Black Platinum Cool Gray Purple Navy Blue Green Yellow Orange Red

FRAME/PANEL:



Platinum



DIMENSIONS:

Base Model No.	Description	Height Range	Width	Depth
59040 - A	Hierarchy Grow and Roll - Table- Large Fender Top	26.5" - 42.25"	36"	24"
59040 - B	Hierarchy Grow and Roll - Table- Large Beluga Top	26.5" - 42.25"	34"	24"
59040 - C	Hierarchy Grow and Roll - Table- Rectangle Top	26.5" - 42.25"	36"	24"
59040 - D	Hierarchy Grow and Roll - Table- Bean Top	26.5" - 42.25"	36"	24"

OPTIONS/ACCESSORIES:

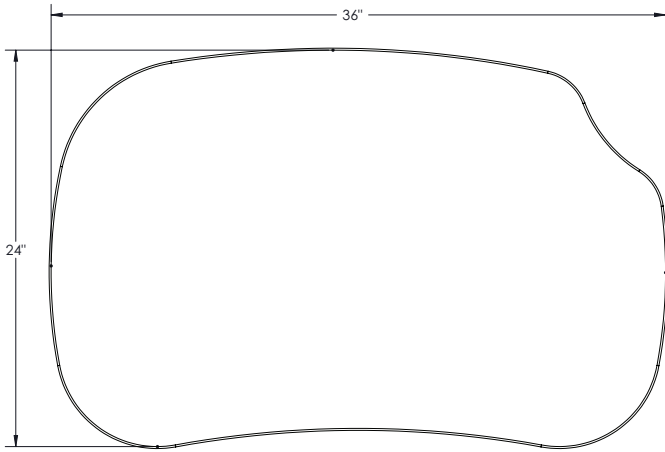
Base Model No.	Description
66284	Small Grow and Roll Modesty Panel



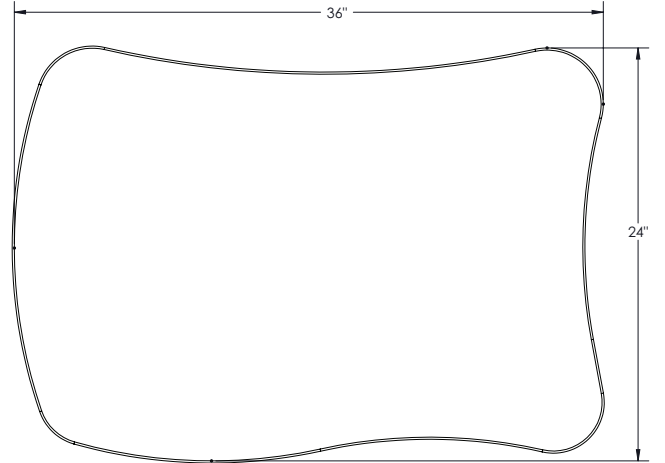
MooreCo, Inc.
 2885 Lorraine Avenue | Temple, TX 76501
 p: 800.749.2258 | f: 866.888.7483
www.moorecoinc.com

Table Dimensions

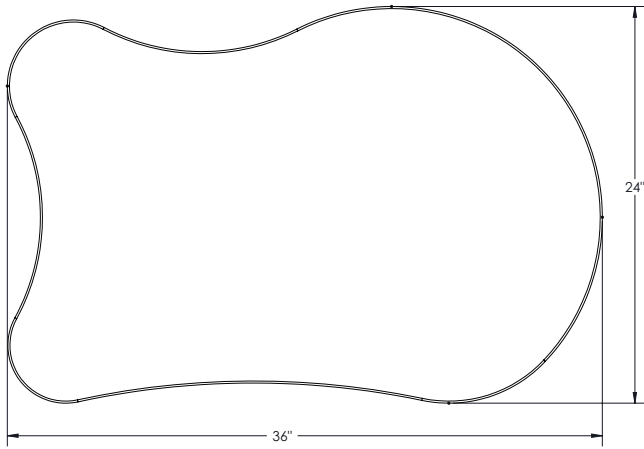
Bean Top:



Large Beluga Top:



Large Fender Top:



Rectangle Top:

