

## Hierarchy 4-Leg Stool

Model No: 53220-XXXX, 53221-XXXX

### OVERVIEW:

Hierarchy Stools are available in two heights, 24" and 30".

### SHELL SPECIFICATIONS:

Seat is designed as a single-piece structurally engineered injection-molded shell of reinforced polypropylene. Dual molded in support channels eliminate the need for any external surface support ribs or exposed tubing. Shell construction yields an extremely durable yet flexible shell with a clean and pleasing aesthetic. Patented shell geometry and design yields an extremely comfortable and ergonomic seat surface. Large carrying handle shall be centered for best weight distribution and ease of use. The shell is offered in all eight (8) Hierarchy colors.

### FRAME SPECIFICATIONS:

4-leg frame is constructed of 1" 16-gauge cold rolled tubular steel front and rear legs are fully welded to two 14-gauge U-channel support brackets for superior strength and durability. The footring is constructed of a single piece of 1/2" 16 gauge steel tube. The frame support brackets attach to the poly seat shell using four (4) 1/4" steel pop rivets for superior load bearing capacity and tamper proof, higher shear strength shell retention. Poly shell chairs are rated for use up to 250lbs. Frame is available in chrome finish.

### GLIDE SPECIFICATIONS:

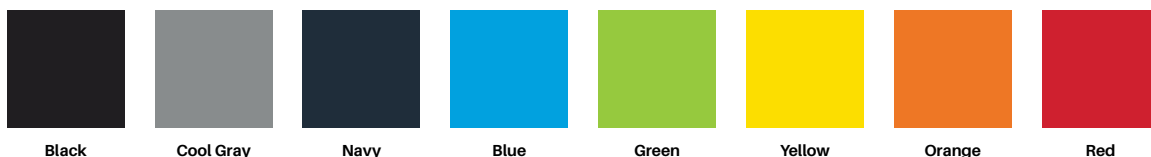
Steel swivel glides utilize an internal star clip and are standard in white nylon to accommodate a variety of flooring types.



### COMPLIANCE:

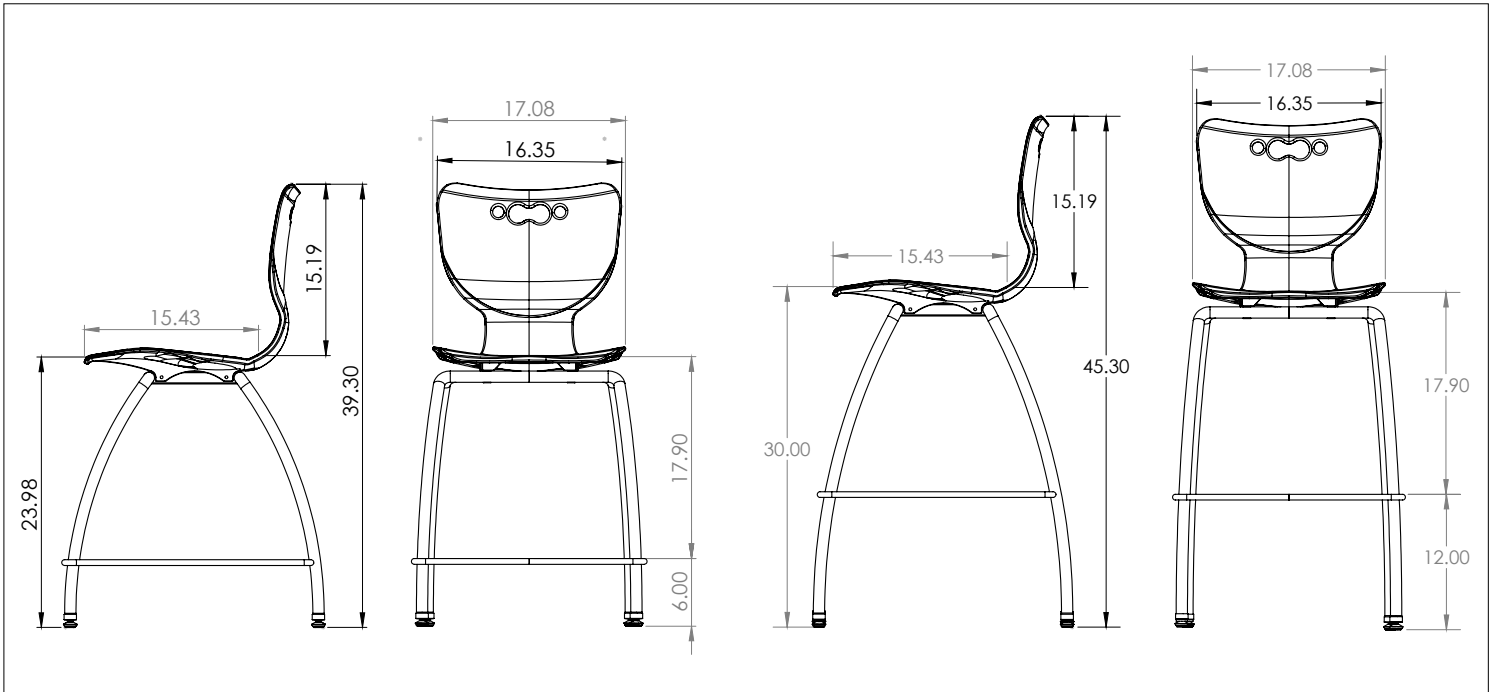
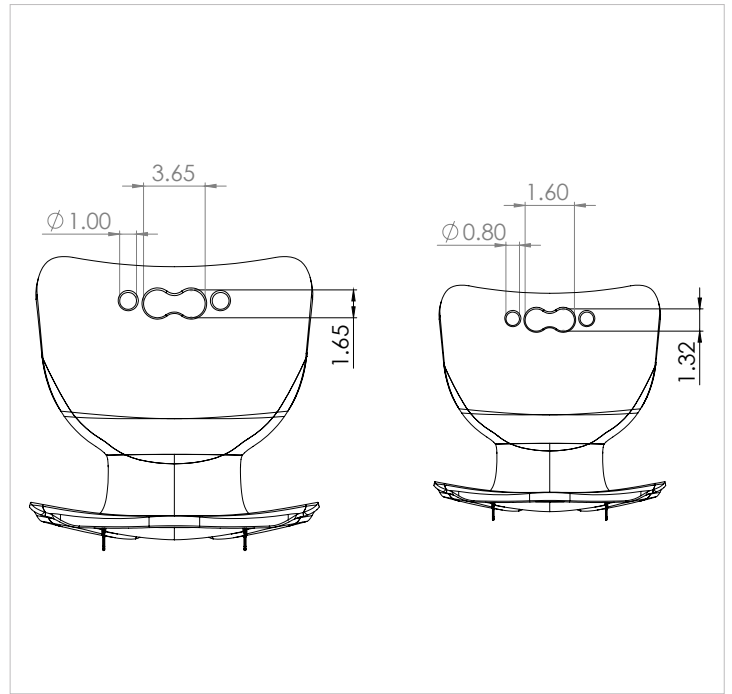
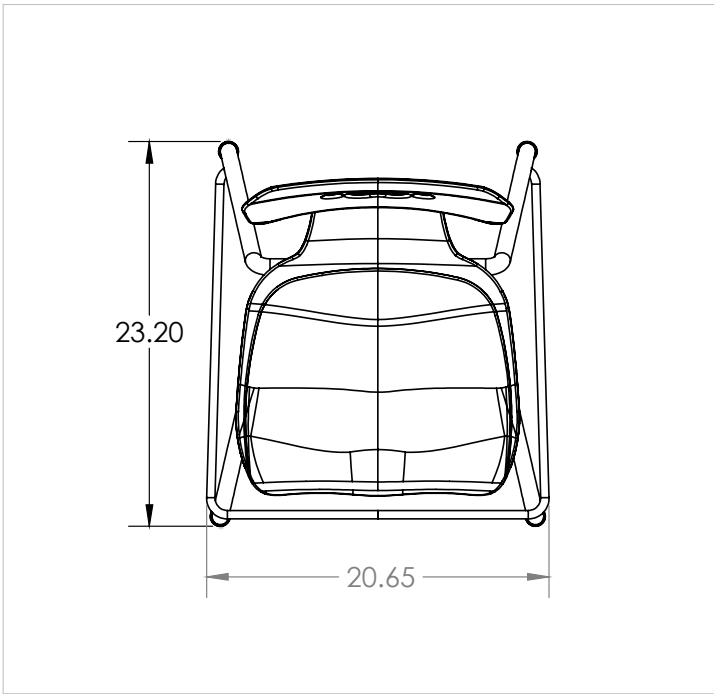
Indoor Advantage Gold certified.

### SEAT COLOR:



### FRAME COLOR:





## DIMENSIONS:

Base Model No.	Height - Seat "	Width - Seat "	Depth - Seat "	Height - Seat Back"	Width - Overall"	Depth - Overall"	Weight - Lbs.
53220-XXXX	24"	17.08"	15.43"	15.19"	20.65"	23.2"	16 Lbs.
53221-XXXX	30"	17.08"	15.43"	15.19"	20.65"	23.2"	17 Lbs.