

## Alekto Compact Sit & Stand Workstation

Model No: 42551

### OVERVIEW:

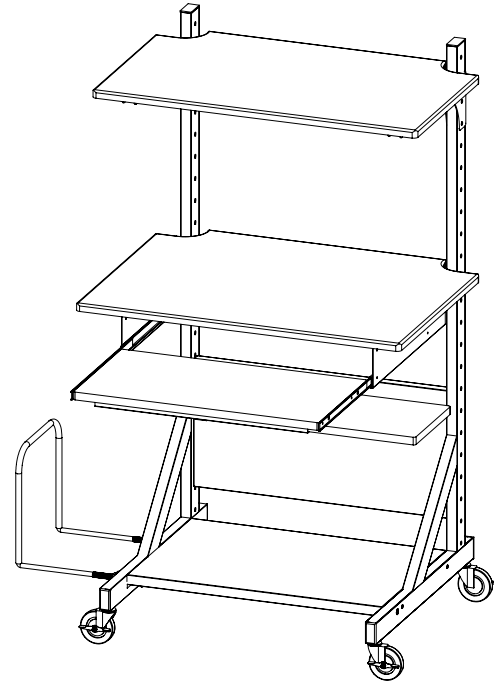
A versatile compact sit or stand workstation, the Alekto is ideal for smaller or space limited work areas.

### CONSTRUCTION

18 gauge steel rectangular tube uprights and feet with welded brace. Uprights have 2" spaced holes for adjusting shelf height. 14 gauge steel brackets for top shelf. 18 gauge sheetmetal supports and base. All steel powder coated in silver. 18 gauge steel wire CPU holder attaches to either side of frame.

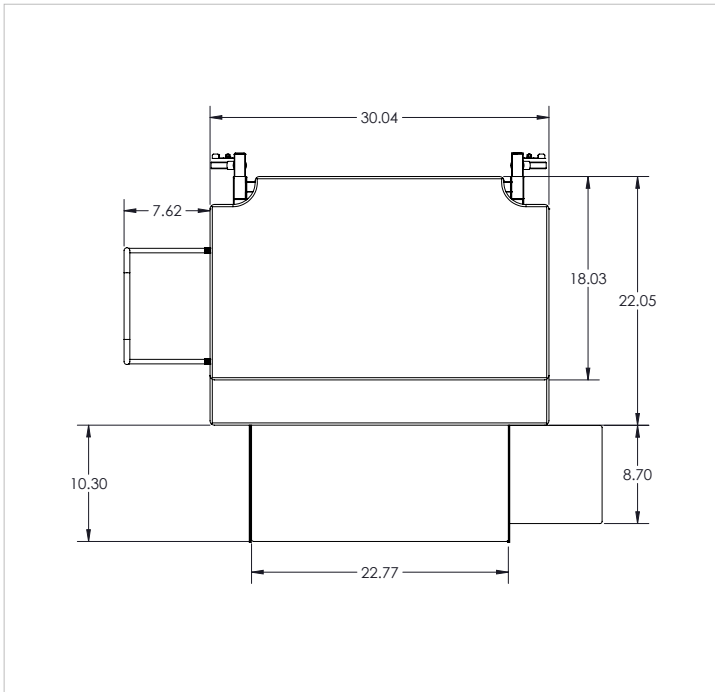
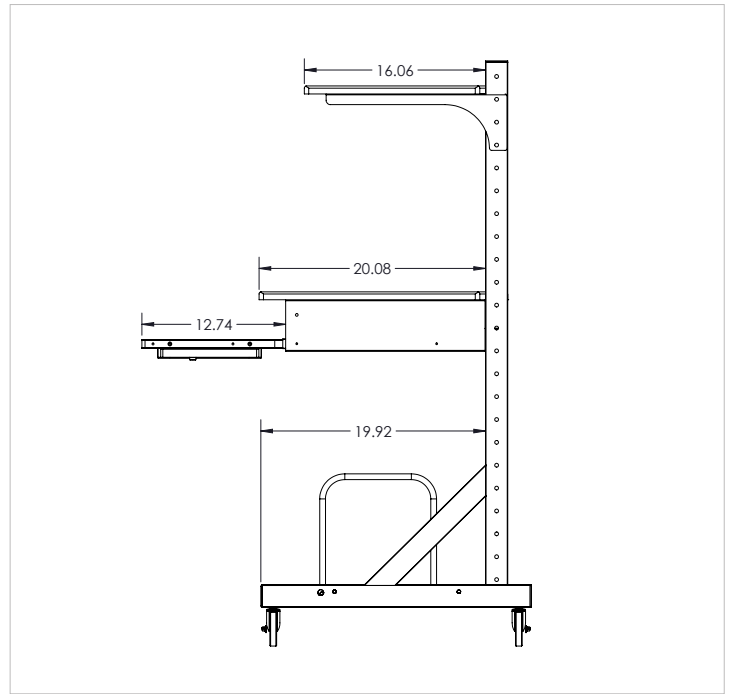
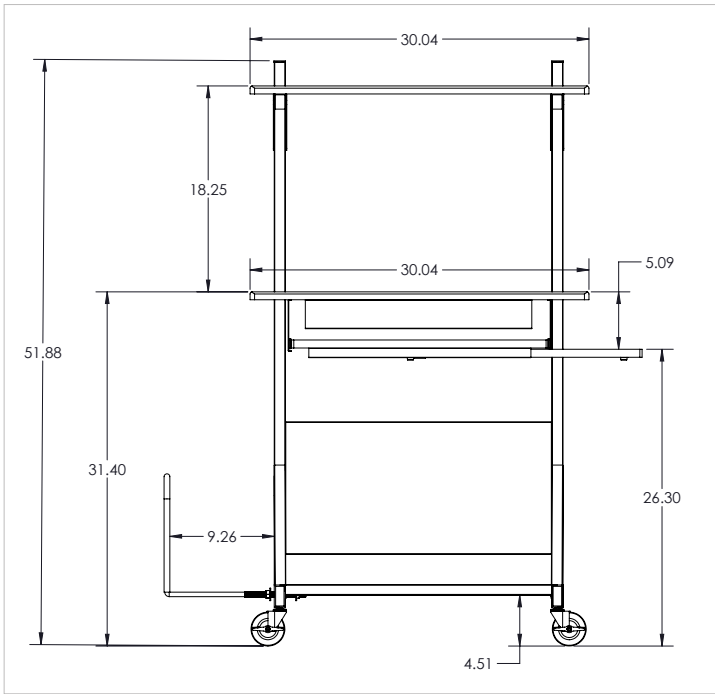
### CASTERS

Workstation has two locking and two non-locking 3" casters.



### COMPLIANCE:

Indoor Advantage Gold certified.



**DIMENSIONS:**

Base Model No.	Description	Height	Width	Depth
42551	Alekto Workstation	27.5" - 52.5"	30"	24"