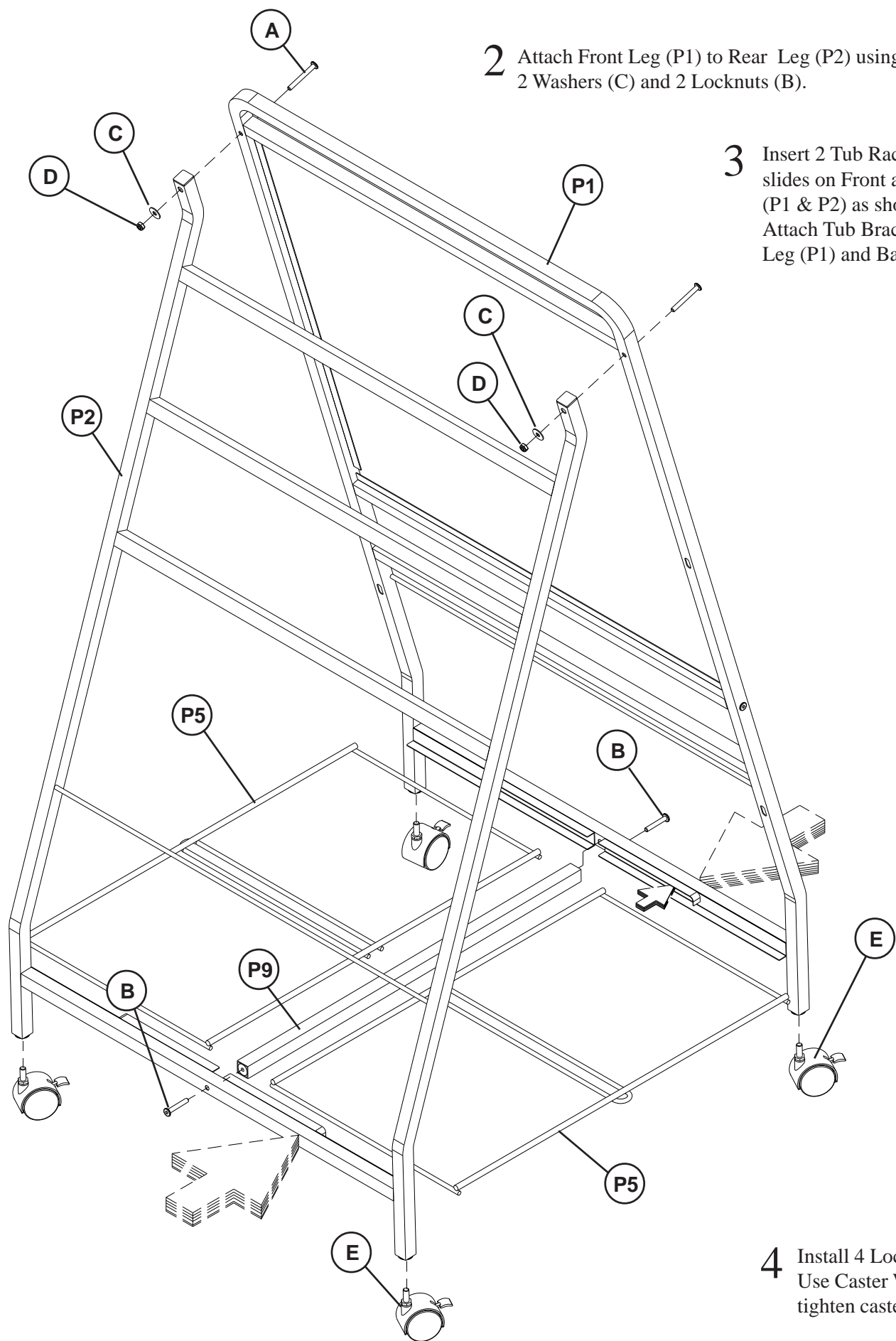


1 READ THROUGH INSTRUCTIONS FROM BEGINNING TO END BEFORE STARTING TO ASSEMBLE UNIT.



2 Attach Front Leg (P1) to Rear Leg (P2) using 2 Screws (A), 2 Washers (C) and 2 Locknuts (B).

3 Insert 2 Tub Racks (P5) into the slides on Front and Back Leg (P1 & P2) as shown in illustration. Attach Tub Brace (P9) to Front Leg (P1) and Back Leg (P2).

4 Install 4 Locking Casters (E). Use Caster Wrench (G) to tighten casters.

Parts List

P-1		Front Leg w/Markerboard	1 EA
P-2		Rear Leg	1 EA
P-3		Middle Shelf	1 EA
P-4		Big Book Rack	1 EA
P-5		Tub Rack	2 EA
P-6		Tub	4 EA
P-7		Dry Erase Magnet Sheet	1 EA
P-8		Plastic Tray	1 EA
P-9		Tub Brace	1 EA

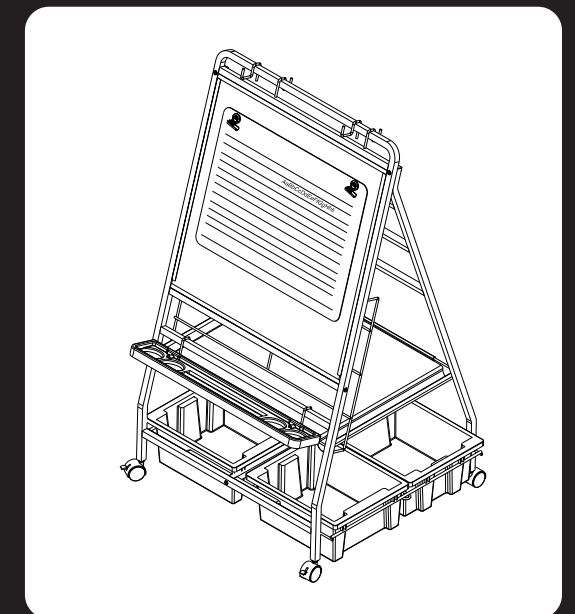
Missing Parts or UPS Damaged Parts
 For Your Convenience you can
 EMAIL us at
boards@bestrite.com
 24HOURS 7 DAYS A WEEK

Hardware List

A		Screw M6x50mm	2 EA
B		Screw M6x38mm	2 EA
C		Flat Washer	2 EA
D		Lock Nut 6mm	2 EA
E		2" Locking Caster	4 EA
F		Allen Wrench	1 EA
G		Caster Wrench	1 EA
H		Small "S" Hooks	4 EA
I		Large "S" Hooks	2 EA
J		Magnet Clips	2 EA
K		Threaded Hook	2 EA
L		Small Wrench	1 EA

BEST-RITE®
"It's A Better Board"

#805 TLC-2
 Teacher's Learning Center

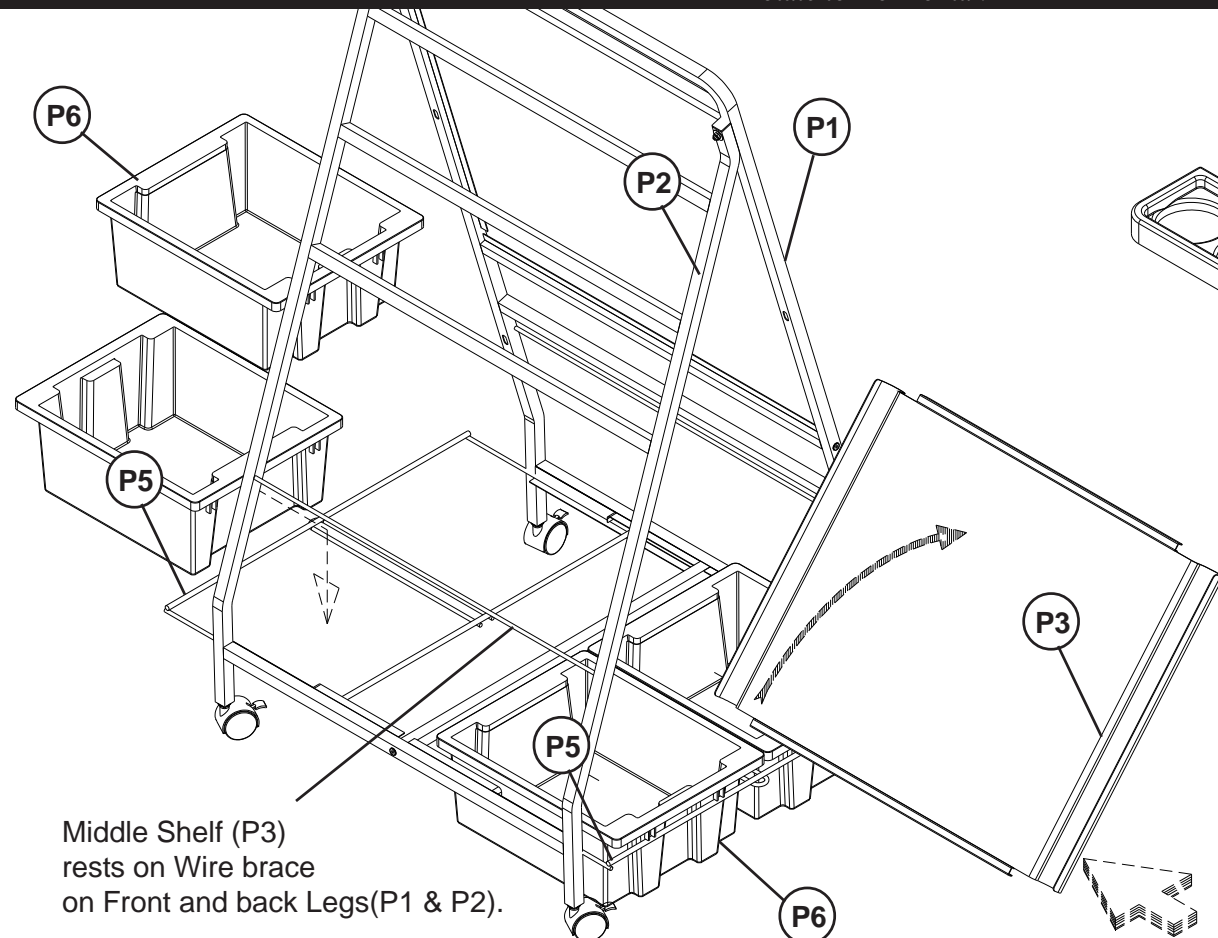


5 Insert 4 StorageTubs (P6).

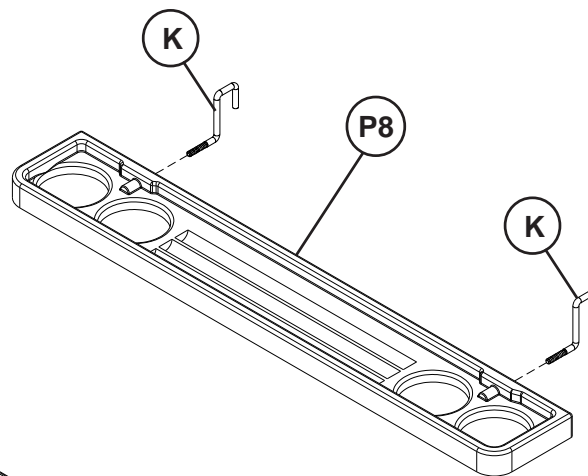
6 Insert Middle Shelf (P3) from side. Rotate to Horizontal.

7 Attach Hooks (K) to Plastic Tray (P8).

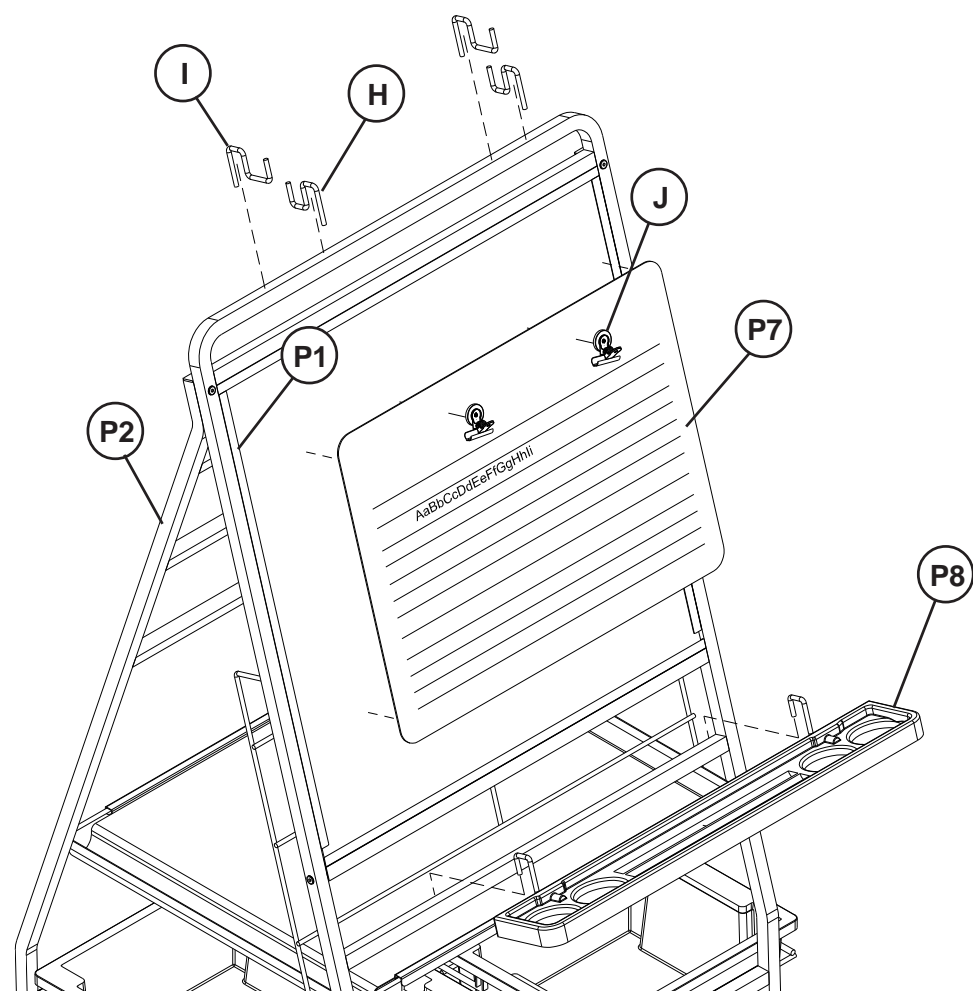
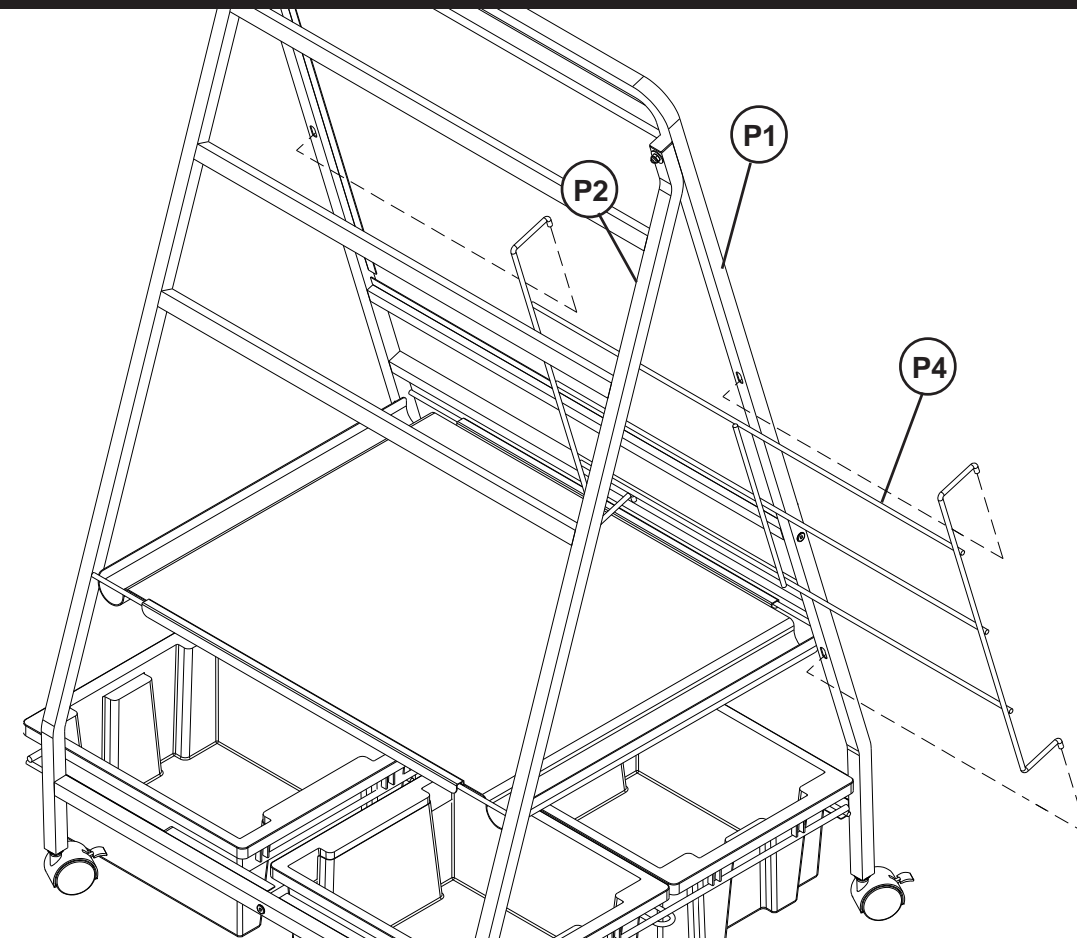
8 Attach Big Book Rack (P4).



Middle Shelf (P3) rests on Wire brace on Front and back Legs(P1 & P2).



BEST-RITE®
"It's A Better Board"



9 Attach Chart Hooks (H) & (I).

10 Attach Plastic Tray (P8). Attach Dry Erase Magnetic Sheet (P7).

Tighten screws using Allen Wrench (F) and small Wrench (L).

