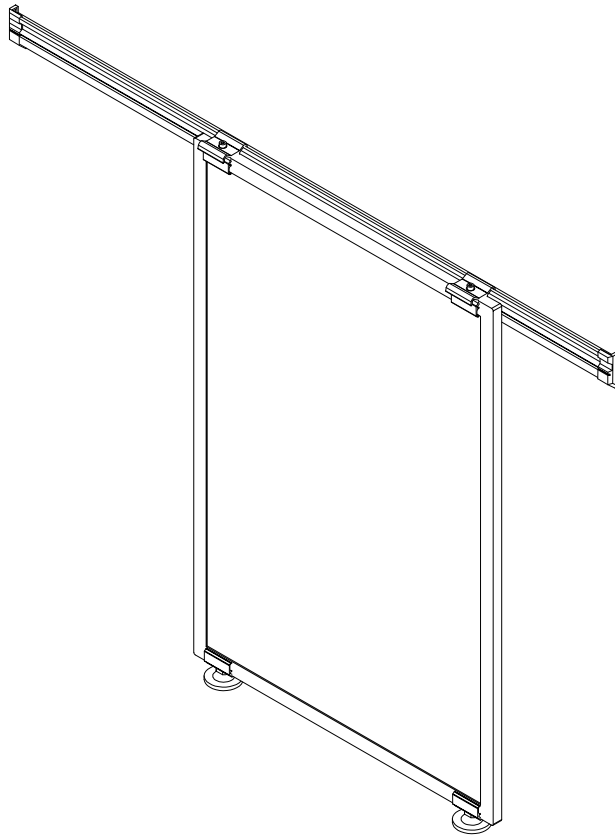


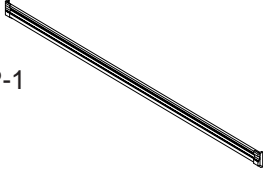
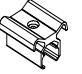
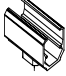

mooreco®

# Whiteboard Track System

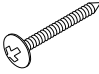
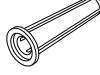
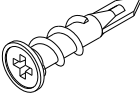
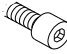
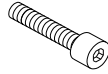



**Assembly Instructions**

# Whiteboard Track System

Part	Drawing	Description	Qty
P-1		Track	1 EA
P-2		Top Bracket	2 EA
P-3		Bottom Bracket	2 EA
P-4		Bottom Wheel	2 EA

**Hardware List**

A		Long Screw (1-1/4" )	
B		Screw Anchor - Concrete	
C		Screw Anchor - Drywall	
D		Top Bracket Screw	2 EA
E		Bottom Bracket Screw	2 EA
F		Bottom Bracket Washer	2 EA

Use Screw Anchor (C) in place of Screw Anchor (B) for Drywall Applications.

**Should you require assistance during assembly,  
please call our  
Customer Service Department  
Monday - Friday 8 a.m. - 5 p.m.  
Central Standard Time  
Toll-Free Customer Service  
**1-800-749-2258****

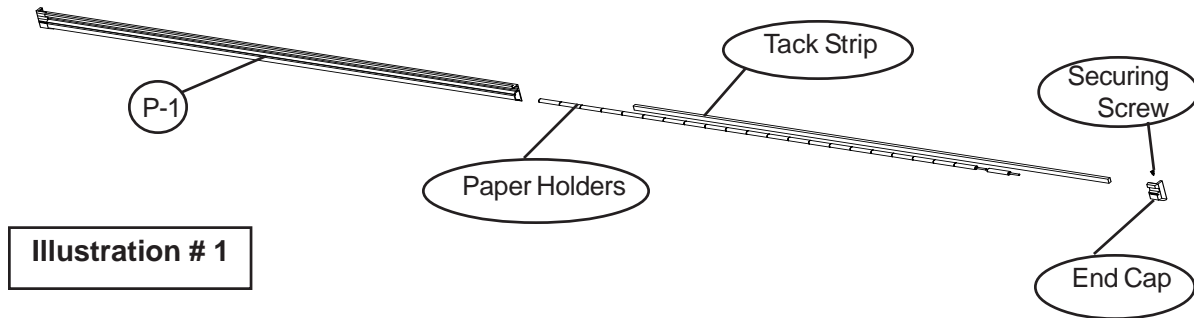
**Missing Parts or UPS Damaged Parts**  
For Your Convenience you can  
EMAIL us at  
**[support@moorecoinc.com](mailto:support@moorecoinc.com)**  
24HOURS 7 DAYS A WEEK

## Important Information

Do not use unless all screws are tight. At least every six months, check all screws to be sure they are tight. If parts are missing, broken, damaged, or worn, stop use of the product until repairs are made by your dealer using factory authorized parts.

## To Assemble and Attach to Wall:

1. Identify and Separate all the Parts and Hardware.
2. Remove the right End Cap's securing screw and the right End Cap on the Track (P-1) assembly. Slide the Tack Strip out of the Track. You may also remove the plastic Paper Holders out of the Track as shown in illustration #1.



3. Place your Track (P-1) on the wall at the height you have chosen and center. Draw a line along the bottom edge of the Track. If you are mounting the Track to a stud wall, determine the stud locations and predrill a 1/8" diameter hole through the Track in the center of the Tack Strip's recess and into the wall stud. Attach the Track (P-1) to the wall using the Long Screws (A). See illustration #2.

NOTE: Make sure you have a Long Screw (A) holding the Track (P-1) at 6" or less from each end. This may require you to install a drywall Screw Anchor (C) into the wall first and then connect using a Long Screw (A) through the Track and into the Screw Anchor. See Detail

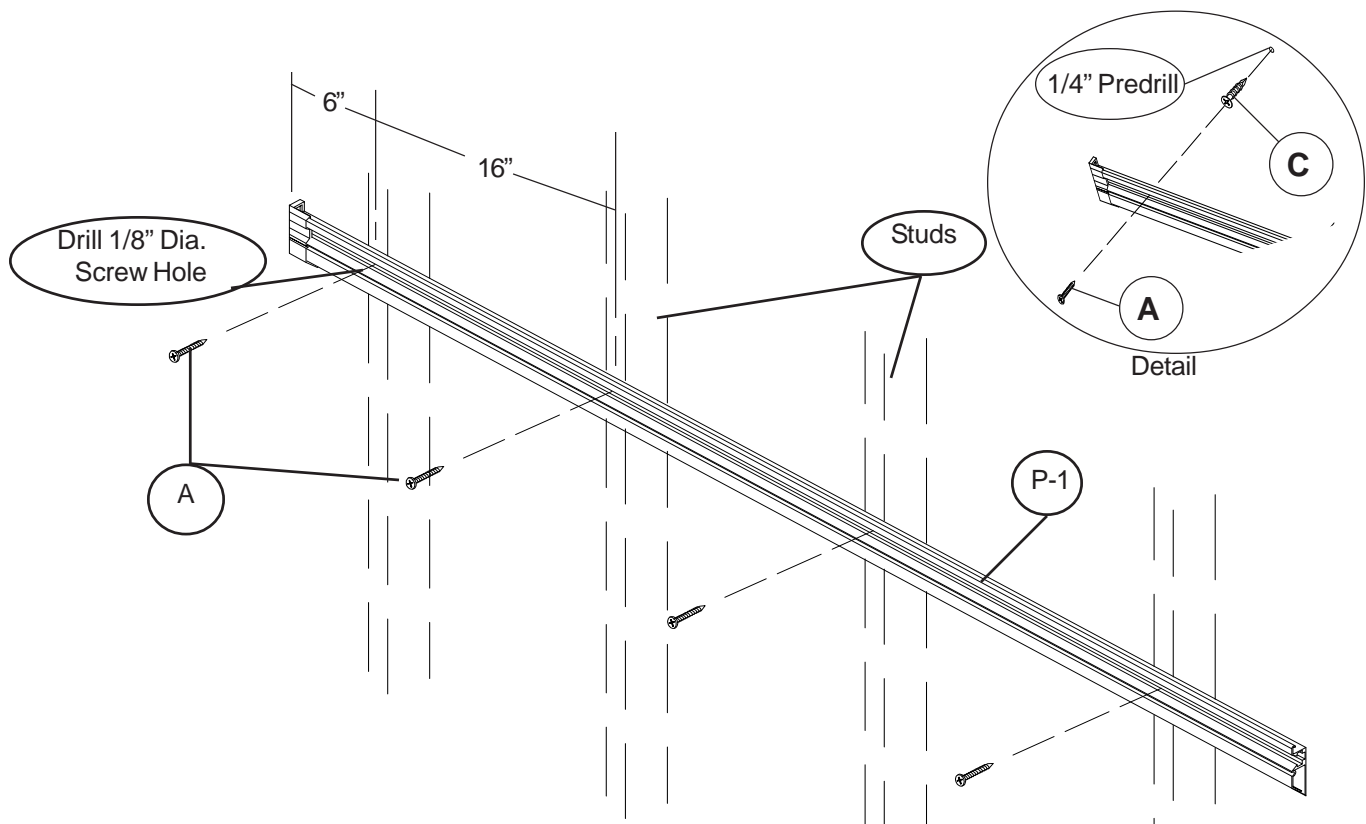
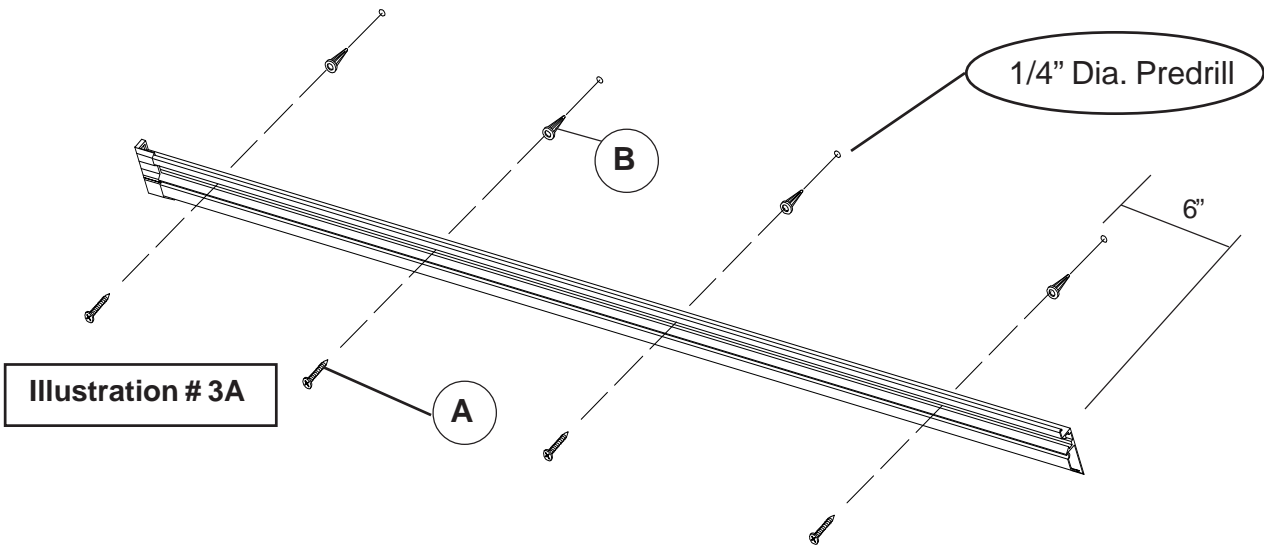


Illustration # 2

3A. For Masonry Walls:

Follow Step 3 and drill through the Track (P-1) and into the masonry wall with a 1/8" diameter drill on 16" centers and about 6" from each end. Remove the Track and drill a 1/4" diameter hole into each 1/8" hole in the wall. Install Masonry Anchors (B) into the 1/4" diameter holes.



4. Insert the plastic Paper Holders back into the bottom groove in the Track (P-1). Slide the Tack Strip insert back into the top recess in the Track. Replace the right End Cap and secure in place with the Securing Screw you removed in Step #2.

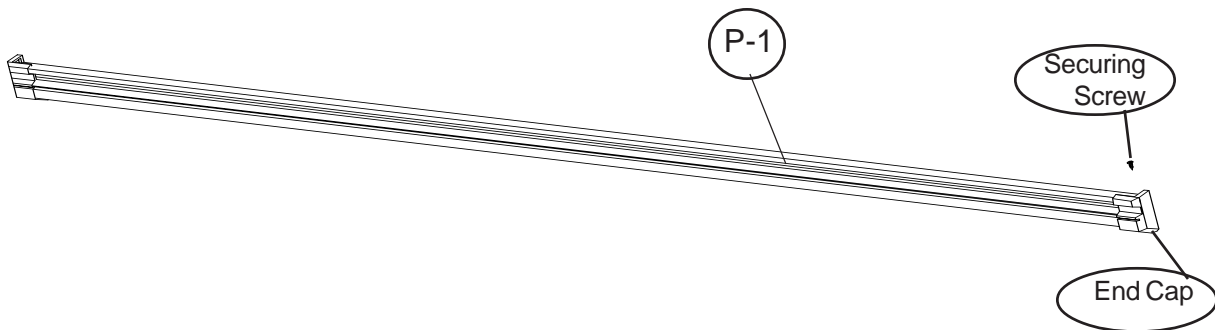
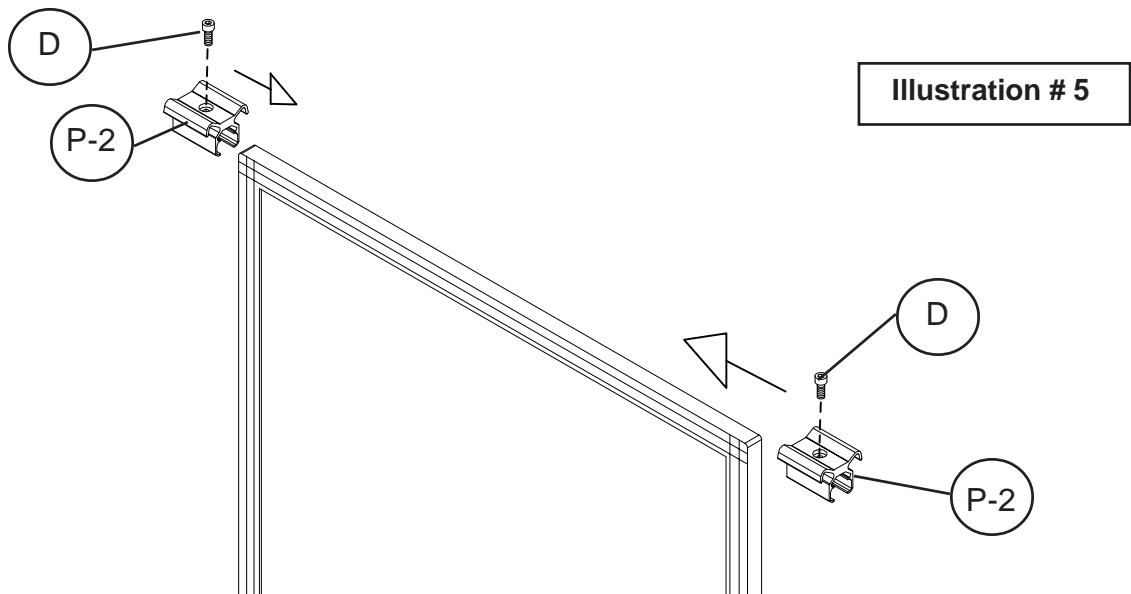


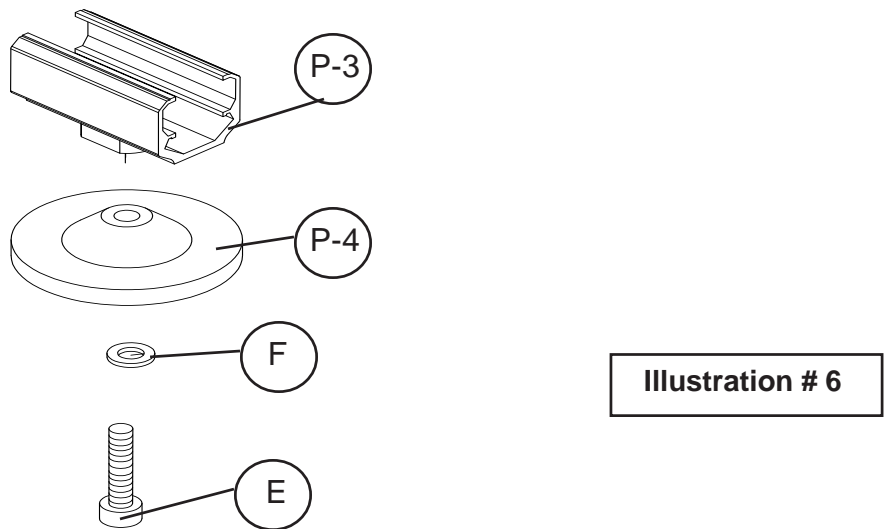
Illustration # 4

5. Hanging a board on the Intuition Track System:

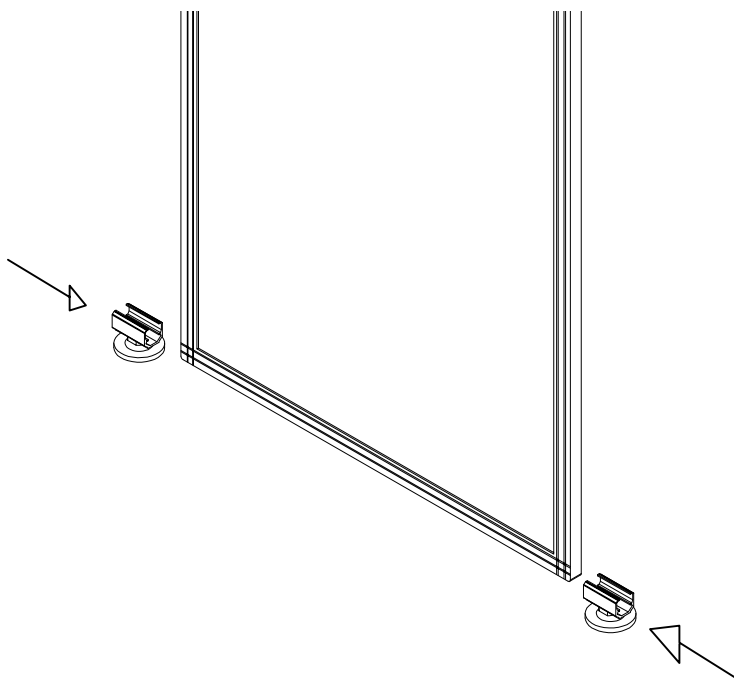
Slide on two Top Brackets (P-2) over the top extrusion of your board as shown in illustration #5. Push one Top Brackets to the far left and one to the far right of your board. Install one Top Bracket Screw (D) into each Top Bracket (P-2) and finger tighten to secure in place.



6. Assemble the Bottom Bracket (P-3) to the Bottom Wheel (P-4) using a Bottom Bracket Screw (E) and Bottom Bracket Washer (F) as shown in illustration #6. Repeat this step for the second Bottom Bracket assembly. Leave the Bottom Bracket Screws loose.

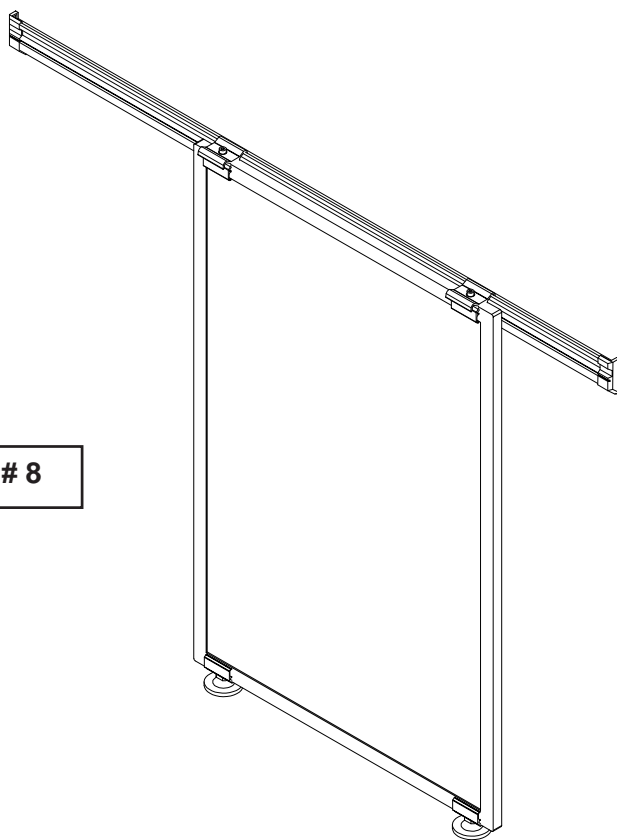


- Slide each Bottom Bracket assembly on the bottom extrusion of your board as shown in illustration #7. Finger tighten each Bottom Bracket Screw (E) to secure Bottom Bracket assemblies in place.



**Illustration # 7**

- Hook your board's Top Brackets over the top of the Track (P-1). Your board should now be able to slide right or left on the Intuition Track System. See illustration #8.



**Illustration # 8**