

## Akt Tables

Part Numbers: SD-AK29R-XXXX-XX, SD-AK36R-XXXX-XX,  
SD-AK42R-XXXX-XX, SD-AK29F-XXXX-XX,  
SD-AK36F-XXXX-XX, SD-AK42F-XXXX-XX

### OVERVIEW:

The new Akt Tables collection is ideally suited for higher education and workforce applications with a robust unitized frame and footrest option for comfort in collaboration.

### TOP:

The top is made of 1 1/8" Particleboard Core with 3mm Flat Vinyl T-Mold Edge. The work surface is constructed of 45# particleboard core with high-pressure laminate (HPL) top surface and phenolic backer sheet for balanced construction. 1 1/8" 3mm flat vinyl t-mold is secured to the work surface with brad nails along the perimeter. See feature sheet for laminate and edgeband color options.

### FRAME:

Unitized frame consists of aluminum extrusions connected to glass filled polypropylene corner pieces with self tapping 1/4-20 x 1.75" countersunk screws. Sliding steel clips on extrusions fasten to top with #10 x 1" wood screws. Three to six clips are used per table depending on frame size.

### LEGS:

Legs come in two different styles and three different heights, each connecting to plastic molded corners via an outer and inner clamping insert and a single 1/4-20 x 2.5" screw (3" screws used for rectangular leg option). Each leg is also mounted to underside of top with ten #10 x 1" wood screws through a 11 gauge steel mounting plate. Legs are constructed of 14 gauge steel tube with options of 20mm x 50mm rectangular or 2" round tube legs.

### FOOTREST:

A footrest is standard with 36" and 42" height legs (not 29"). Foot rest is composed of three pieces of ovular or rectangular aluminum extrusion depending on leg style and a total of twelve 1/4-20 x 1.75" screws. Each exposed end of extrusion receives a plastic end cap. A steel bracket is screwed to shorter extrusion ends and these brackets mount to inside of legs with two M6x12mm screws per leg.



### CASTERS:

Dual-wheel casters are 75mm diameter with a zinc core and 10mm

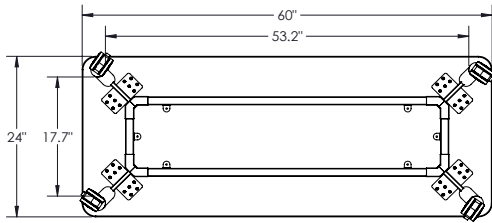
polyurethane tread.

### COMPLIANCE:

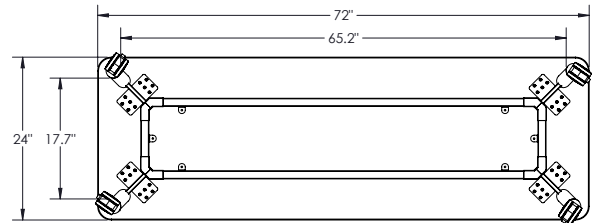
Indoor Advantage Gold certified.

All Akt Tables pass BIFMA table and leg static load tests as well as leg pull test requirements.

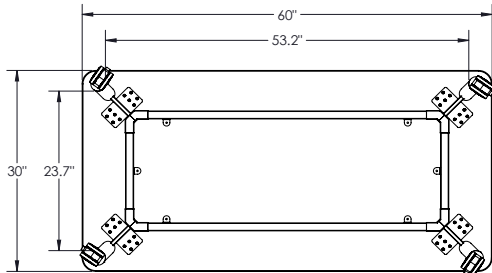
**24 x 60 RECTANGLE**



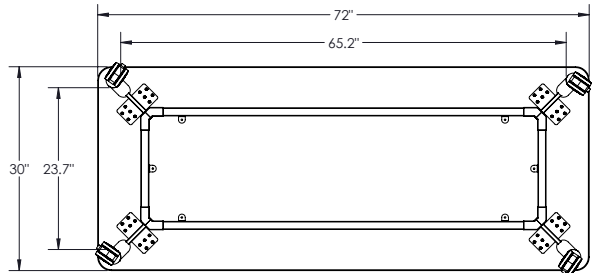
**24 X 72 RECTANGLE**



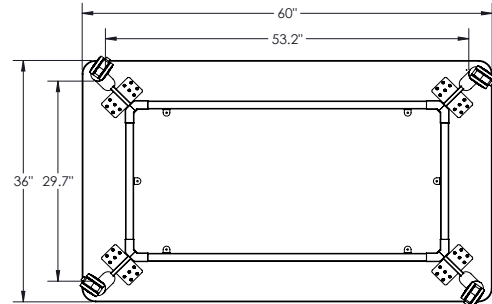
**30 X 60 RECTANGLE**



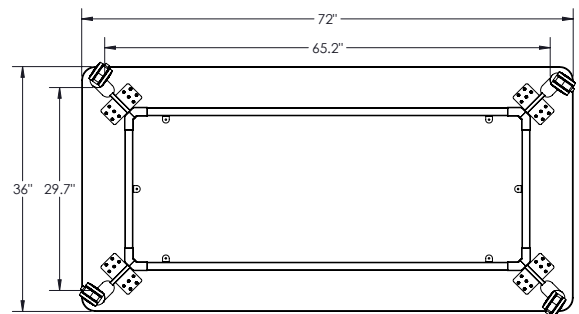
**30 X 72 RECTANGLE**



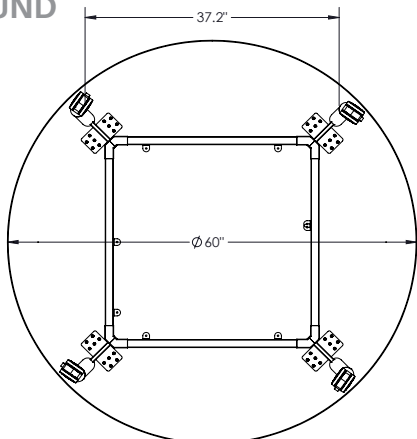
**36 X 60 RECTANGLE**



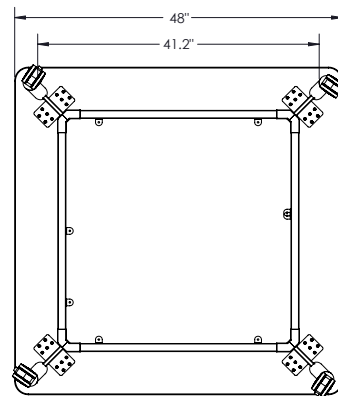
**36 X 72 RECTANGLE**



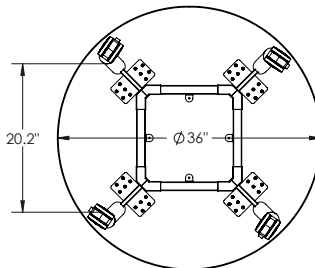
**60 ROUND**



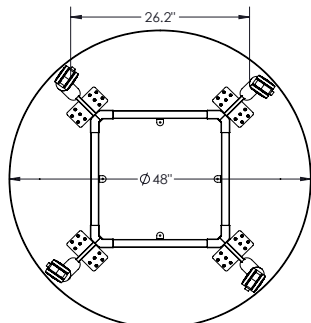
**48 SQUARE**



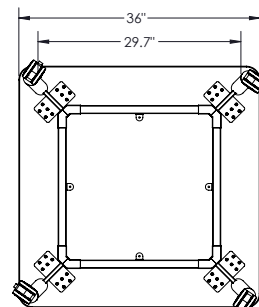
**36 ROUND**



**48 ROUND**



**36 SQUARE**



**MOORECO**

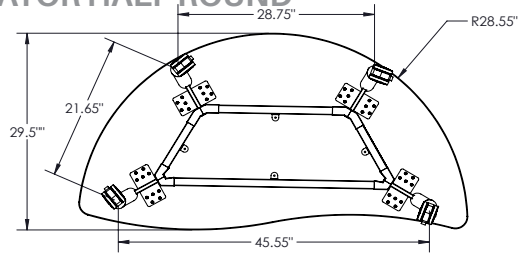
**MOORECO INC.**

2885 Lorraine Avenue | Temple, TX 76501

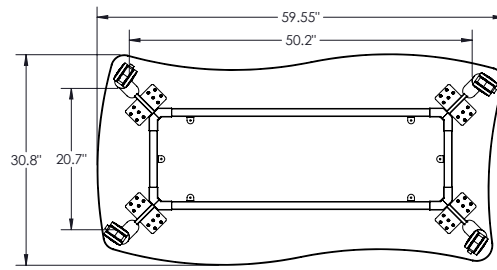
p: 800.749.2258 | f: 866.888.7483

[www.moorecoinc.com](http://www.moorecoinc.com)

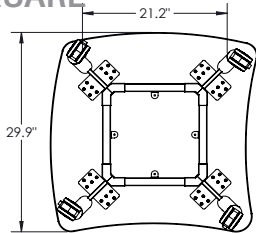
**CREATOR HALF ROUND**



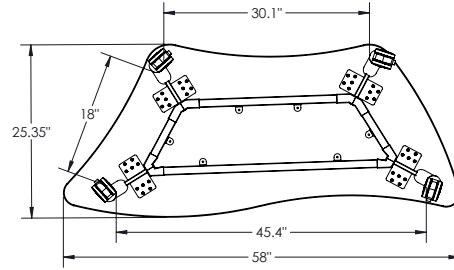
**CREATOR RECTANGLE**



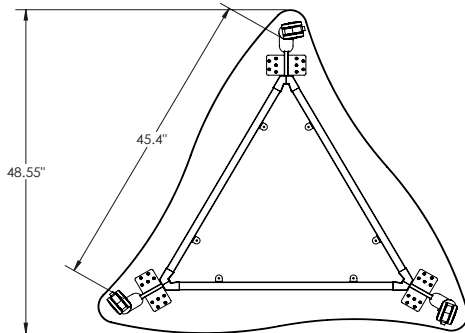
**CREATOR SQUARE**



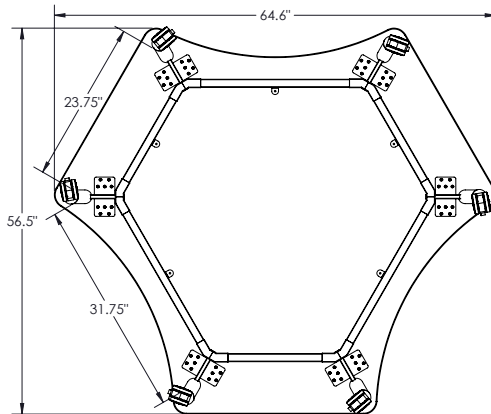
**CREATOR TRAPEZOID**



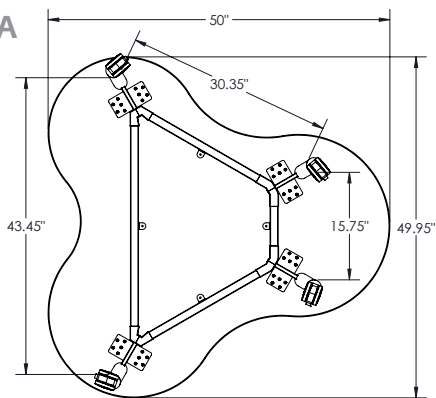
**CREATOR TRIANGLE**



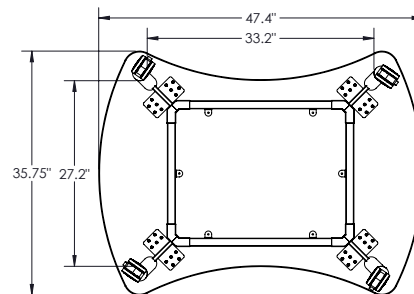
**HUB**



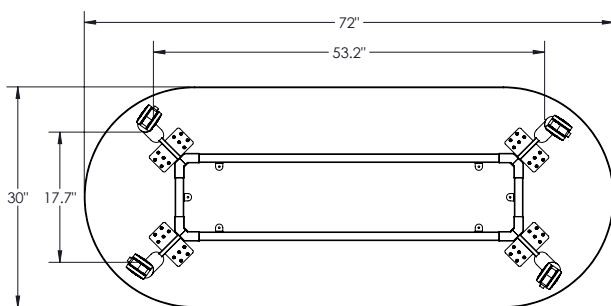
**AMOEBA**



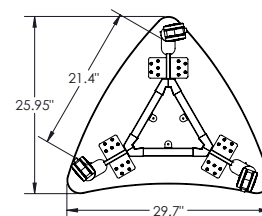
**QUAD**



**RACETRACK**



**CHEVRON**



**MOORECO**

**MOORECO INC.**

2885 Lorraine Avenue | Temple, TX 76501

p: 800.749.2258 | f: 866.888.7483

[www.moorecoinc.com](http://www.moorecoinc.com)

Base Model No.	Description	Seats per Table	Height	Overall Width x Depth
SD-AA29R-XXXX-XX	20x60 Rectangle - 29 Inch Rectangle	4	29"	60"W x 20"D
SD-AA36R-XXXX-XX	20x60 Rectangle - 36 Inch Rectangle	4	36"	60"W x 20"D
SD-AA42R-XXXX-XX	20x60 Rectangle - 42 Inch Rectangle	4	42"	60"W x 20"D
SD-AA29F-XXXX-XX	20x60 Rectangle - 29 Inch Round	4	29"	60"W x 20"D
SD-AA36F-XXXX-XX	20x60 Rectangle - 36 Inch Round	4	36"	60"W x 20"D
SD-AA42F-XXXX-XX	20x60 Rectangle - 42 Inch Round	4	42"	60"W x 20"D
SD-AC29R-XXXX-XX	24x60 Rectangle - 29 Inch Rectangle	4	29"	60"W x 24"D
SD-AC36R-XXXX-XX	24x60 Rectangle - 36 Inch Rectangle	4	36"	60"W x 24"D
SD-AC42R-XXXX-XX	24x60 Rectangle - 42 Inch Rectangle	4	42"	60"W x 24"D
SD-AC29F-XXXX-XX	24x60 Rectangle - 29 Inch Round	4	29"	60"W x 24"D
SD-AC36F-XXXX-XX	24x60 Rectangle - 36 Inch Round	4	36"	60"W x 24"D
SD-AC42F-XXXX-XX	24x60 Rectangle - 42 Inch Round	4	42"	60"W x 24"D
SD-AB29R-XXXX-XX	20x72 Rectangle - 29 Inch Rectangle	4	29"	72"W x 20"D
SD-AB36R-XXXX-XX	20x72 Rectangle - 36 Inch Rectangle	4	36"	72"W x 20"D
SD-AB42R-XXXX-XX	20x72 Rectangle - 42 Inch Rectangle	4	42"	72"W x 20"D
SD-AB29F-XXXX-XX	20x72 Rectangle - 29 Inch Round	4	29"	72"W x 20"D
SD-AB36F-XXXX-XX	20x72 Rectangle - 36 Inch Round	4	36"	72"W x 20"D
SD-AB42F-XXXX-XX	20x72 Rectangle - 42 Inch Round	4	42"	72"W x 20"D
SD-AD29R-XXXX-XX	24x72 Rectangle - 29 Inch Rectangle	4	29"	72"W x 24"D
SD-AD36R-XXXX-XX	24x72 Rectangle - 36 Inch Rectangle	4	36"	72"W x 24"D
SD-AD42R-XXXX-XX	24x72 Rectangle - 42 Inch Rectangle	4	42"	72"W x 24"D
SD-AD29F-XXXX-XX	24x72 Rectangle - 29 Inch Round	4	29"	72"W x 24"D
SD-AD36F-XXXX-XX	24x72 Rectangle - 36 Inch Round	4	36"	72"W x 24"D
SD-AD42F-XXXX-XX	24x72 Rectangle - 42 Inch Round	4	42"	72"W x 24"D
SD-AE29R-XXXX-XX	30x60 Rectangle - 29 Inch Rectangle	4	29"	60"W x 30"D
SD-AE36R-XXXX-XX	30x60 Rectangle - 36 Inch Rectangle	4	36"	60"W x 30"D
SD-AE42R-XXXX-XX	30x60 Rectangle - 42 Inch Rectangle	4	42"	60"W x 30"D
SD-AE29F-XXXX-XX	30x60 Rectangle - 29 Inch Round	4	29"	60"W x 30"D
SD-AE36F-XXXX-XX	30x60 Rectangle - 36 Inch Round	4	36"	60"W x 30"D
SD-AE42F-XXXX-XX	30x60 Rectangle - 42 Inch Round	4	42"	60"W x 30"D
SD-AG29R-XXXX-XX	30x72 Rectangle - 29 Inch Rectangle	4	29"	72"W x 30"D
SD-AG36R-XXXX-XX	30x72 Rectangle - 36 Inch Rectangle	4	36"	72"W x 30"D
SD-AG42R-XXXX-XX	30x72 Rectangle - 42 Inch Rectangle	4	42"	72"W x 30"D
SD-AG29F-XXXX-XX	30x72 Rectangle - 29 Inch Round	4	29"	72"W x 30"D
SD-AG36F-XXXX-XX	30x72 Rectangle - 36 Inch Round	4	36"	72"W x 30"D
SD-AG42F-XXXX-XX	30x72 Rectangle - 42 Inch Round	4	42"	72"W x 30"D
SD-AK29R-XXXX-XX	36x60 Rectangle - 29 Inch Rectangle	4	29"	60"W x 36"D
SD-AK36R-XXXX-XX	36x60 Rectangle - 36 Inch Rectangle	4	36"	60"W x 36"D
SD-AK42R-XXXX-XX	36x60 Rectangle - 42 Inch Rectangle	4	42"	60"W x 36"D
SD-AK29F-XXXX-XX	36x60 Rectangle - 29 Inch Round	4	29"	60"W x 36"D
SD-AK36F-XXXX-XX	36x60 Rectangle - 36 Inch Round	4	36"	60"W x 36"D
SD-AK42F-XXXX-XX	36x60 Rectangle - 42 Inch Round	4	42"	60"W x 36"D
SD-AL29R-XXXX-XX	36x72 Rectangle - 29 Inch Rectangle	4	29"	72"W x 36"D
SD-AL36R-XXXX-XX	36x72 Rectangle - 36 Inch Rectangle	4	36"	72"W x 36"D
SD-AL42R-XXXX-XX	36x72 Rectangle - 42 Inch Rectangle	4	42"	72"W x 36"D
SD-AL29F-XXXX-XX	36x72 Rectangle - 29 Inch Round	4	29"	72"W x 36"D
SD-AL36F-XXXX-XX	36x72 Rectangle - 36 Inch Round	4	36"	72"W x 36"D
SD-AL42F-XXXX-XX	36x72 Rectangle - 42 Inch Round	4	42"	72"W x 36"D
SD-AF29R-XXXX-XX	30x72 Racetrack - 29 Inch Rectangle	4	29"	72"W x 30"D
SD-AF36R-XXXX-XX	30x72 Racetrack - 36 Inch Rectangle	4	36"	72"W x 30"D
SD-AF42R-XXXX-XX	30x72 Racetrack - 42 Inch Rectangle	4	42"	72"W x 30"D



**MOORECO**<sup>TM</sup>

**MOORECO INC.**

2885 Lorraine Avenue | Temple, TX 76501

p: 800.749.2258 | f: 866.888.7483

[www.moorecoinc.com](http://www.moorecoinc.com)

Base Model No.	Description	Seats per Table	Height	Overall Width x Depth
SD-AJ29R-XXXX-XX	36 Square - 29 Inch Rectangle	1	29"	36"W x 36"D
SD-AJ36R-XXXX-XX	36 Square - 36 Inch Rectangle	1	36"	36"W x 36"D
SD-AJ42R-XXXX-XX	36 Square - 42 Inch Rectangle	1	42"	36"W x 36"D
SD-AJ29F-XXXX-XX	36 Square - 29 Inch Round	1	29"	36"W x 36"D
SD-AJ36F-XXXX-XX	36 Square - 36 Inch Round	1	36"	36"W x 36"D
SD-AJ42F-XXXX-XX	36 Square - 42 Inch Round	1	42"	36"W x 36"D
SD-AM29R-XXXX-XX	48 Round - 29 Inch Rectangle	4	29"	48"W x 48"D
SD-AM36R-XXXX-XX	48 Round - 36 Inch Rectangle	4	36"	48"W x 48"D
SD-AM42R-XXXX-XX	48 Round - 42 Inch Rectangle	4	42"	48"W x 48"D
SD-AM29F-XXXX-XX	48 Round - 29 Inch Round	4	29"	48"W x 48"D
SD-AM36F-XXXX-XX	48 Round - 36 Inch Round	4	36"	48"W x 48"D
SD-AM42F-XXXX-XX	48 Round - 42 Inch Round	4	42"	48"W x 48"D
SD-AN29R-XXXX-XX	48 Square - 29 Inch Rectangle	4	29"	48"W x 48"D
SD-AN36R-XXXX-XX	48 Square - 36 Inch Rectangle	4	36"	48"W x 48"D
SD-AN42R-XXXX-XX	48 Square - 42 Inch Rectangle	4	42"	48"W x 48"D
SD-AN29F-XXXX-XX	48 Square - 29 Inch Round	4	29"	48"W x 48"D
SD-AN36F-XXXX-XX	48 Square - 36 Inch Round	4	36"	48"W x 48"D
SD-AN42F-XXXX-XX	48 Square - 42 Inch Round	4	42"	48"W x 48"D
SD-AP29R-XXXX-XX	60 Round - 29 Inch Rectangle	4	29"	60"W x 60"D
SD-AP36R-XXXX-XX	60 Round - 36 Inch Rectangle	4	36"	60"W x 60"D
SD-AP42R-XXXX-XX	60 Round - 42 Inch Rectangle	4	42"	60"W x 60"D
SD-AP29F-XXXX-XX	60 Round - 29 Inch Round	4	29"	60"W x 60"D
SD-AP36F-XXXX-XX	60 Round - 36 Inch Round	4	36"	60"W x 60"D
SD-AP42F-XXXX-XX	60 Round - 42 Inch Round	4	42"	60"W x 60"D
SD-AQ29R-XXXX-XX	Amoeba - 29 Inch Rectangle	3	29"	50"W x 50"D
SD-AQ29F-XXXX-XX	Amoeba - 29 Inch Round	3	29"	50"W x 50"D
SD-AR29R-XXXX-XX	Chevron - 29 Inch Rectangle	1	29"	30"W x 26"D
SD-AR29F-XXXX-XX	Chevron - 29 Inch Round	1	29"	30"W x 26"D
SD-AS29R-XXXX-XX	Creator Half Round - 29 Inch Rectangle	2	29"	57"W x 29.5"D
SD-AS29F-XXXX-XX	Creator Half Round - 29 Inch Round	2	29"	57"W x 29.5"D
SD-AT29R-XXXX-XX	Creator Rectangle - 29 Inch Rectangle	4	29"	59.5"W x 30.8"D
SD-AT36R-XXXX-XX	Creator Rectangle - 36 Inch Rectangle	4	36"	59.5"W x 31"
SD-AT42R-XXXX-XX	Creator Rectangle - 42 Inch Rectangle	4	42"	59.5"W x 31"
SD-AT29F-XXXX-XX	Creator Rectangle - 29 Inch Round	4	29"	59.5"W x 31"
SD-AT36F-XXXX-XX	Creator Rectangle - 36 Inch Round	4	36"	59.5"W x 31"
SD-AT42F-XXXX-XX	Creator Rectangle - 42 Inch Round	4	42"	59.5"W x 31"
SD-AU29R-XXXX-XX	Creator Square - 29 Inch Rectangle	1	29"	30"W x 30"D
SD-AU36R-XXXX-XX	Creator Square - 36 Inch Rectangle	1	36"	30"W x 30"D
SD-AU42R-XXXX-XX	Creator Square - 42 Inch Rectangle	1	42"	30"W x 30"D
SD-AU29F-XXXX-XX	Creator Square - 29 Inch Round	1	29"	30"W x 30"D
SD-AU36F-XXXX-XX	Creator Square - 36 Inch Round	1	36"	30"W x 30"D
SD-AU42F-XXXX-XX	Creator Square - 42 Inch Round	1	42"	30"W x 30"D
SD-AV29R-XXXX-XX	Creator Trap - 29 Inch Rectangle	2	29"	58"W x 25.5"D
SD-AV29F-XXXX-XX	Creator Trap - 29 Inch Round	2	29"	58"W x 25.5"D
SD-AW29R-XXXX-XX	Creator Triangle - 29 Inch Rectangle	3	29"	48.5"W x 48.5"D
SD-AW29F-XXXX-XX	Creator Triangle - 29 Inch Round	3	29"	48.5"W x 48.5"D
SD-AX29R-XXXX-XX	Cognitive - 29 Inch Rectangle	3	29"	64.5"W x 56.5"D
SD-AX29F-XXXX-XX	Cognitive - 29 Inch Round	3	29"	64.5"W x 56.5"D
SD-AY29R-XXXX-XX	Quad - 29 Inch Rectangle	4	29"	47.5"W x 35.75"D
SD-AY36R-XXXX-XX	Quad - 36 Inch Rectangle	4	36"	47.5"W x 35.75"D



**MOORECO**<sup>TM</sup>

**MOORECO INC.**

2885 Lorraine Avenue | Temple, TX 76501

p: 800.749.2258 | f: 866.888.7483

[www.moorecoinc.com](http://www.moorecoinc.com)