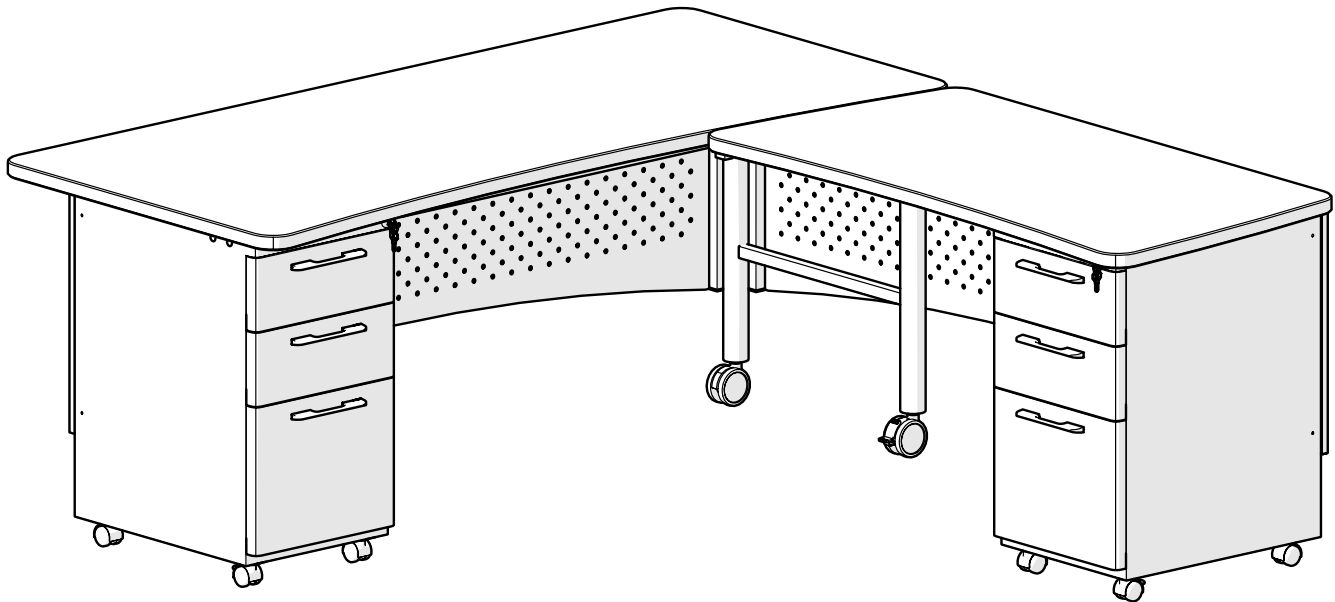


Avid Modular Desk System - Return Desk

Part Number: 91782-XXXX-XX



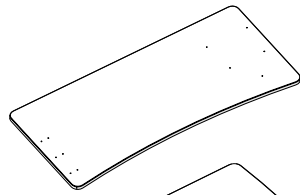
 **ASSEMBLY INSTRUCTIONS** 
DO NOT THROW AWAY!

INSTRUCCIONES DE ENSEMBLAJE
NO LA TIRE

INSTRUCTIONS DE MONTAGE
NE PAS JETER

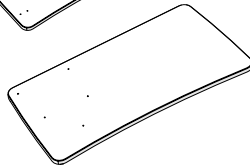
Parts

P1 - Large Top



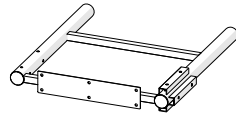
x1

P2 - Small Top



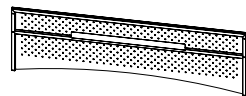
x1

P3 - Leg Set



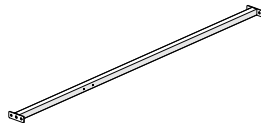
x1

P4 - Modesty Panel



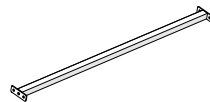
x2

P5 - Long Crossbar



x1

P6 - Short Crossbar



x1

P7 - Pedestal Box



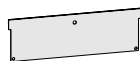
x2

P7A - Handle



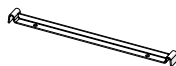
x6

P7B - Divider Panel



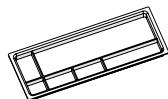
x2

P7C - Divider Bar



x2

P7D - Pencil Tray



x2

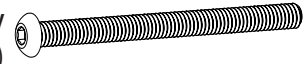
P7E - Key Set



x2

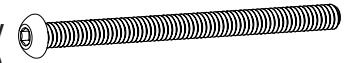
Hardware

A - Leg Panel Screw
(1/4-20 x 75mm)



x2

B - Leg Panel Screw
(1/4-20 x 95mm)



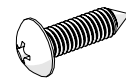
x2

C - Ped. Panel Screw
(M6 x 12mm)



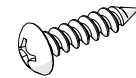
x12

D - Ped. Wood Screw
(#12 x 1")



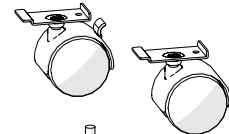
x10

E - Leg Wood Screw
(#10 x 1")



x16

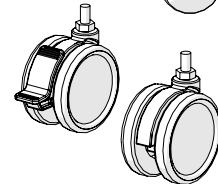
F - Pedestal Casters
F1 - Locking
F2 - Non-Locking



x4

x4

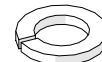
G - Leg Casters
G1 - Locking
G2 - Non-Locking



x1

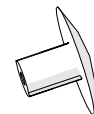
x1

H - Lock Washer



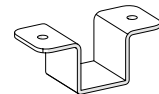
x2

I - Plastic Side Cap



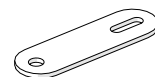
x16

J - U-Clamp



x4

K - Ganger



x1

L - Ped. Caster Screw
(M4 x 12mm Tap)



x8

M - Plastic Back Cap
(NOT USED)



x12

Tool(s):

-Allen Wrench

-Caster Wrench



WARNINGS AND DISCLAIMERS

Review full assembly instructions and check that all parts are present before beginning assembly. Heavy or large furniture may require multiple persons in order to properly assemble. If you have questions regarding assembly, contact the manufacturer before continuing. Damage due to incorrect assembly may not be covered by warranty. Do not use product unless all screws are tight. Check all screws for tightness at least every six months. If parts are broken, missing, damaged, or worn, stop use of the product until repairs are made by your dealer using factory authorized parts.

ADVERTENCIAS Y RENUNCIAS

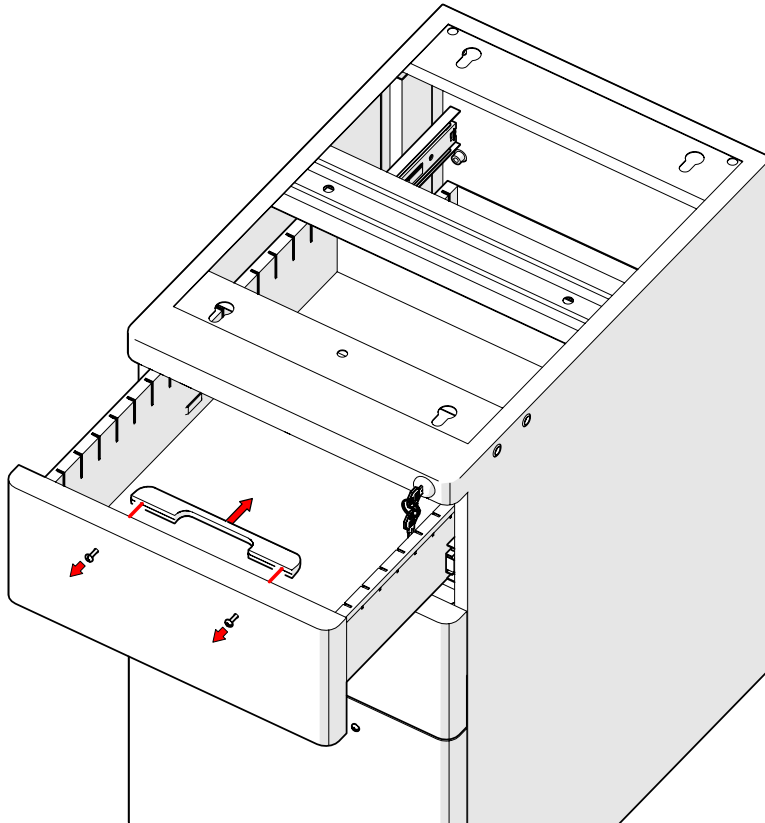
Previo a comenzar el proceso de ensamblaje favor de revisar las instrucciones y asegurarse que cuenta con todas las partes y materiales necesarios. Es posible que los muebles grandes o pesados, requieran mas de una persona para ensamblarlos correctamente. Por favor contacte al fabricante directamente si tiene alguna duda o pregunta antes de continuar con el proceso de armado del producto. La garantía no cubrirá daños que ocurrieron por errores cometidos durante el proceso de ensamblaje. Todos los tornillos deben estar ajustados previo el uso del producto. Debe revisar los tornillos periódicamente, por lo menos cada seis meses y asegurarse de que estén bien ajustados. Por favor detenga el uso del producto si partes del producto se pierden, rompen, se deterioran por uso o se rompen. Favor de contactar a su distribuidor para que le envíen las partes necesarias o realice las reparaciones necesarias con partes autorizadas por el fabricante.

AVERTISSEMENTS

Avant de commencer l' assamblage veuillez consulter les instructions complètes et vérifier si vous avez toutes les pièces nécessaires. Il est possible que plusieurs personnes soient nécessaires pour assemble des meubles grand ou lourds. En cas de doute sur l' assamblage contactez le fabricant avant de continuer. Les dommages encourus pendant l' assamblage ne seront pas couvert par la garantie. Ne pas utiliser le produit sans vérifier que tous les vis soient serrées. Vérifiez que les vis sont serrées au moins tous le 6 mois. Si aucune pièce se casse, manque, est endommagée ou usée, arrêtez d' utiliser de produit jusqu'à ce que le vendeur le repaire a l'aide de pièces autorisées par la fabricant.

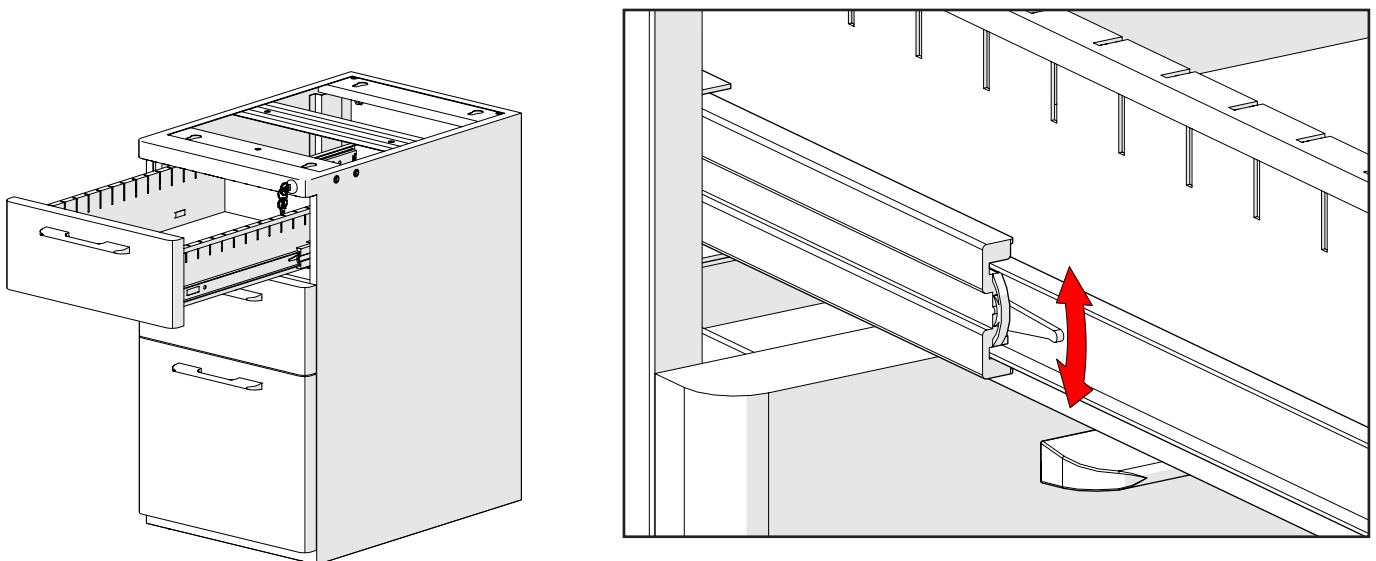
STEP 1

Open shelves and remove handle screws. Swap handles to front of shelves and insert handle screws from inside of shelves to secure handles in place.



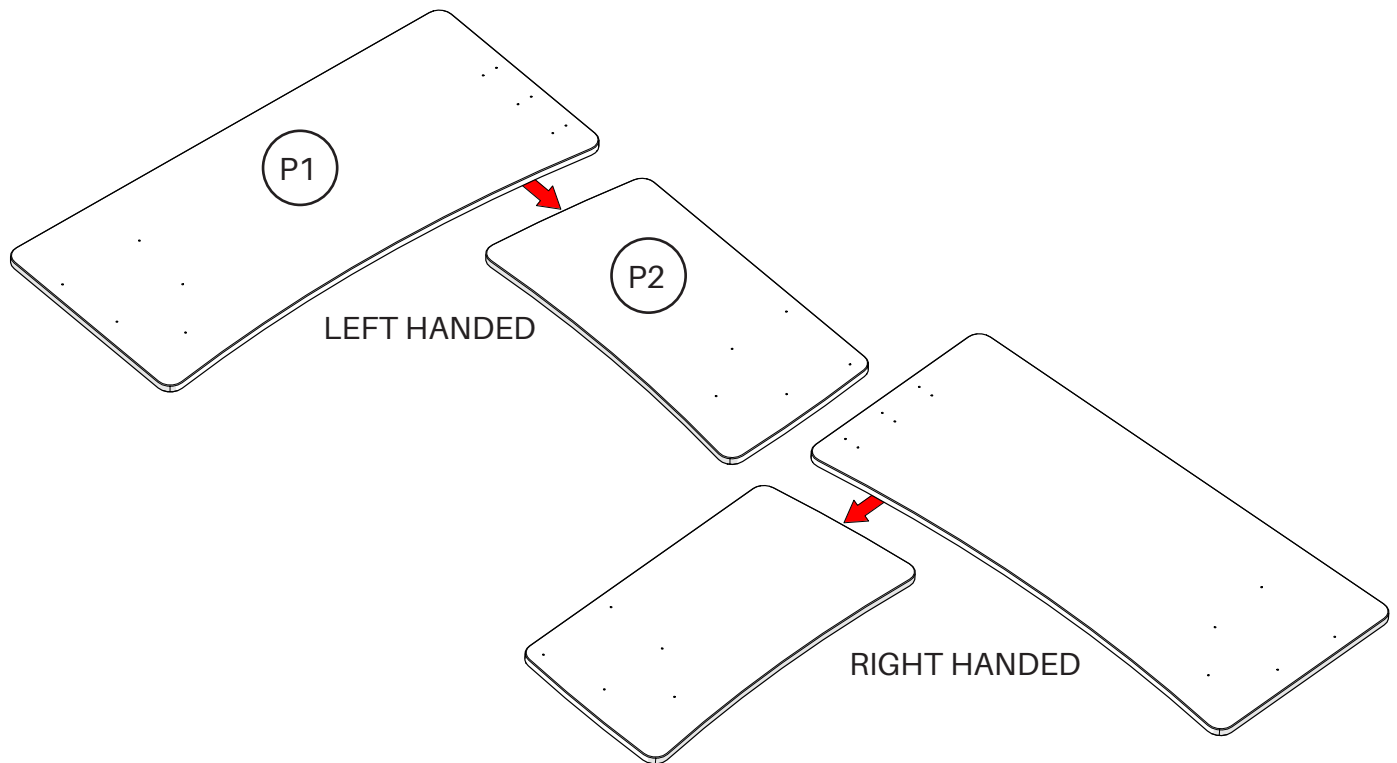
STEP 2

Remove shelves by first extending shelf to furthest setting until catch engages. To slide shelf off of rails, rotate visible catch levers on both sides of shelf either up or down while gently pulling shelf. Once both sides are free, shelf can be removed.



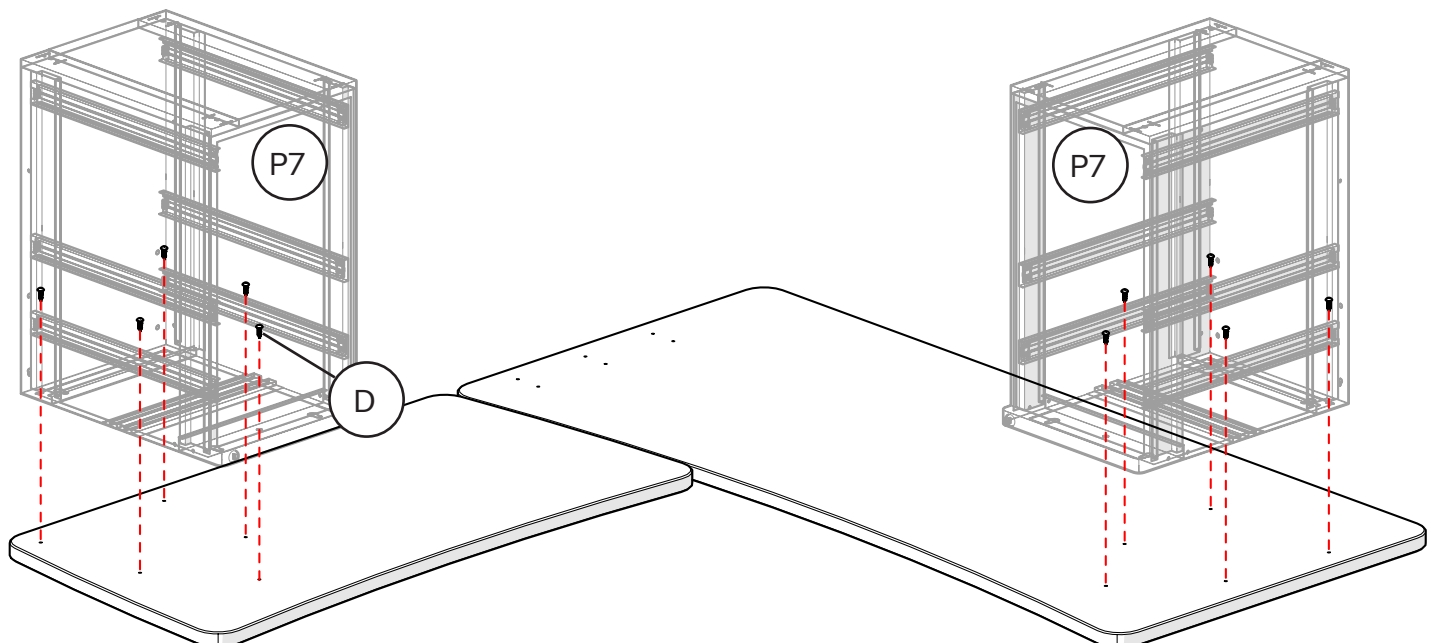
STEP 3

Place tops on a flat protective surface with pre-drilled holes face-up. Arrange tops in positions shown for left or right handed desk installation.



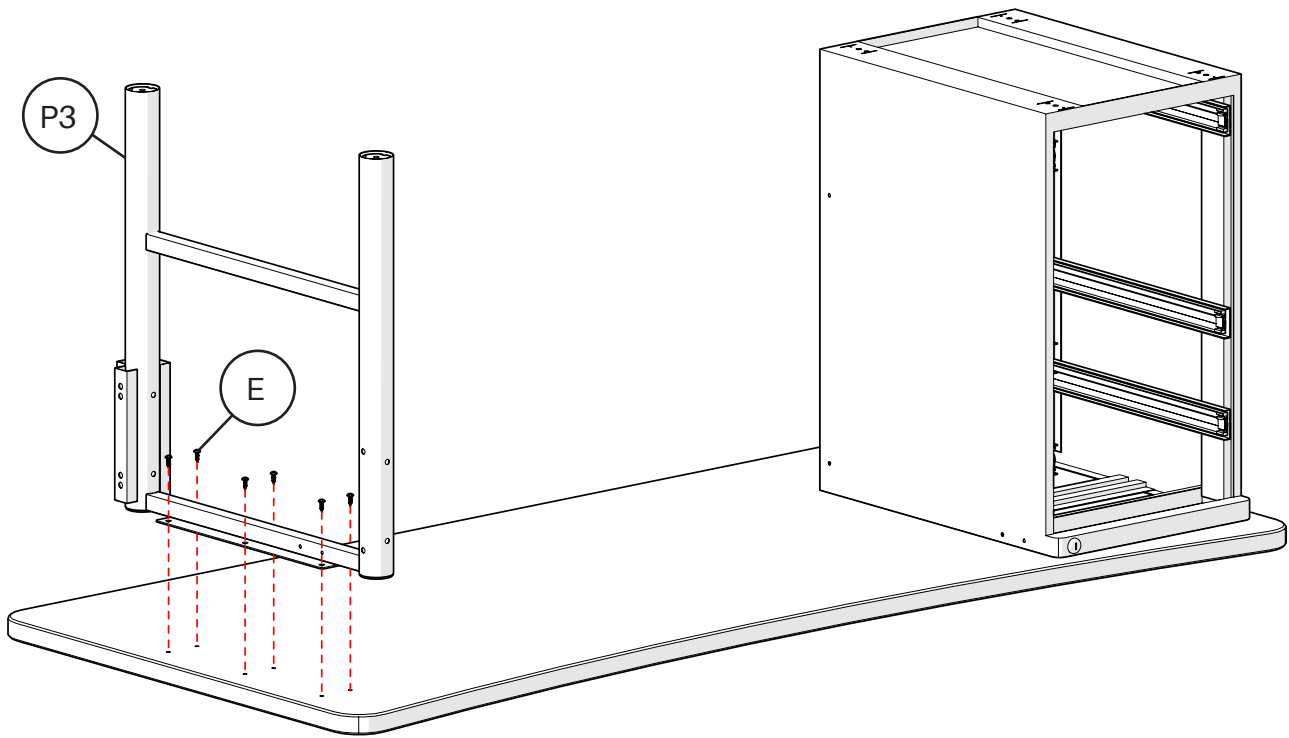
STEP 4

Set pedestals (with shelves removed) upside down on tops. Secure to tops with wood screws inserted through holes in pedestal top brackets. (Right handed desk depicted, placement will be reversed for left handed desks).



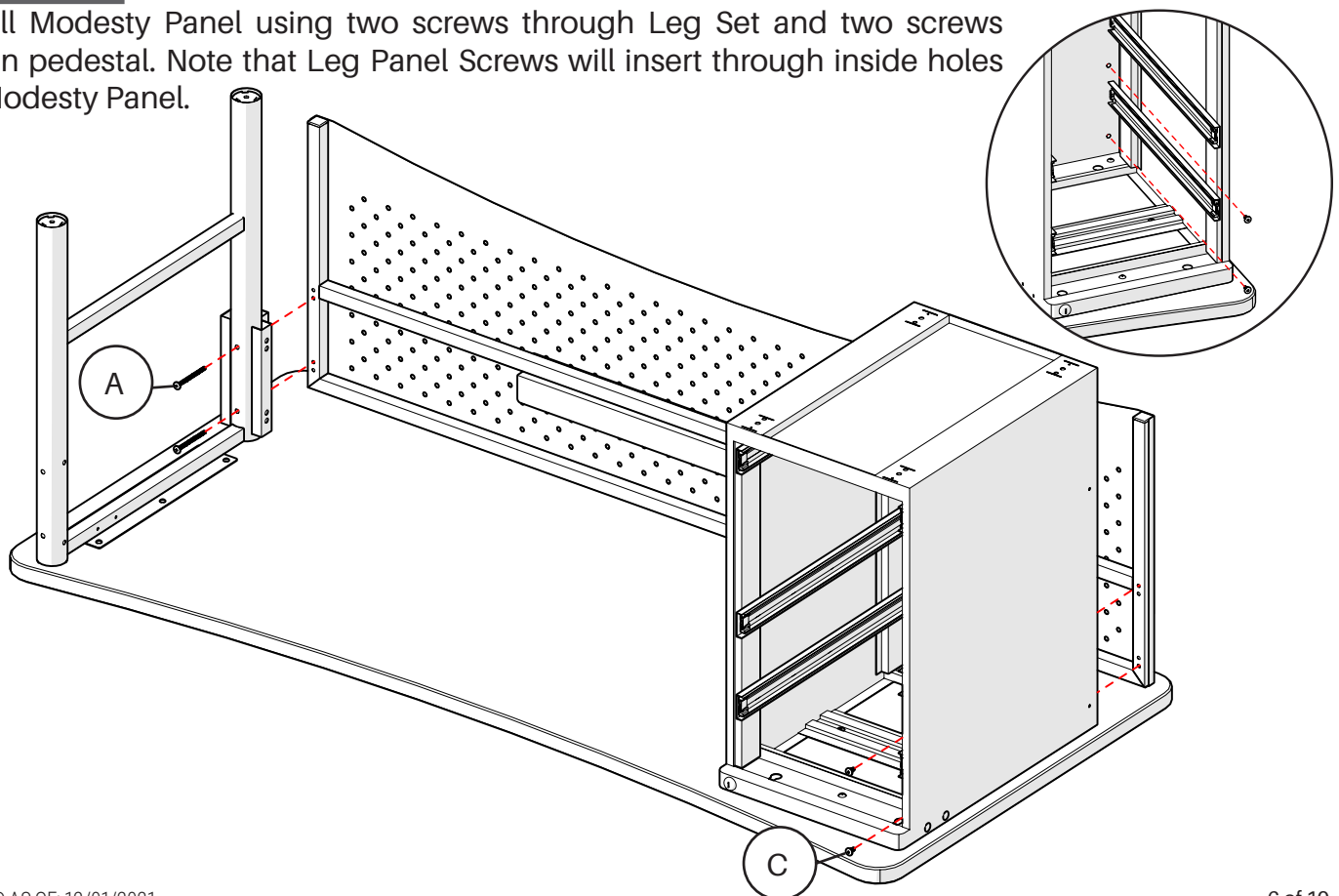
STEP 5

Screw in Leg Set to Large Top. Make sure Leg Set is oriented as shown before screwing.



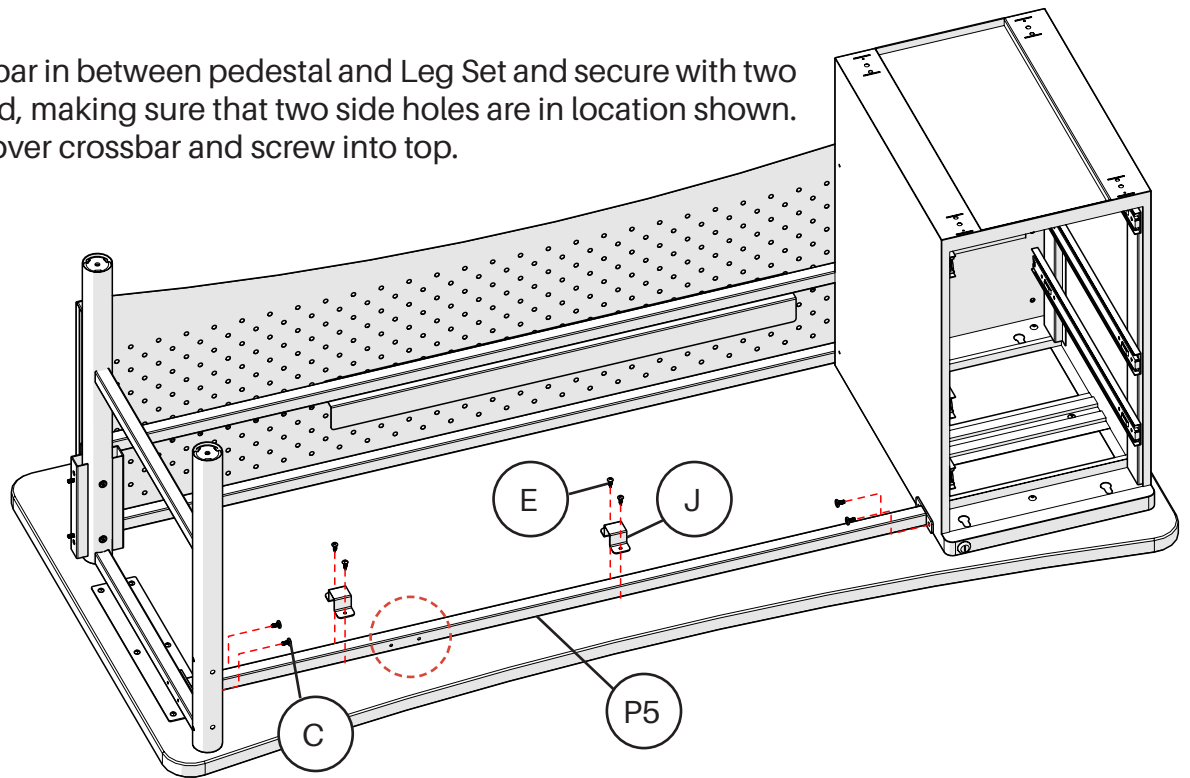
STEP 6

Install Modesty Panel using two screws through Leg Set and two screws within pedestal. Note that Leg Panel Screws will insert through inside holes on Modesty Panel.



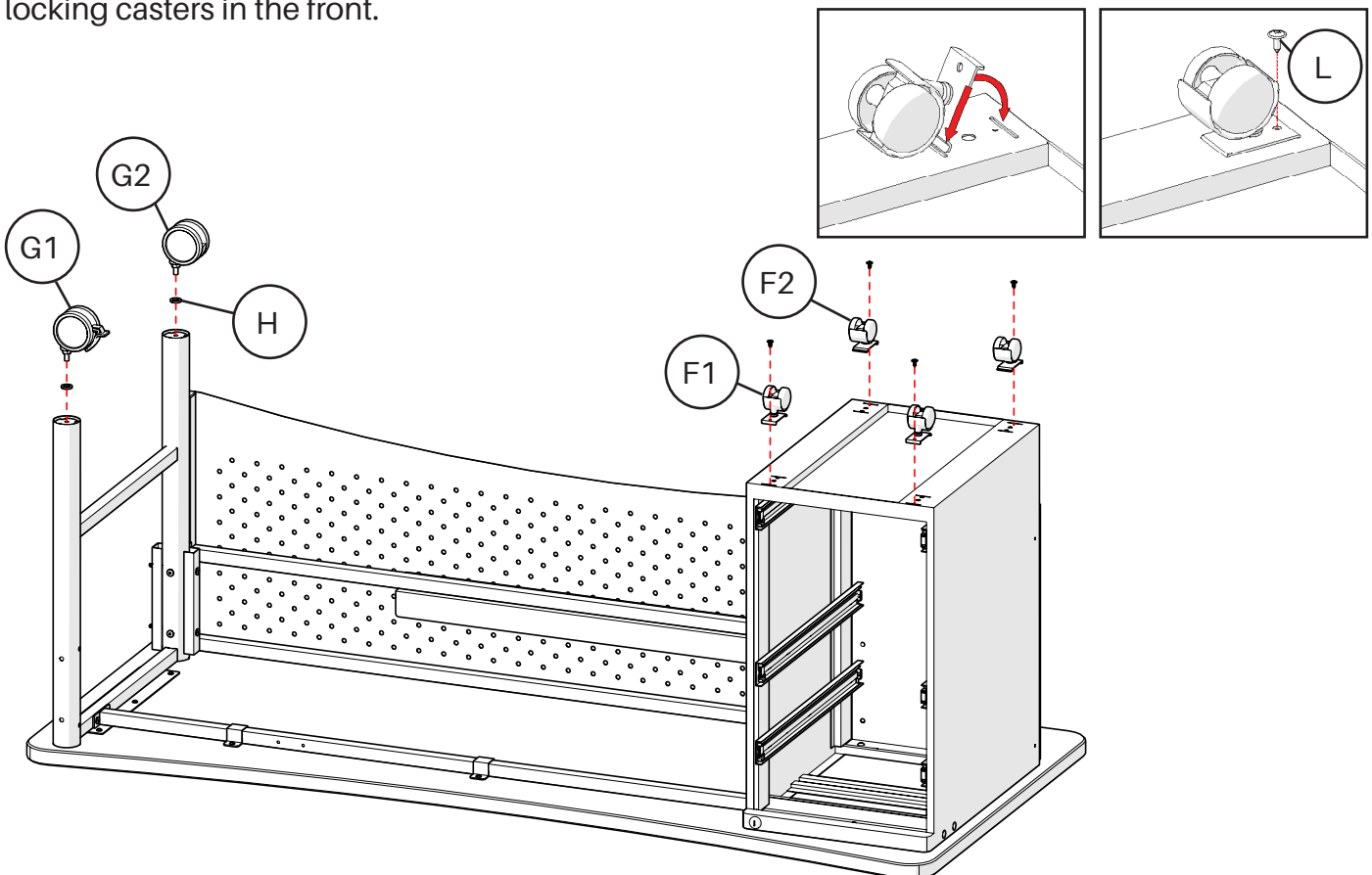
STEP 7

Place Long Crossbar in between pedestal and Leg Set and secure with two screws at each end, making sure that two side holes are in location shown. Fit two U-clamps over crossbar and screw into top.



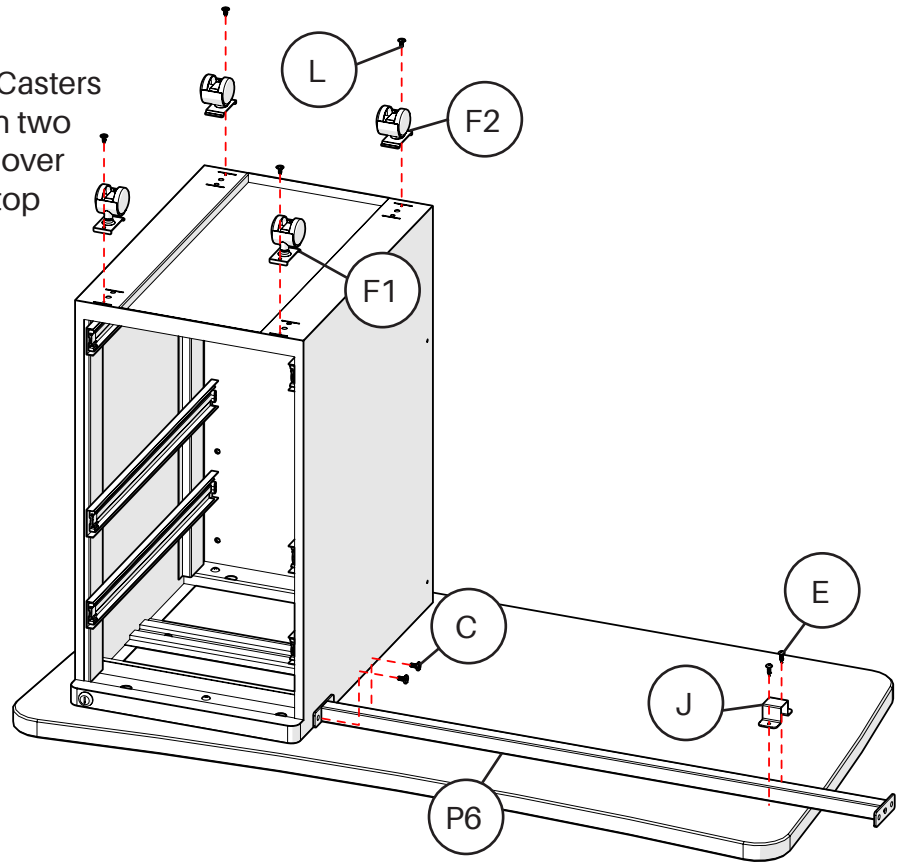
STEP 8

Insert casters for Leg Set and pedestal. Be sure to use Lock Washers on Leg Casters and Pedestal Caster Screws for Pedestal Casters. For both sets make sure to install locking casters in the front.



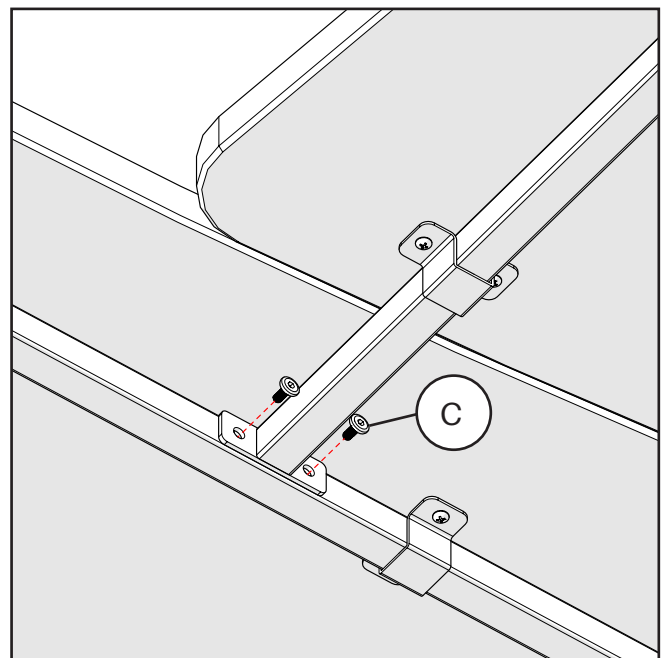
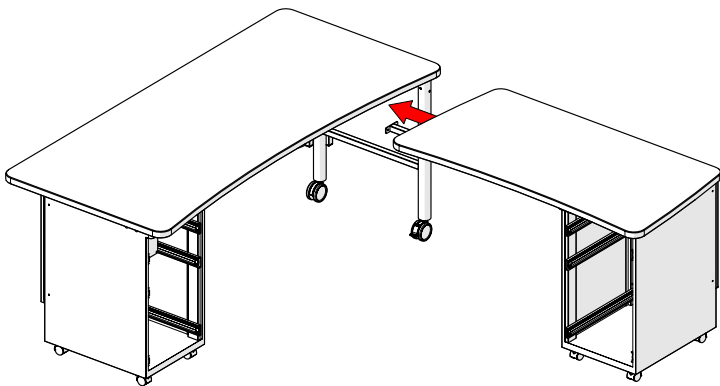
STEP 9

Working with Small Top, add Pedestal Casters with screws. Attach Short Crossbar with two screws into pedestal. Set one U-Clamp over crossbar close to edge and screw into top with wood screws.



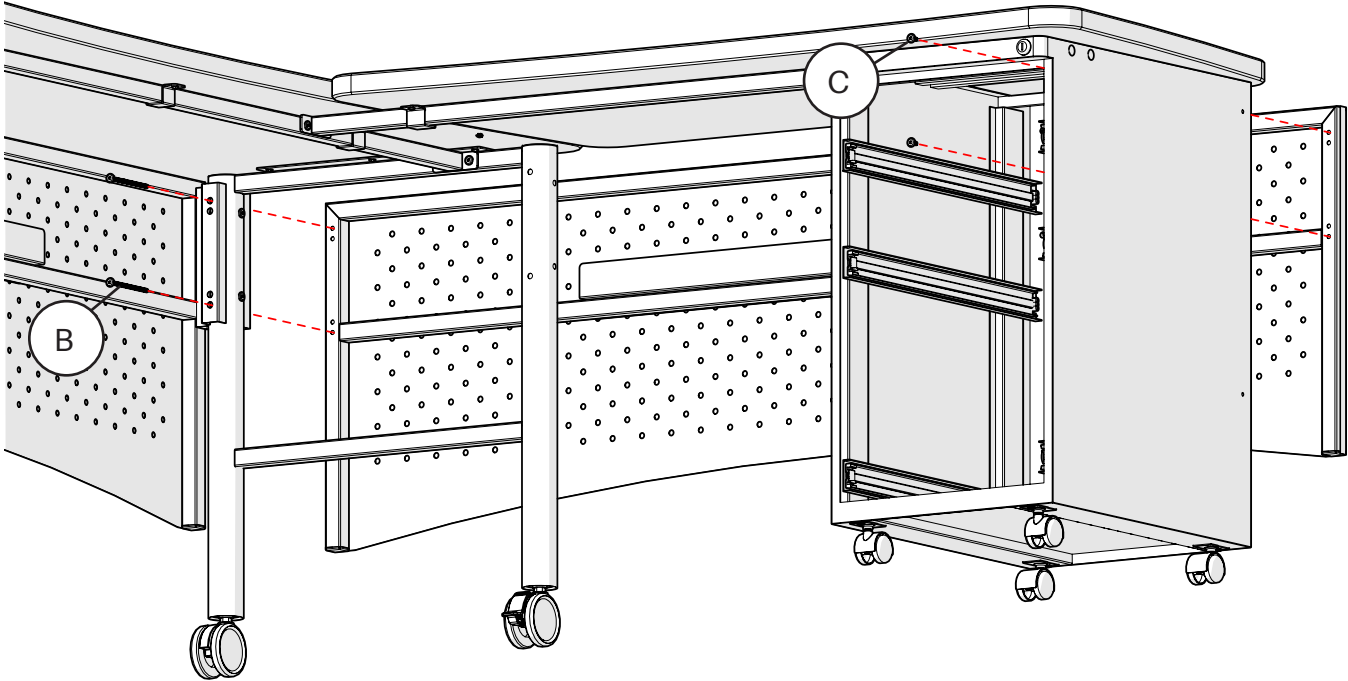
STEP 10

With two people, flip large top assembly upright. Next set return on its casters and push top together with large top as shown. Link together by adding two screws through end of Short Crossbar and screwing into side of Long Crossbar.



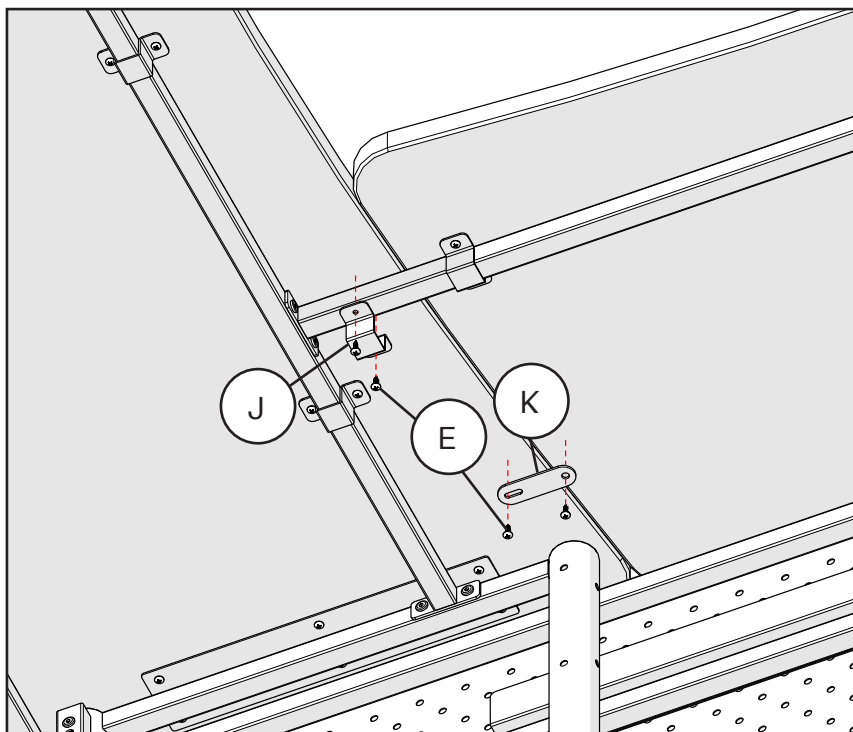
STEP 11

Install second Modesty Panel by inserting screws through Leg Set and pedestal. Note that Leg Panel Screws will have to be inserted in outside holes as shown.



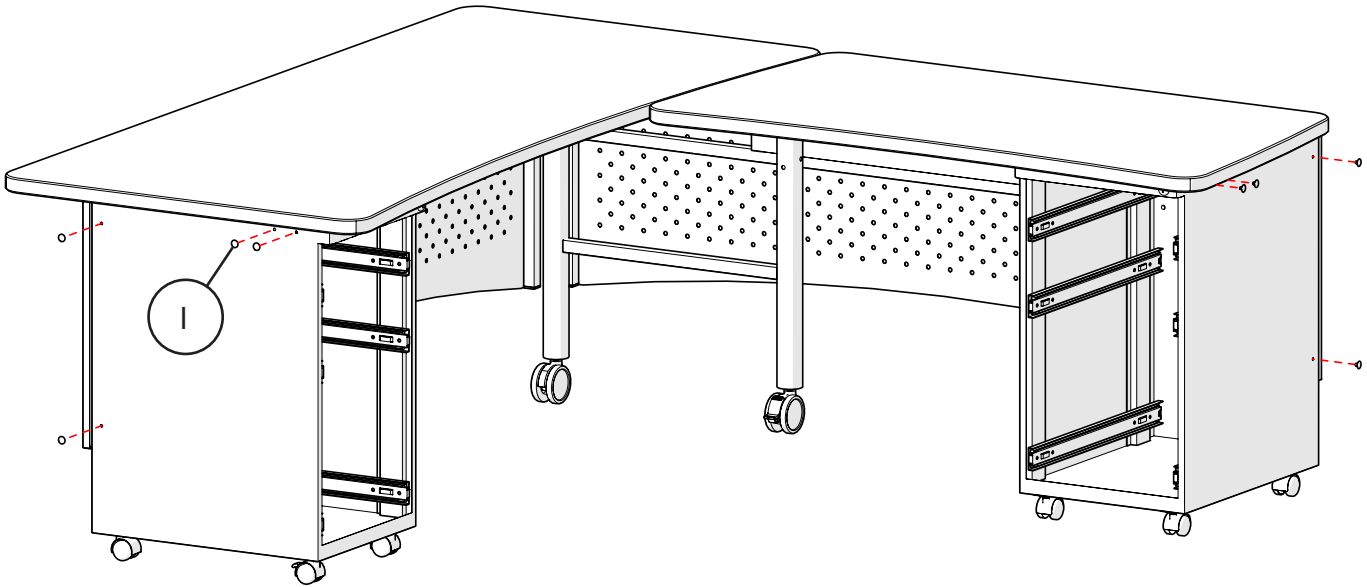
STEP 12

From underneath the desk add one U-clip to Short Crossbar and screw into Large Top. Add Ganger across top edges, close to Modesty Panel, and secure with wood screws.



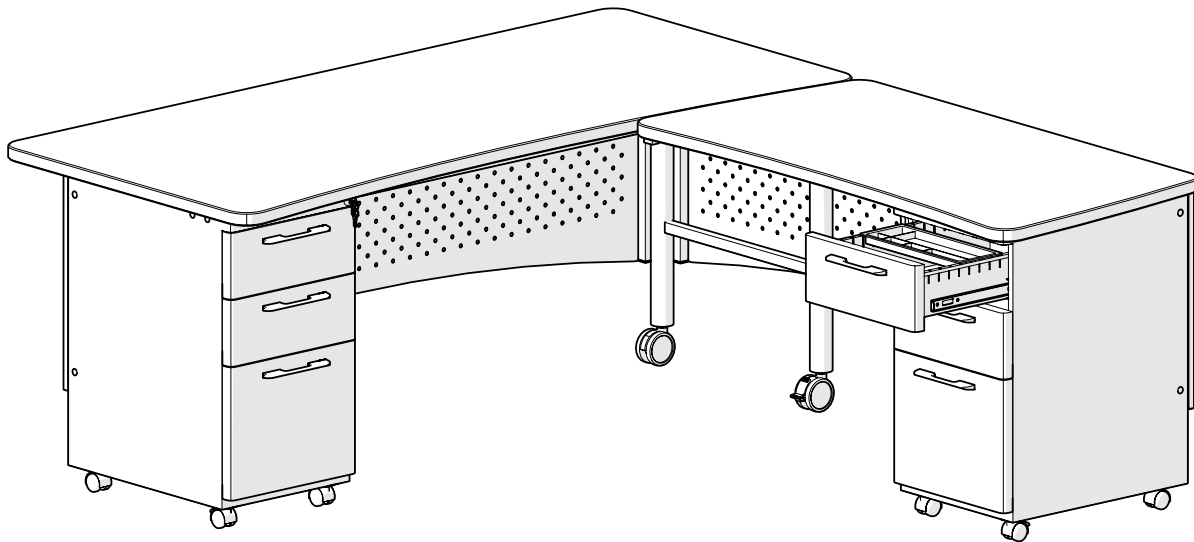
STEP 13

Push Plastic Caps into inserts on either side of pedestal.



STEP 12

Insert shelves back into pedestal boxes and place accessories as desired within shelves.



THIS COMPLETES ASSEMBLY INSTRUCTION