

iTeach Flat Panel Wall Mount

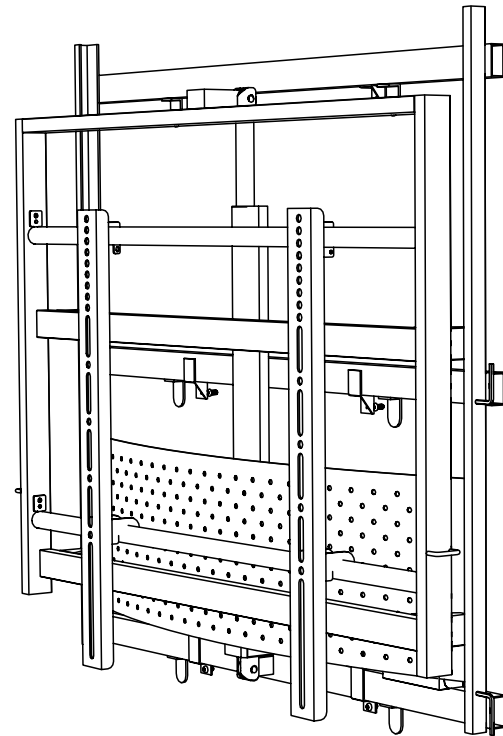
Part Numbers: 37745

DISPLAY MOUNT:

The display mount and brackets are made up of 12 gauge steel and the motor cover is made of 18 gauge steel. All steel has a clean black powder coat finish. The durable flat panel brackets will support 800 x 600 VESA mounts and up to 250 lbs if mounted per instruction. The flat panel mount dimensions are 36" - 46" height by 37.5" width by 8" depth. There are three (3) 1.5" horizontal wall mount tubes that are mounted with six (6) top mount brackets and lag screws. The bottom has two (2) "U" mount brackets with an optional third bracket for added support.

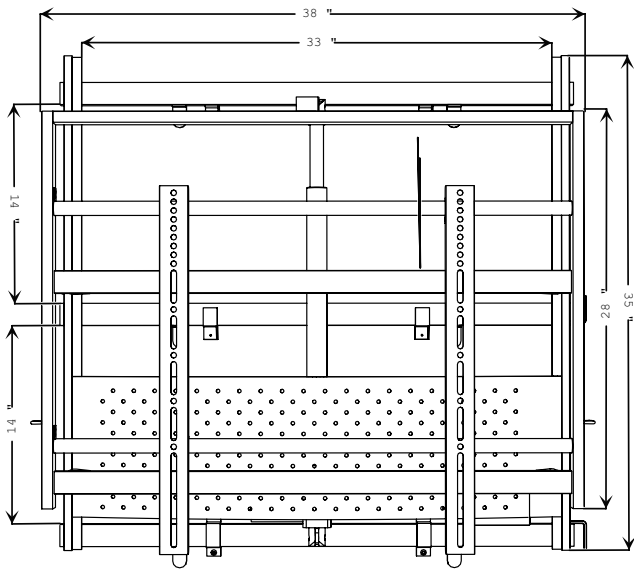
HEIGHT ADJUSTMENT:

The electric motor allows for 18" of height adjustment for the display mount. The TV vertical mount brackets are adjustable to adjust the display when mounting.

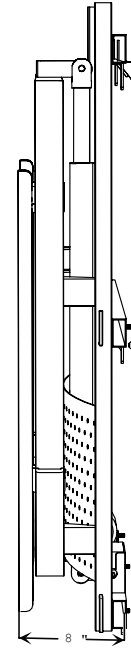
**COMPLIANCE:**

SCS Indoor Advantage Gold certified.

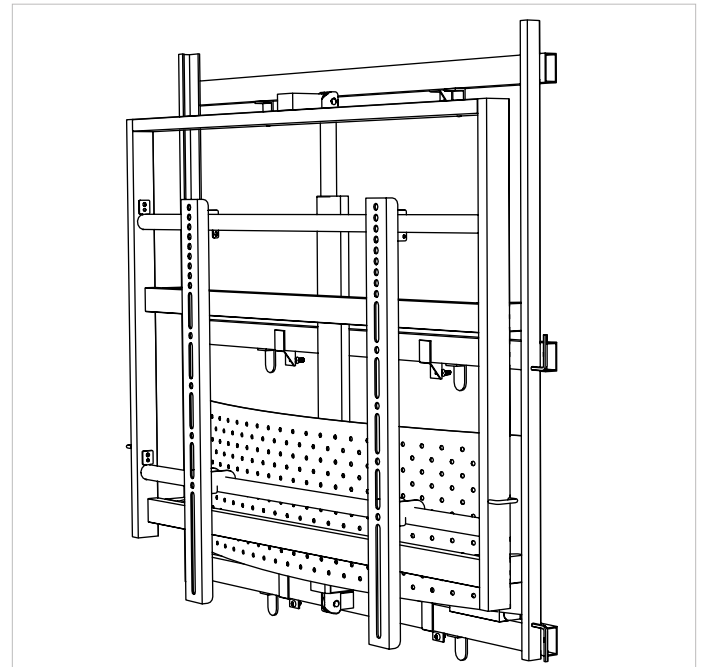
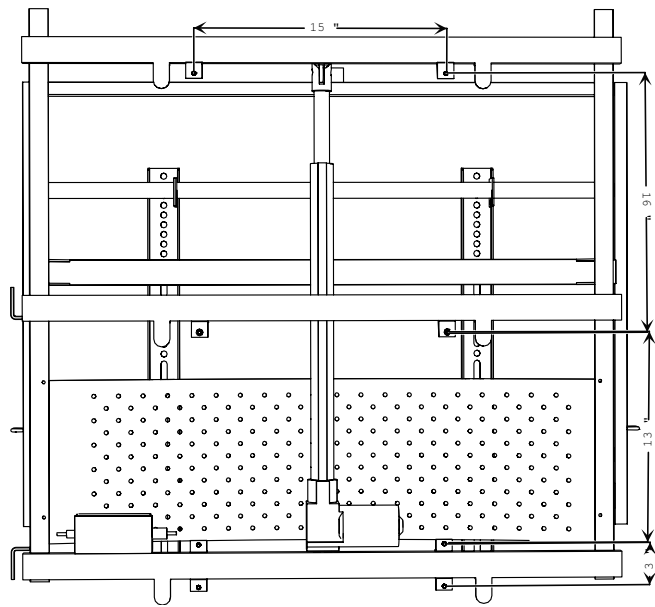
FRONT VIEW



SIDE VIEW



BACK VIEW



DIMENSIONS:

Base Model No.	Item	Dimensions "	SHIP WT.
37745	iTeach Flat Panel Wall Mount	36" - 46"H x 37.5"W x 8"D	55 lbs



MOORECO™

MOORECO INC.
 2885 Lorraine Avenue | Temple, TX 76501
 p: 800.749.2258 | f: 866.888.7483
www.moorecoinc.com