

## Platinum Mobile Reversible Boards

Model No: 699RX-XX

### OVERVIEW

Get up to twice the functional space of a wall-mounted board with a versatile Platinum Mobile Reversible Board.

### SURFACES

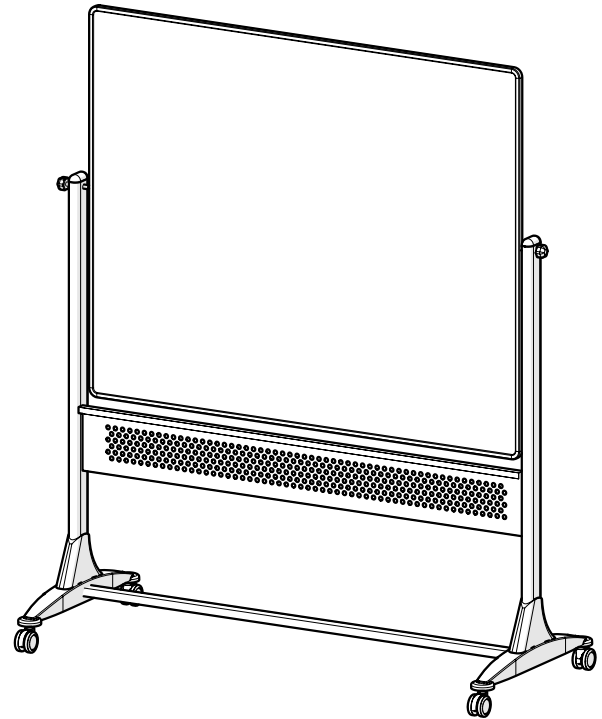
Surfaces available for mobile reversible boards are tackable natural cork, Dura-Rite HPL dry-erase markerboard, and porcelain steel magnetic dry erase markerboard. The double sided porcelain steel option utilizes 28 Ga porcelain steel markerboard on both sides of a 7/16" MDF panel. Double sided Dura-Rite HPL option utilizes 0.04" thick Dura-Rite HPL on both sides of a 7/16" Hexacomb panel. Double-sided natural cork option uses two 1/16" natural cork panels on either side of 3/8" fiberboard. With a Dura-Rite or porcelain steel surface on one side and natural cork on the other, a four layer board is used, made up of 1/4" natural cork, 28 Ga galvanized steel, 1/4" MDF, and either 28 Ga porcelain steel or 0.04" thick Dura-Rite HPL. Surface trim is .8" x .65" and is .060" thick. On each side of the surface a plastic piece is attached using a threaded post and an M6 x 12mm screw. The piece is screwed with two M6 x 12mm screws to a 3mm formed steel plate welded to an M8-1.25 x 60mm thread which attaches through the upright into a plastic threaded knob.

### UPRIGHTS

Upright is a 51 5/8" long, 40mm x 80mm, oval, 16 Ga, steel tube. welded to a 100mm by 50mm 14 Ga steel bracket. The bracket is welded to the 2.25" x 25" foot. And has welded threaded plates in each side of the foot for casters. The upright has a 11 Ga steel plate welded to the top with a through hole for the surface to attach. A plastic slip is attached to cover the joint between the upright and the foot.

### TRAY AND CROSSBAR

Tray is 74 3/8" long, 2" deep, 18 Ga steel with an 8" high perforated panel attached to the uprights with two M6 x 12mm screws on each side. Crossbar is a 76" long, 80mm x 40mm, oval, 16 Ga steel tube attached to the welded brackets in the feet by two M8-1.25 x 40mm screws and lock washers on both sides.



### CASTERS

Casters are 3" single-wheeled locking casters attached with M8-1.25 x 15mm stems.

### OPTIONS / ACCESSORIES:

Available in a variety of surface types.

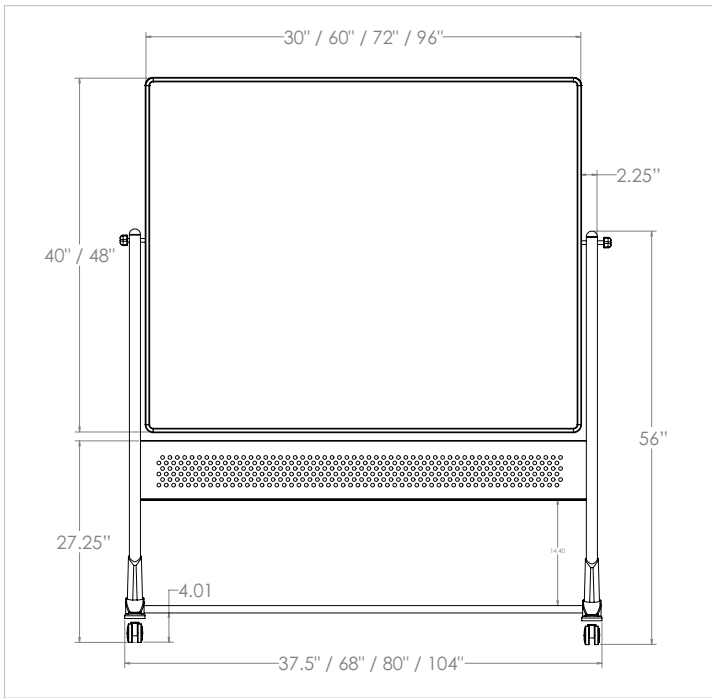
### COMPLIANCE:

Greenguard Gold Certified for low chemical emissions.

### FRAME COLOR



Platinum



## DIMENSIONS:

Base Model No.	Surface Type	Surface Dimensions	Overall Dimensions
669RU-DC	Porcelain Steel / Natural Cork	40"H X 30"W	78.25"H X 37.5"W X 24"D
669RU-DD	Porcelain Steel / Porcelain Steel	40"H X 30"W	78.25"H X 37.5"W X 24"D
669RU-DF	Projection Gray / Porcelain Steel	40"H X 30"W	78.25"H X 37.5"W X 24"D
669RU-FC	Projection Gray / Natural Cork	40"H X 30"W	78.25"H X 37.5"W X 24"D
669RU-FF	Projection Gray / Projection Gray	40"H X 30"W	78.25"H X 37.5"W X 24"D
669RU-HC	Dura-Rite / Natural Cork	40"H X 30"W	78.25"H X 37.5"W X 24"D
669RU-HH	Dura-Rite / Dura-Rite	40"H X 30"W	78.25"H X 37.5"W X 24"D
669RF-DC	Porcelain Steel / Natural Cork	4"H X 5"W	79.5"H X 67.75"W X 24"D
669RF-DD	Porcelain Steel / Porcelain Steel	4"H X 5"W	79.5"H X 67.75"W X 24"D
669RF-DF	Projection Gray / Porcelain Steel	4"H X 5"W	79.5"H X 67.75"W X 24"D
669RF-FC	Projection Gray / Natural Cork	4"H X 5"W	79.5"H X 67.75"W X 24"D
669RF-FF	Projection Gray / Projection Gray	4"H X 5"W	79.5"H X 67.75"W X 24"D
669RF-HC	Dura-Rite / Natural Cork	4"H X 5"W	79.5"H X 67.75"W X 24"D
669RF-HH	Dura-Rite / Dura-Rite	4"H X 5"W	79.5"H X 67.75"W X 24"D
669RG-DC	Porcelain Steel / Natural Cork	4"H X 6"W	79.5"H X 79.75"W X 24"D
669RG-DD	Porcelain Steel / Porcelain Steel	4"H X 6"W	79.5"H X 79.75"W X 24"D
669RG-DF	Projection Gray / Porcelain Steel	4"H X 6"W	79.5"H X 79.75"W X 24"D
669RG-FC	Projection Gray / Natural Cork	4"H X 6"W	79.5"H X 79.75"W X 24"D
669RG-FF	Projection Gray / Projection Gray	4"H X 6"W	79.5"H X 79.75"W X 24"D
669RG-HC	Dura-Rite / Natural Cork	4"H X 6"W	79.5"H X 79.75"W X 24"D
669RG-HH	Dura-Rite / Dura-Rite	4"H X 6"W	79.5"H X 79.75"W X 24"D
669RH-DC	Porcelain Steel / Natural Cork	4"H X 8"W	79.5"H X 103.75"W X 24"D
669RH-DD	Porcelain Steel / Porcelain Steel	4"H X 8"W	79.5"H X 103.75"W X 24"D
669RH-DF	Projection Gray / Porcelain Steel	4"H X 8"W	79.5"H X 103.75"W X 24"D
669RH-FC	Projection Gray / Natural Cork	4"H X 8"W	79.5"H X 103.75"W X 24"D
669RH-FF	Projection Gray / Projection Gray	4"H X 8"W	79.5"H X 103.75"W X 24"D
669RH-HC	Dura-Rite / Natural Cork	4"H X 8"W	79.5"H X 103.75"W X 24"D
669RH-HH	Dura-Rite / Dura-Rite	4"H X 8"W	79.5"H X 103.75"W X 24"D



**MOORECO**<sup>™</sup>

MOORECO INC.  
 2885 Lorraine Avenue | Temple, TX 76501  
 p: 800.749.2258 | f: 866.888.7483  
[www.moorecoinc.com](http://www.moorecoinc.com)