

## Seed Rocker Chair

Part Numbers: SG.SD.R.16.6XX.7XX.PL, SG.SD.R.18.6XX.7XX.PL

### SHELL:

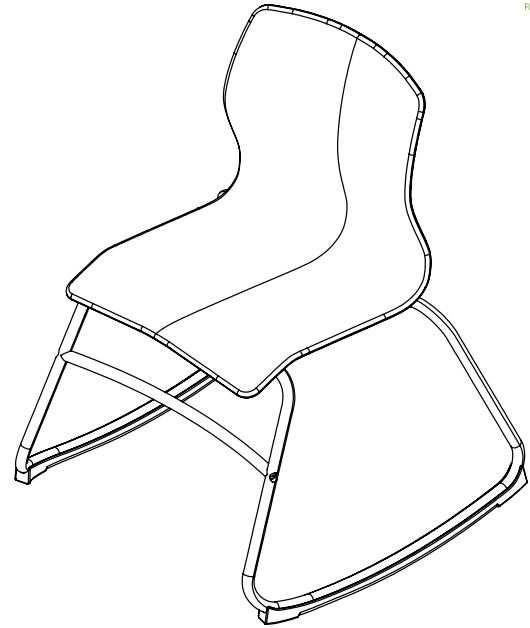
Seat is designed as a single-piece injection-molded shell of polypropylene with integrated attachment features including a structural front hook, rear snaps, and screw bosses.

### FRAME:

Rocker frame is constructed of a continuous piece of .75" 14-gauge hot rolled tubular steel and a .75" 14-gauge steel crossbar. The shell uses integrated snaps to attach to a welded 12 ga steel bracket with two built-in clips and is screwed in with two #10 x 1" plastite screws. Poly shell chairs are rated for use up to 250lbs. The frame rocks backwards by 10° and forward by 8°. Frame is available in three powder coat finish options.

### GLIDES:

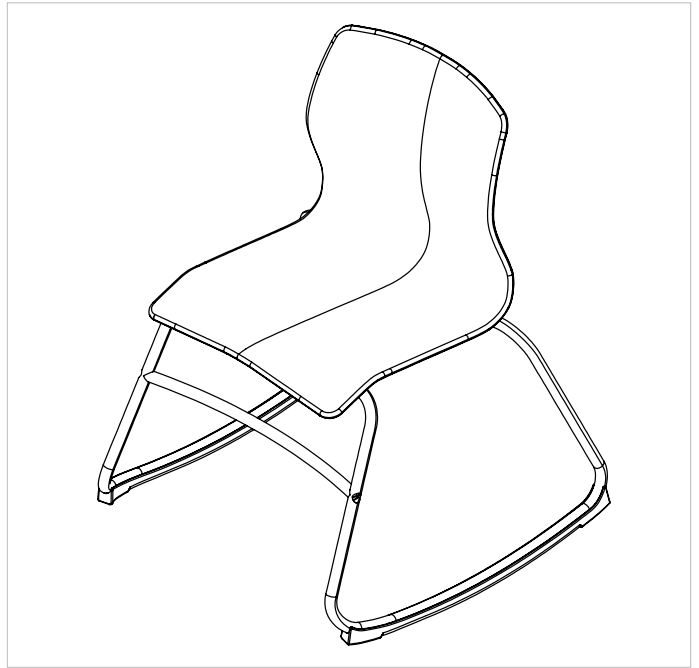
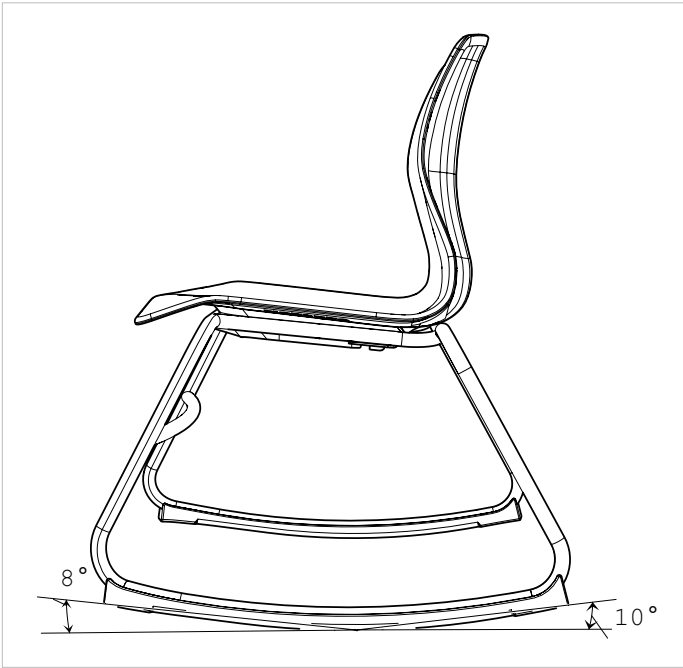
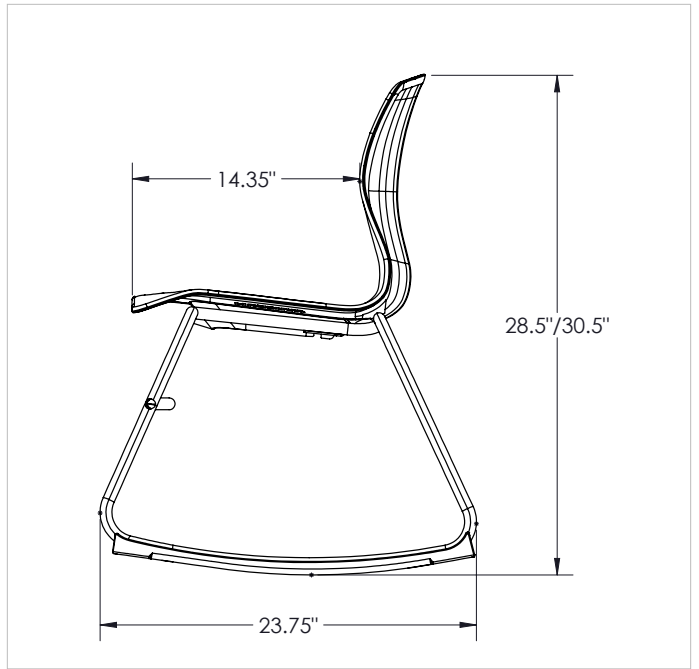
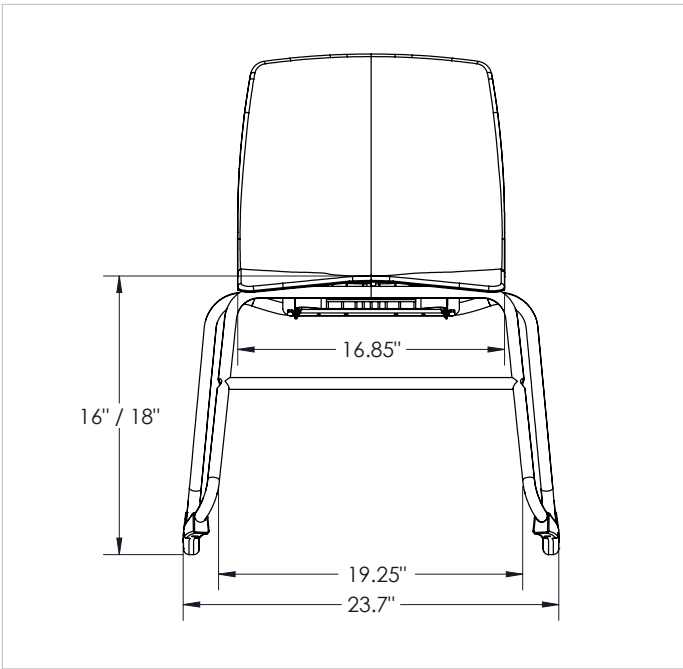
Glides along the bottom of the frame are nylon and attached to the steel tubing with two rivets each.



### COMPLIANCE:

SCS Indoor Advantage Gold certified.

Meets or exceeds BIFMA testing.



**DIMENSIONS:**

Base Model No.	Description	Width – Seat "	Depth – Overall "	Height – Overall "
SG.SD.R.16.6XX.7XX.XX	Seed - Rocker Frame - 16"	23.7"	23.75"	16.00"
SG.SD.R.18.6XX.7XX.XX	Seed - Rocker Frame - 18"	23.7"	23.75"	18.00"



**MOORECO**<sup>™</sup>

**MOORECO INC.**  
 2885 Lorraine Avenue | Temple, TX 76501  
 p: 800.749.2258 | f: 866.888.7483  
[www.moorecoinc.com](http://www.moorecoinc.com)