



# Product Specifications

## Hierarchy Compass Cabinets

### Grande

Model Number: D3XXXXXXXX

#### OVERVIEW

A customizable storage solution that integrates with accessories that promote an active learning environment.

#### SIDE PANEL SPECIFICATIONS

Side panels are 18 Ga powder coated steel reinforced with two 20 Ga 25mm square steel tubes. Side panels have option of three rows of 14 peg holes or fully perforated peg board panles for the mounting of accessories.

#### BODY SPECIFICATIONS

Top panel, rear panel, and bottom panel are all 18 Ga platinum powder coated steel. There are two 20 Ga hat sections welded to the top panel, running lengthwise. The bottom panel has one 20 Ga hat section centered front to back and running lengthwise and the rear panel has three 20 Ga hat sections running vertically. The bottom panel and hat sections in the top and rear panels have threaded holes to secure the 18 Ga steel upright assembly. The upright assembly is two C-channels connected by two steel plates at the top and bottom. The back C-channel and the two steel plates have slots to be attached to the main body with six M6 x 12mm screws total. Rear panel has four sets of peg holes for hangers and is also available with a porcelain steel markerboard adhesive skin applied to exterior.

#### GLIDE/CASTER SPECIFICATIONS

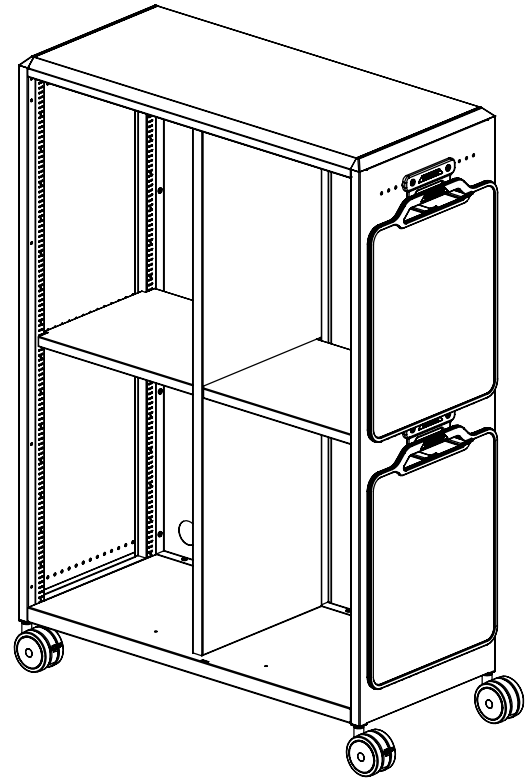
Four 100mm casters are constructed from a reinforced plastic body with non-marking gray polyurethane wheels. Two casters are locking. Casters and optional nylon glides have a 0.5" x 1" stem.

#### DOOR SPECIFICATIONS

Optional doors are 18 ga steel with a 20 Ga vertical hat channel. The right door has a locking mechanism that is secured in the top and bottom panels while locked and features a break-resistant key. The doors are fully hinged and can be opened 270° to be flat against the side of the cabinet.

#### SHELF/DIVIDER SPECIFICATIONS

Shelves are 18 Ga steel with a 20 Ga hat section running lengthwise along the bottom. The 1" thick shelves can be placed at any height. 18 Ga vertical divider is 1 1/4" thick with slot cut for shelf.



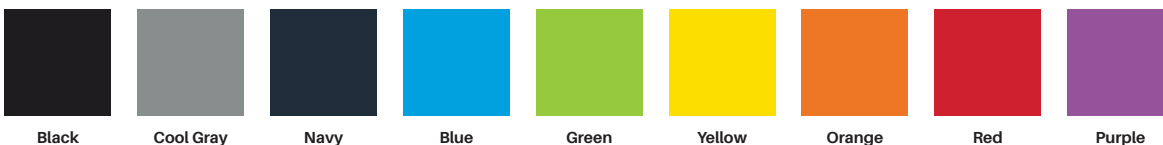
#### ENDCAP SPECIFICATIONS

Endcaps are cast aluminum. Standard endcaps are held in with four M6 x 12mm screws and create a flush edge around the cabinet top. Mounting castings are used with our top accessories and are held in with two M6 x 12mm screws. Optional handles are cast aluminum and raise 2.5" off the top of the cabinet. They are held to the body of the cabinet with four M6 x 12mm screws.

#### LAPBOARD HANGERS

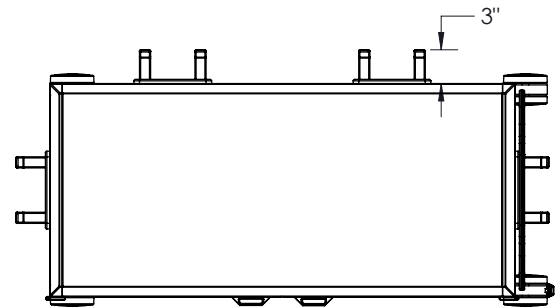
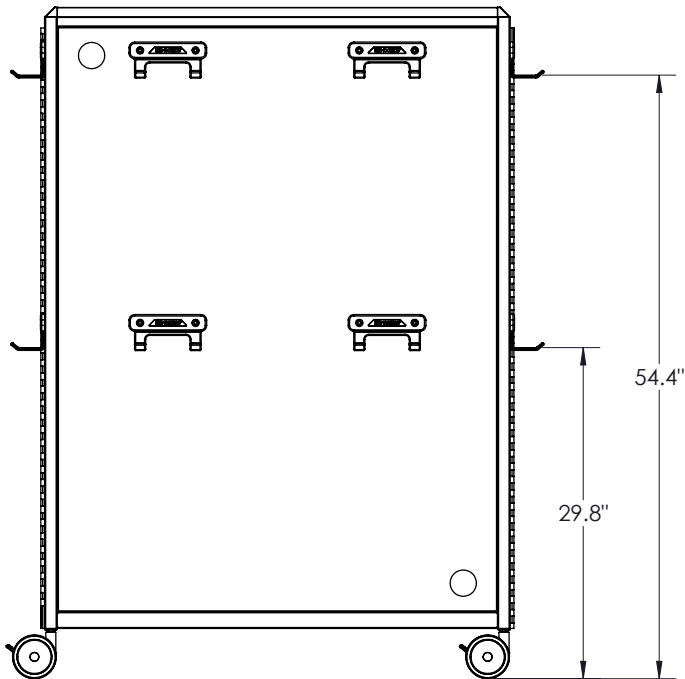
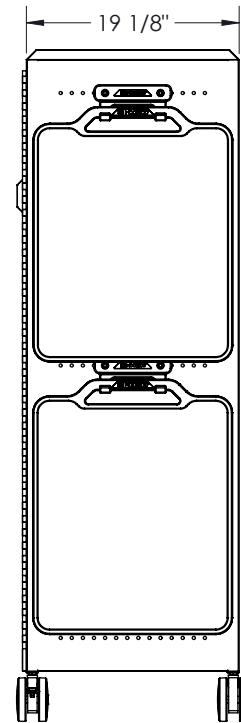
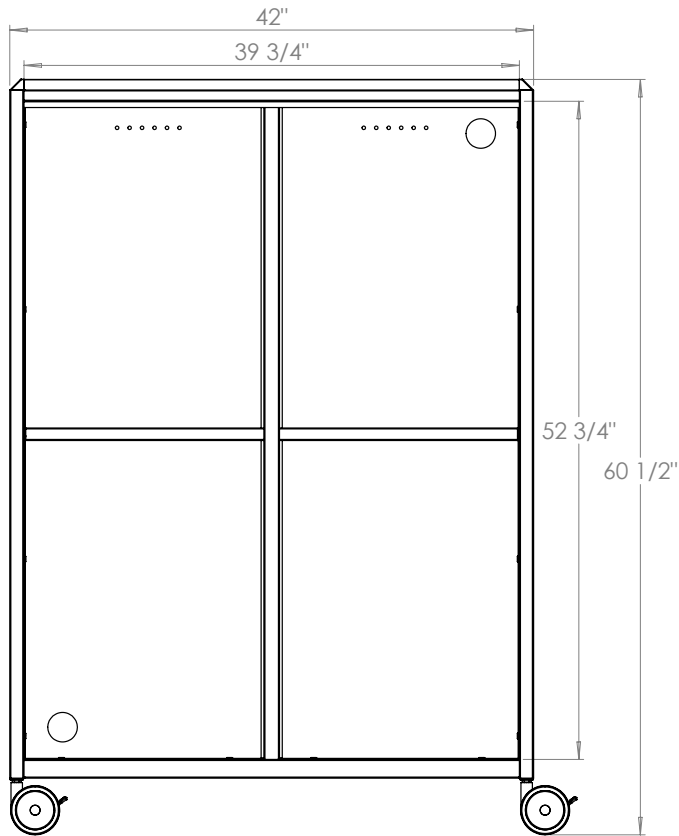
Eight hangers are included with each Grande cabinet. Hangers may be installed through cabinet peg holes (2 each side, 4 back) using M6 x 12mm screws and nuts provided. Lapboards sold separately.

#### SIDE COLOR



#### BODY COLOR





**OPTIONS**

- Available with porcelain steel markerboard back panel
- Available with perforated side panels (Only in Gray)
- Available with casters or glides.
- Available with side panels in all nine Hierarchy Colors
- Available with or without doors.
- Available with preset or custom filling options.

**DIMENSIONS**

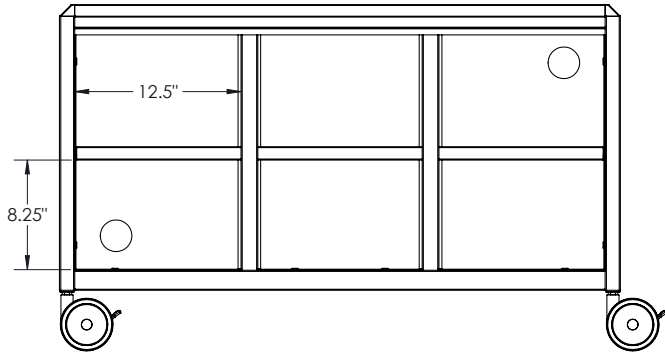
Part Number	Filling	Dimensions
D3XXXEXXX	Four Cubbies	41 7/8" W x 60 5/8" H x 19 1/8" D



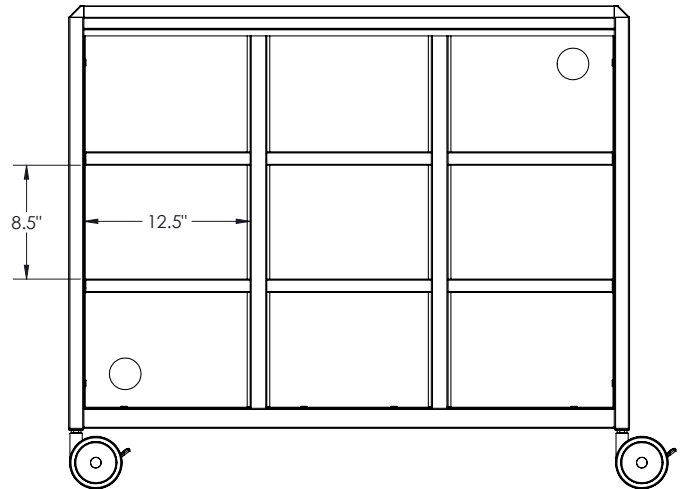
MOORECO INC.  
 2885 Lorraine Avenue | Temple, TX 76501  
 p: 800.749.2258 | f: 866.888.7483  
[www.moorecoinc.com](http://www.moorecoinc.com)

# Hierarchy Compass Cabinets

## Cubby Dimensions

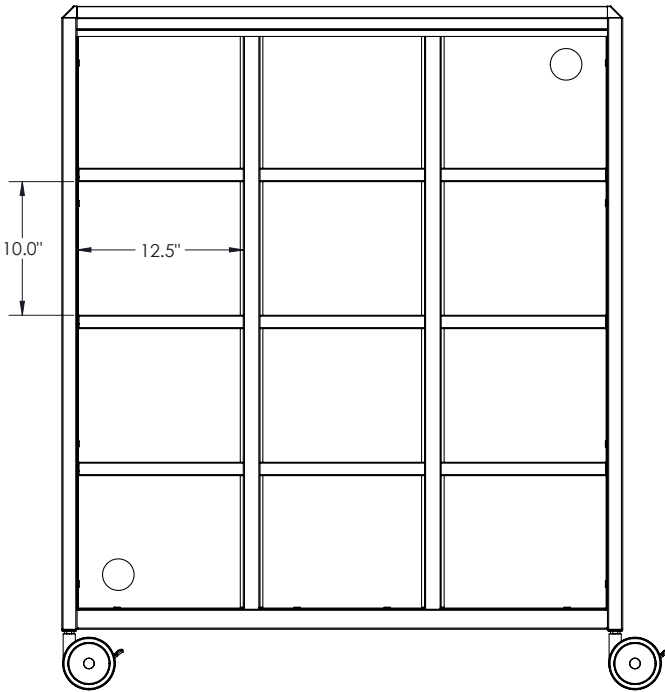


MAXI H1

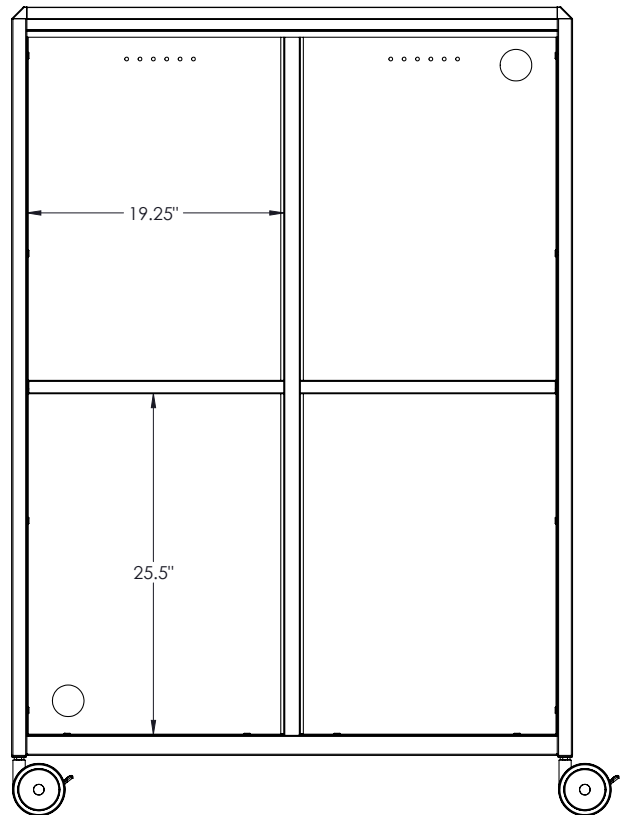


MAXI H2

\*\*All cabinet cubbies are 18" deep\*\*



MAXI H3



GRANDE