



Product Specifications

Hierarchy Compass Cabinets

Maxi H3

Model Number: C3XXXXXXXX

OVERVIEW

A customizable storage solution that integrates with accessories that promote an active learning environment.

SIDE PANEL SPECIFICATIONS

Side panels are 18 Ga powder coated steel reinforced with two 20 Ga 25mm square steel tubes. Side panels have option of two rows of 14 peg holes or fully perforated peg board panles for the mounting of accessories.

BODY SPECIFICATIONS

Top panel, rear panel, and bottom panel are all 18 Ga platinum powder coated steel. There are two 20 Ga hat sections welded to the top panel, running lengthwise. The bottom panel has one 20 Ga hat section centered front to back and running lengthwise and the rear panel has three 20 Ga hat sections running vertically. The bottom panel and hat sections in the top and rear panels have threaded holes to secure the 18 Ga steel upright assembly. The upright assembly is two C-channels connected by two steel plates at the top and bottom. The back C-channel and the two steel plates have slots to be attached to the main body with six M6 x 12mm screws total. Rear panel is also available with a porcelain steel markerboard adhesive skin applied to exterior.

GLIDE/CASTER SPECIFICATIONS

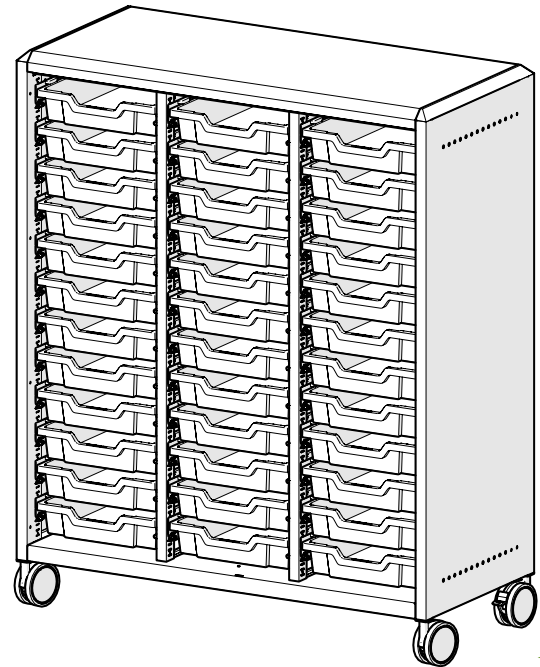
Four 100mm casters are constructed from a reinforced plastic body with non-marking gray polyurethane wheels. Two casters are locking. Casters and optional nylon glides have a 0.5" x 1" stem.

DOOR SPECIFICATIONS

Optional doors are 18 ga steel with a 20 Ga vertical hat channel. The right door has a locking mechanism that is secured in the top and bottom panels while locked and features a break-resistant key. The doors are fully hinged and can be opened 270° to be flat against the side of the cabinet.

SHELF SPECIFICATIONS

Optional shelves are 18 Ga steel with a 20 Ga hat section running lengthwise along the bottom. The 1" thick shelves can be placed at any height.



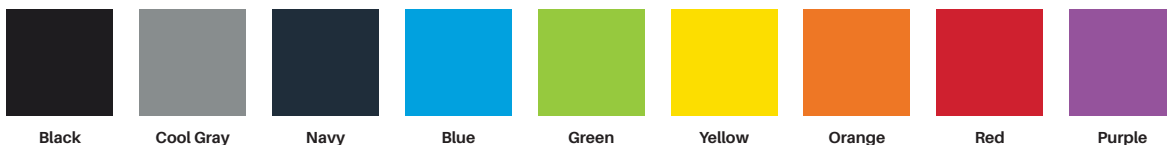
ENDCAP SPECIFICATIONS

Endcaps are cast aluminum. Standard endcaps are held in with four M6 x 12mm screws and create a flush edge around the cabinet top. Mounting castings are used with our top accessories and are held in with two M6 x 12mm screws. Optional handles are cast aluminum and raise 2.5" off the top of the cabinet. They are held to the body of the cabinet with four M6 x 12mm screws.

TRAY SPECIFICATIONS

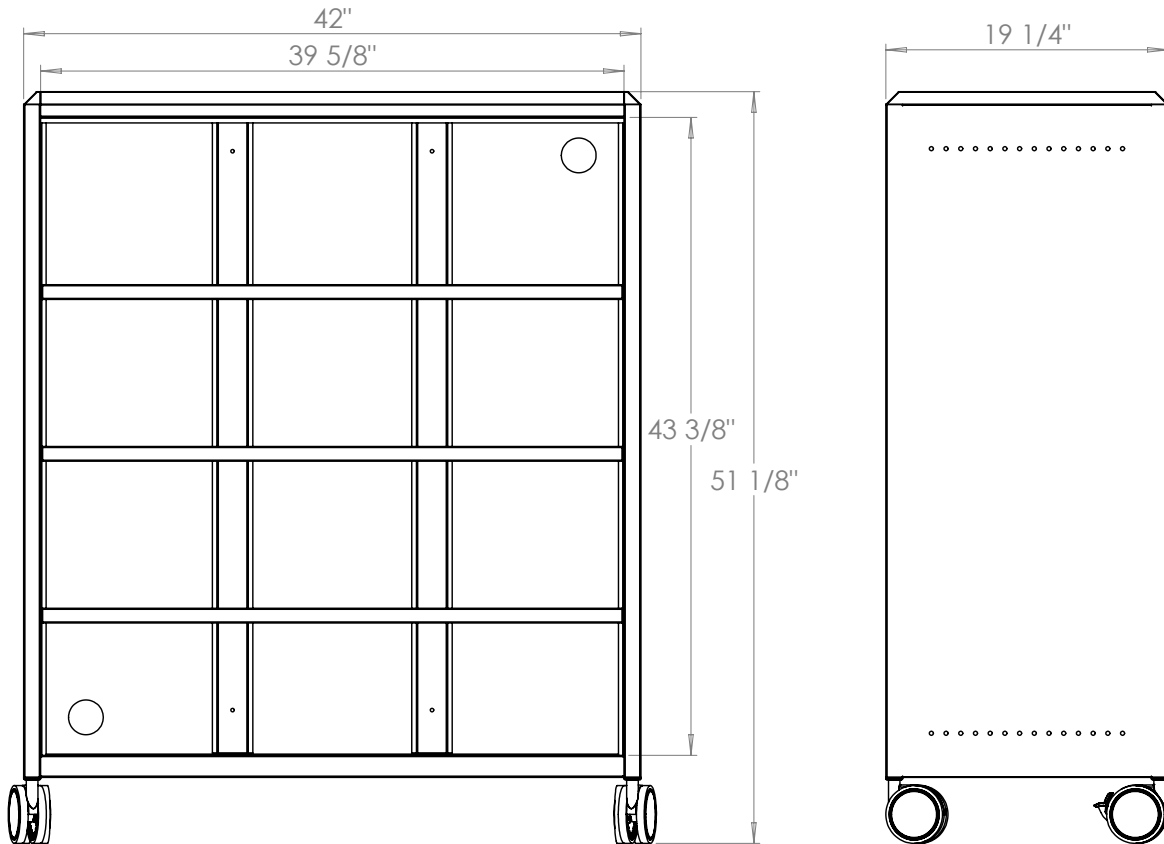
Compass uses Gratnell's trays and the stop-safe runner system to allow customization within the cabinet. Runners clip into the side panels and upright assemblies in a virtually unlimited amount of configurations.

SIDE COLOR



BODY COLOR





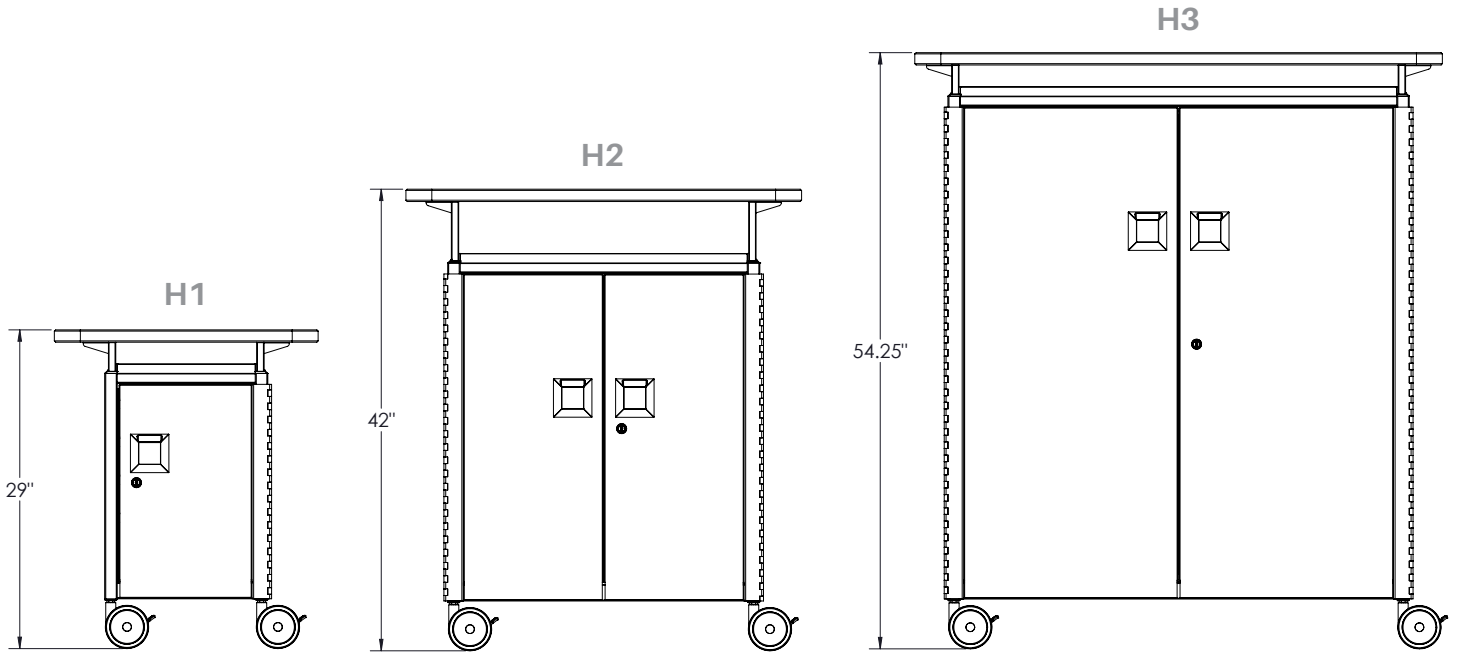
DIMENSIONS

Part Number	Filling (Per Column)	Dimensions
C3XXXXAXXX	Twelve 3" Trays	41 7/8" W x 51 1/8" H x 19 1/8" D
C3XXXXBXXX	Six 6" Trays	41 7/8" W x 51 1/8" H x 19 1/8" D
C3XXXXCXXX	Six 3", Three 6" Trays	41 7/8" W x 51 1/8" H x 19 1/8" D
C3XXXXDXXX	Three Full Width Shelves	41 7/8" W x 51 1/8" H x 19 1/8" D
C3XXXXEXXX	Twelve Cubbies (Total)	41 7/8" W x 51 1/8" H x 19 1/8" D
C3XXXXFXXX	Three 3", Three 6", One 12" Trays	41 7/8" W x 51 1/8" H x 19 1/8" D
C3XXXXGXXX	Three 3", Five 6" Trays	41 7/8" W x 51 1/8" H x 19 1/8" D
C3XXXXHXXX	Eight 3", Two 6" Trays	41 7/8" W x 51 1/8" H x 19 1/8" D

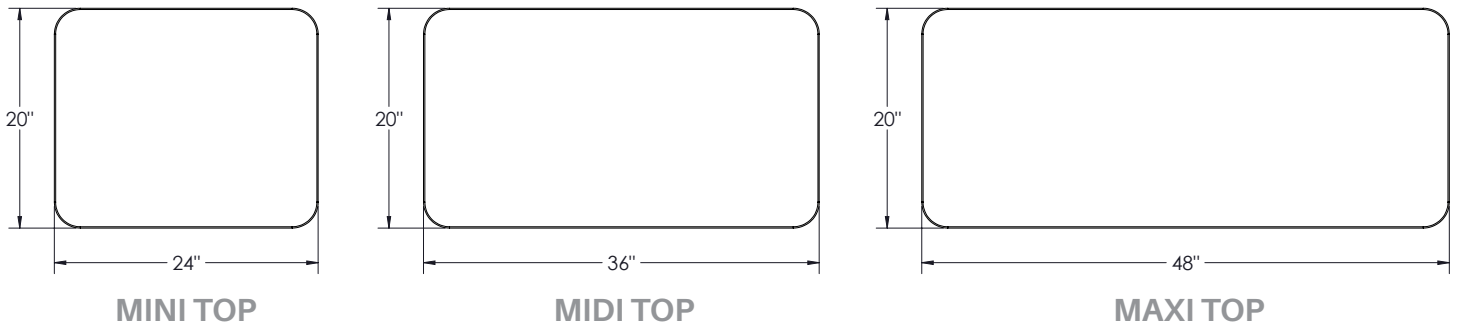
OPTIONS

- Available with porcelain steel markerboard back panel
- Available with perforated side panels (Only in Gray)
- Available with casters or glides.
- Available with side panels in all nine Hierarchy Colors
- Available with or without doors.
- Available with preset or custom filling options.

Hierarchy Compass Cabinets Transaction Top Dimensions



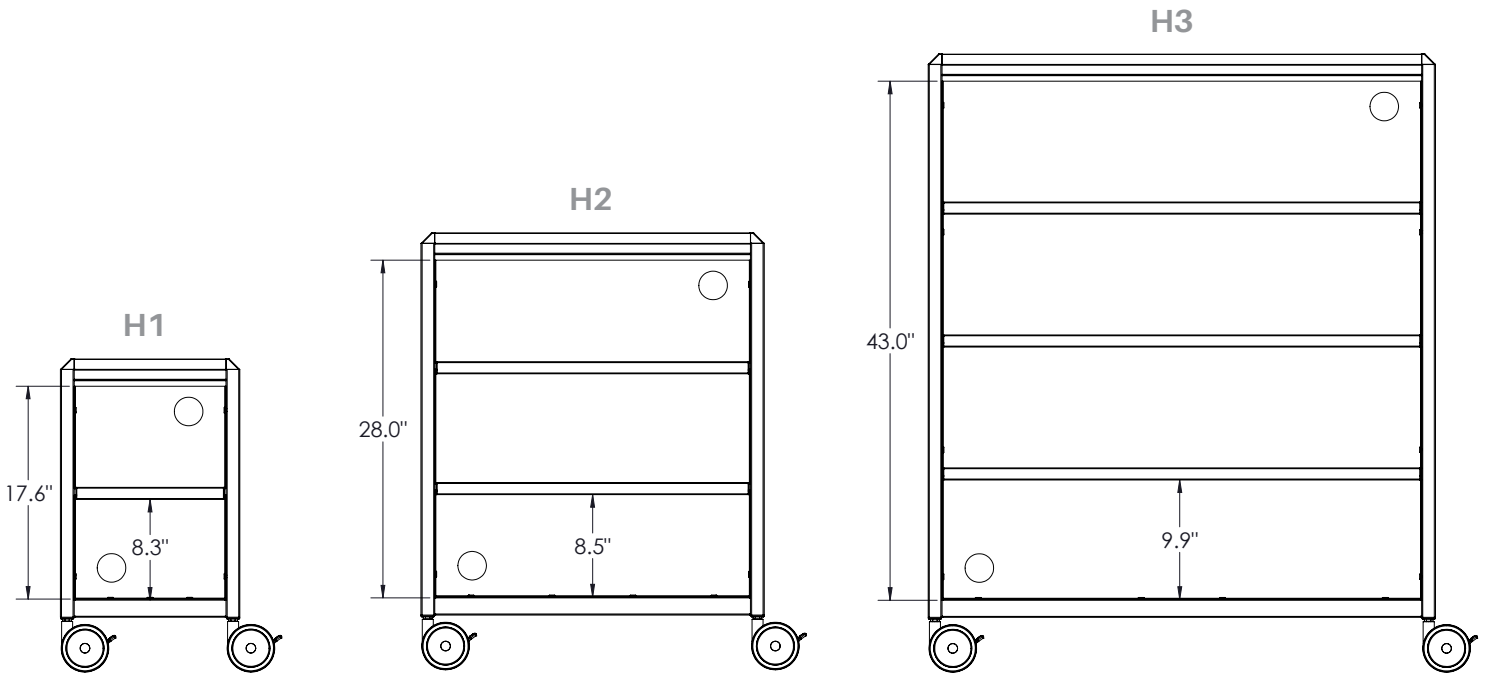
TRANSACTION TOP DIMENSIONS



****Laminate tops are 1 1/8" thick particle board core with HPL and 3mm T-mold Edge****

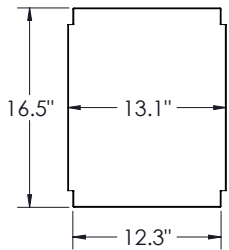
Hierarchy Compass Cabinets

Shelf Dimensions

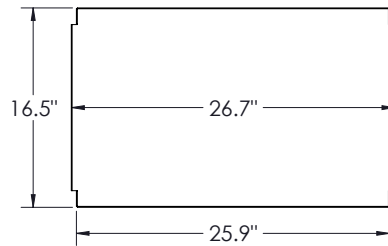


****Assumes equal spacing of shelves****

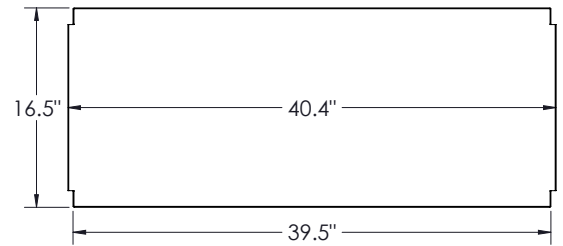
INTERNAL DIMENSIONS



MINI SHELF



MIDI SHELF

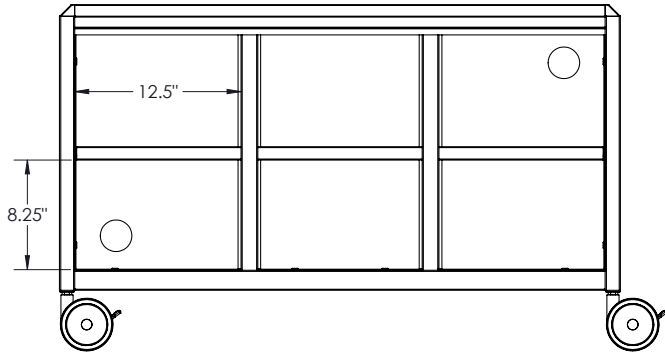


MAXI SHELF

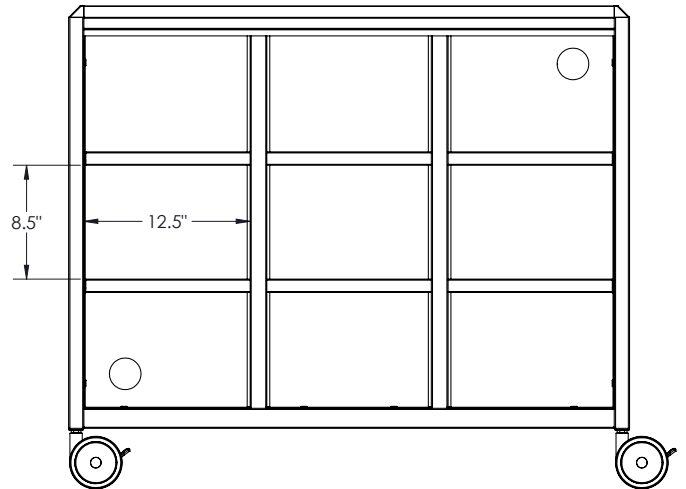
****All shelves are 1" thick and height adjustable in 1/2" increments****

Hierarchy Compass Cabinets

Cubby Dimensions

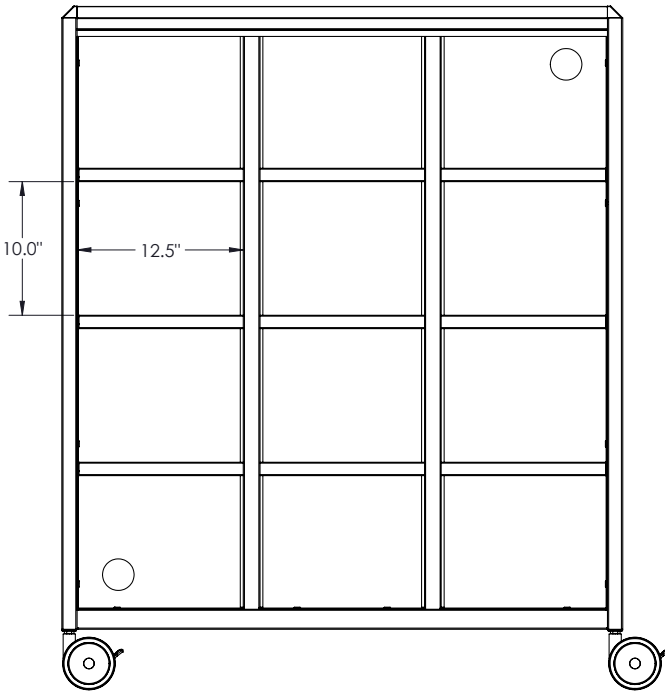


MAXI H1

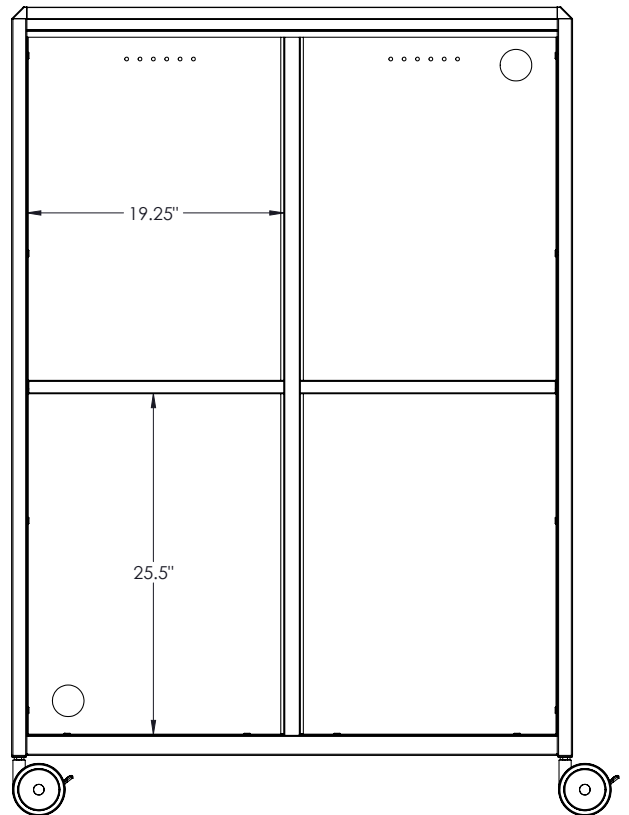


MAXI H2

All cabinet cubbies are 18" deep



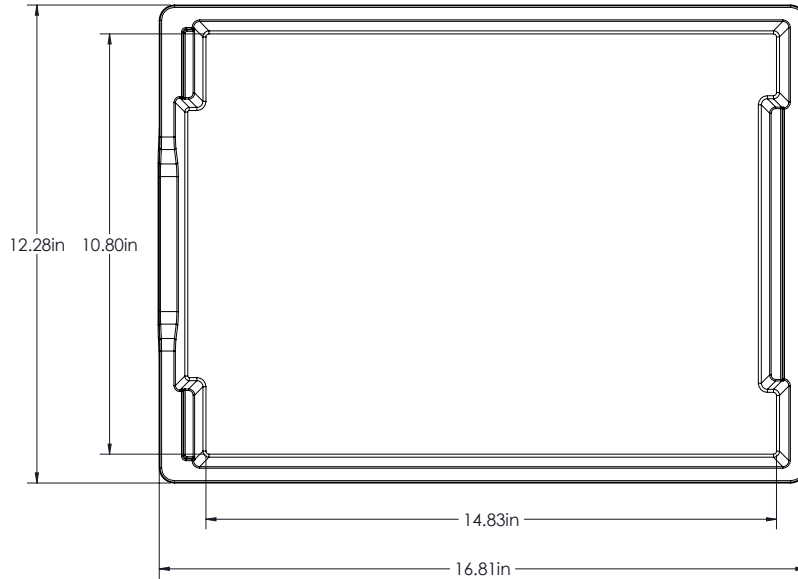
MAXI H3



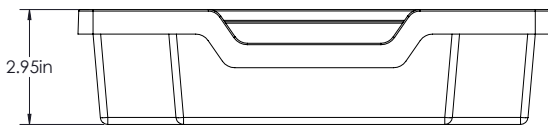
GRANDE

Hierarchy Compass Cabinets

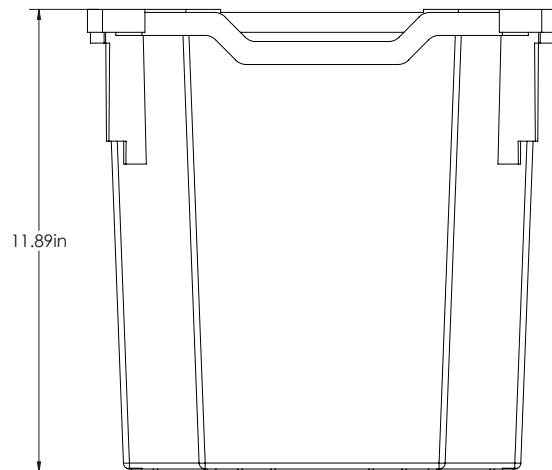
Tray Dimensions



3" TRAY



12" TRAY



6" TRAY

