



Product Specifications

Hierarchy Compass Cabinets

Mini H3

Model Number: C1XXXXXXXX

OVERVIEW

A customizable storage solution that integrates with accessories that promote an active learning environment.

SIDE PANEL SPECIFICATIONS

Side panels are 18 Ga powder coated steel reinforced with two 20 Ga 25mm square steel tubes. Side panels have option of two rows of 14 peg holes or fully perforated peg board panels for the mounting of accessories.

BODY SPECIFICATIONS

Top panel, rear panel, and bottom panel are all 18 Ga platinum powder coated steel. There are two 20 Ga hat sections welded to the top panel, running lengthwise. The bottom panel has one 20 Ga hat section centered front to back and running lengthwise. Rear panel is also available with a porcelain steel markerboard adhesive skin applied to exterior.

GLIDE/CASTER SPECIFICATIONS

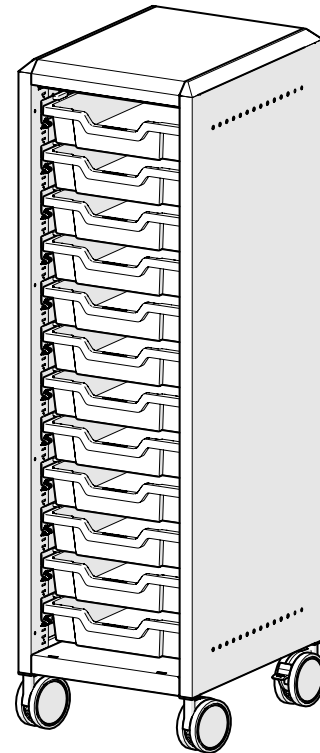
Four 100mm casters are constructed from a reinforced plastic body with non-marking gray polyurethane wheels. Two casters are locking. Casters and optional nylon glides have a 0.5" x 1" stem.

DOOR SPECIFICATIONS

Optional doors are 18 ga steel with a 20 Ga vertical hat channel. Available with either a right or left handed door with a locking mechanism that is secured in the top and bottom panels while locked and features a break-resistant key. The doors are fully hinged and can be opened 270° to be flat against the side of the cabinet.

SHELF SPECIFICATIONS

Optional shelves are 18 Ga steel with a 20 Ga hat section running lengthwise along the bottom. The 1" thick shelves can be placed at any height.



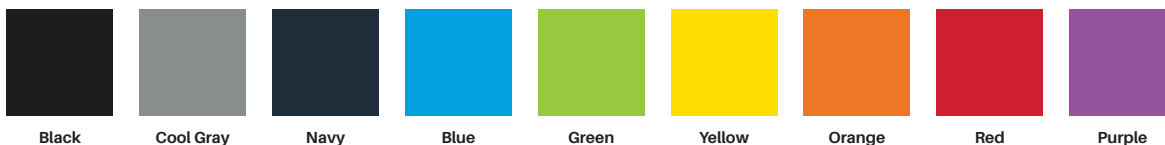
ENDCAP SPECIFICATIONS

Endcaps are cast aluminum. Standard endcaps are held in with four M6 x 12mm screws and create a flush edge around the cabinet top. Mounting castings are used with our top accessories and are held in with two M6 x 12mm screws. Optional handles are cast aluminum and raise 2.5" off the top of the cabinet. They are held to the body of the cabinet with four M6 x 12mm screws.

TRAY SPECIFICATIONS

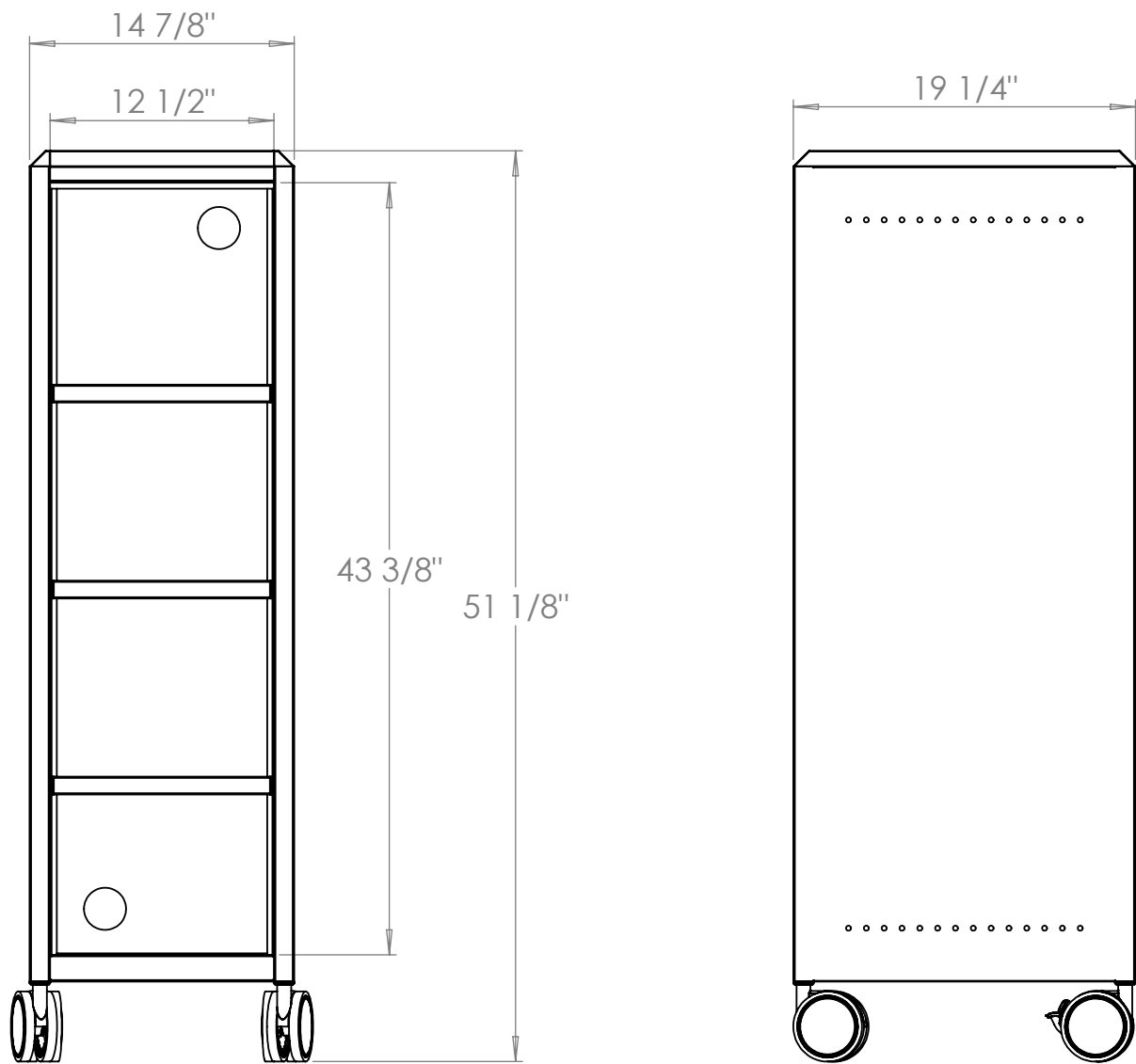
Compass uses Gratnell's trays and the stop-safe runner system to allow customization within the cabinet. Runners clip into the side panels and upright assemblies in a virtually unlimited amount of configurations.

SIDE COLOR



BODY COLOR





DIMENSIONS

Part Number	Filling	Dimensions
C1XXXXXXX	Twelve 3" Trays	14 7/8" W x 51 1/8" H x 19 1/8" D
C1XXXXBXXX	Six 6" Trays	14 7/8" W x 51 1/8" H x 19 1/8" D
C1XXXXCXXX	Six 3", Three 6" Trays	14 7/8" W x 51 1/8" H x 19 1/8" D
C1XXXXDXXX	Three Full Width Shelves	14 7/8" W x 51 1/8" H x 19 1/8" D
C1XXXXFXXX	Three 3", Three 6", One 12" Trays	14 7/8" W x 51 1/8" H x 19 1/8" D
C1XXXXGXXX	Three 3", Five 6" Trays	14 7/8" W x 51 1/8" H x 19 1/8" D
C1XXXXHXXX	Eight 3", Two 6" Trays	14 7/8" W x 51 1/8" H x 19 1/8" D

OPTIONS

Available with porcelain steel markerboard back panel

Available with perforated side panels (Only in Gray)

Available with casters or glides.

Available with side panels in all nine Hierarchy Colors

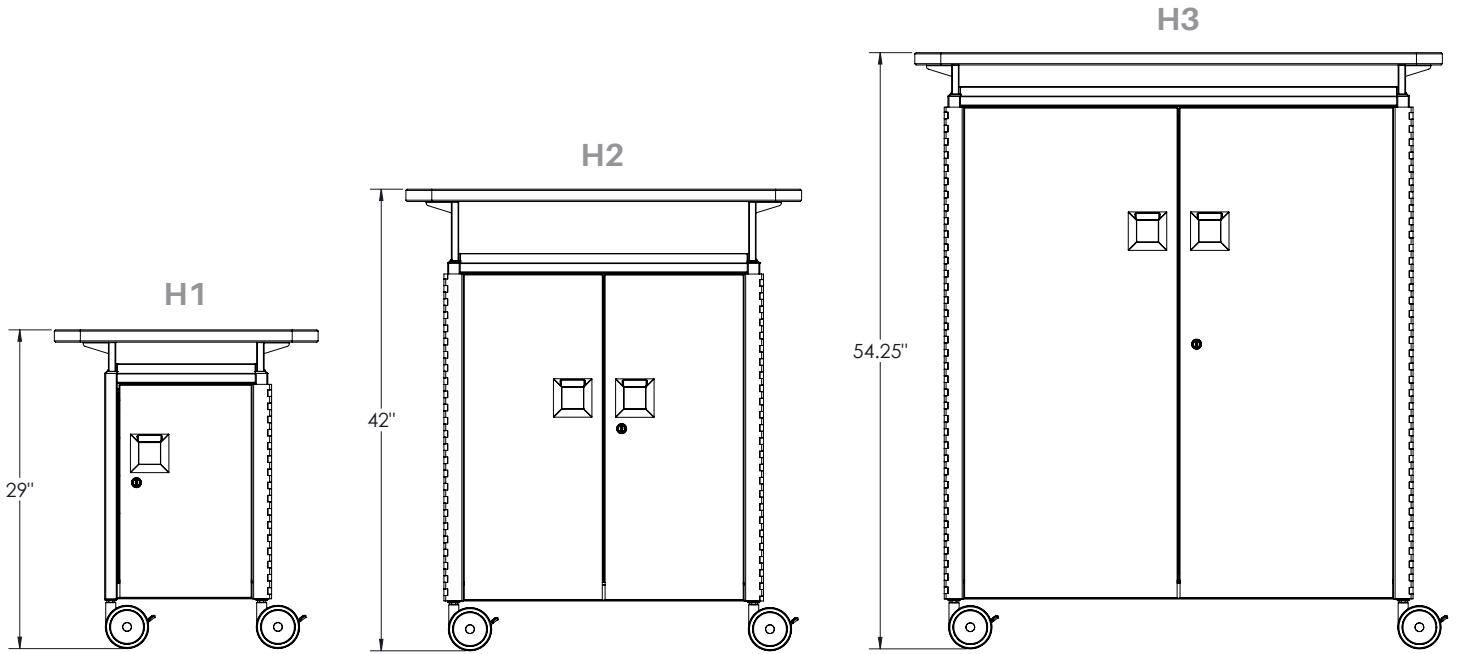
Available with or without doors.

Available with preset or custom filling options.

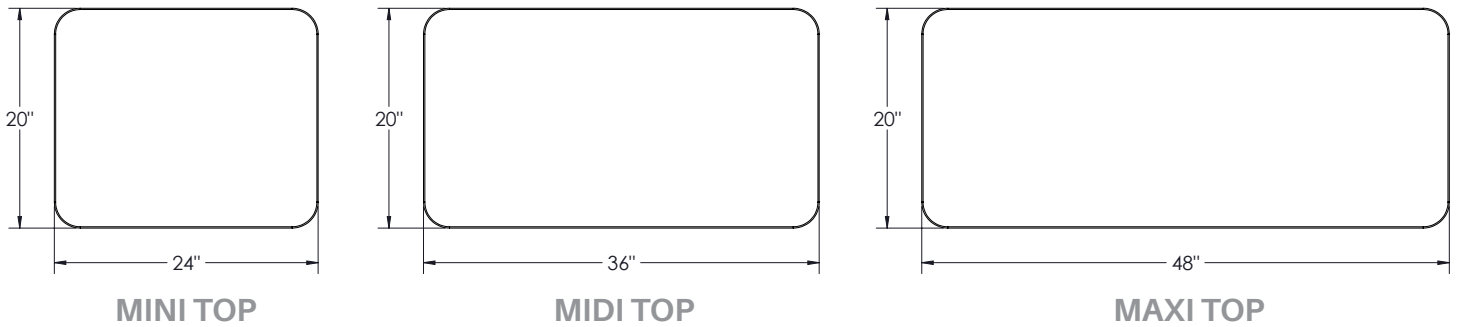


MOORECO INC.
 2885 Lorraine Avenue | Temple, TX 76501
 p: 800.749.2258 | f: 866.888.7483
www.moorecoinc.com

Hierarchy Compass Cabinets Transaction Top Dimensions



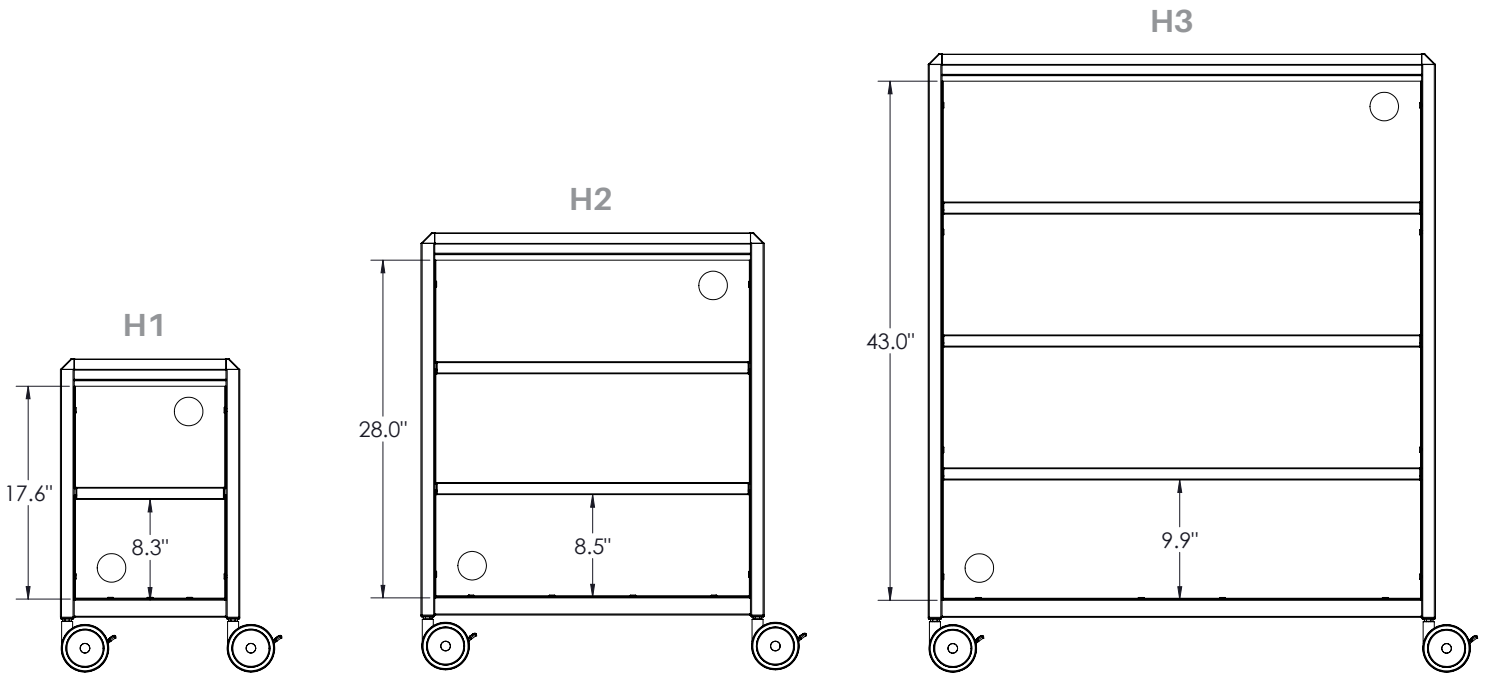
TRANSACTION TOP DIMENSIONS



****Laminate tops are 1 1/8" thick particle board core with HPL and 3mm T-mold Edge****

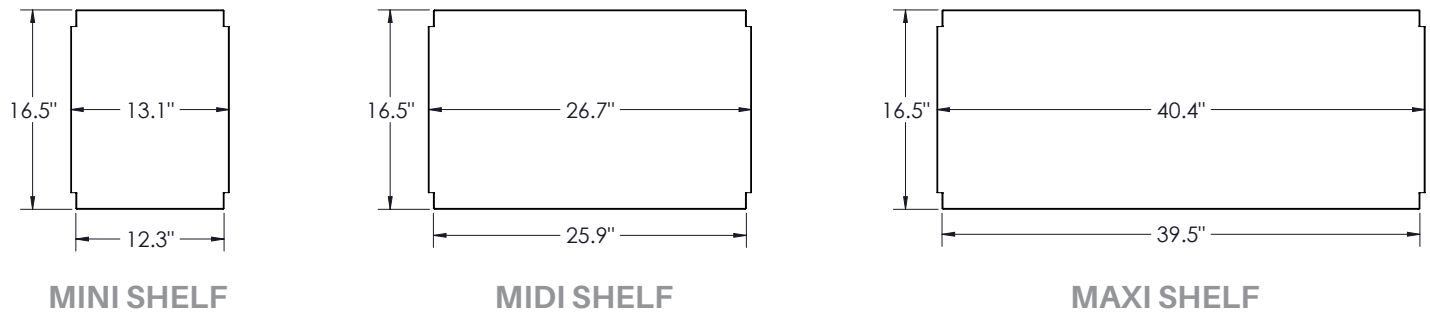
Hierarchy Compass Cabinets

Shelf Dimensions



****Assumes equal spacing of shelves****

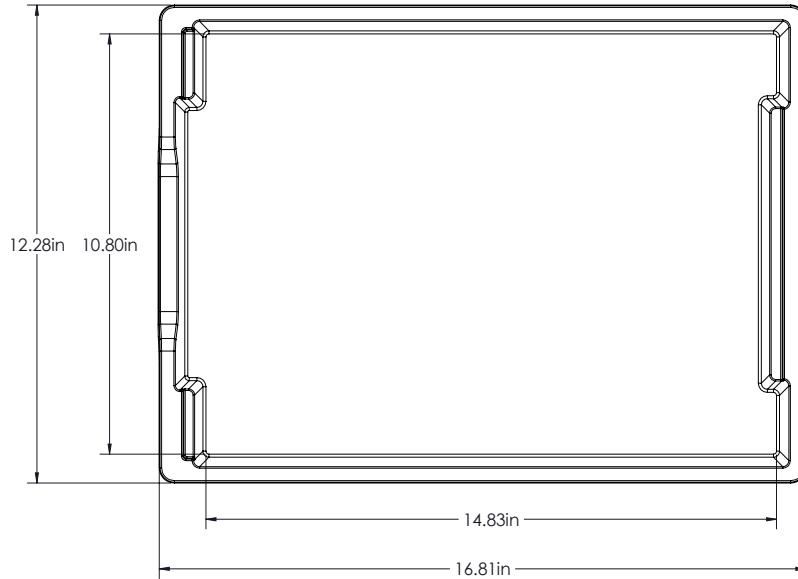
INTERNAL DIMENSIONS



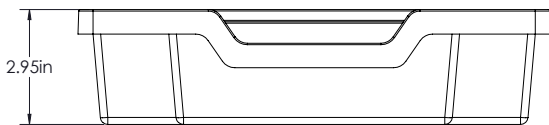
****All shelves are 1" thick and height adjustable in 1/2" increments****

Hierarchy Compass Cabinets

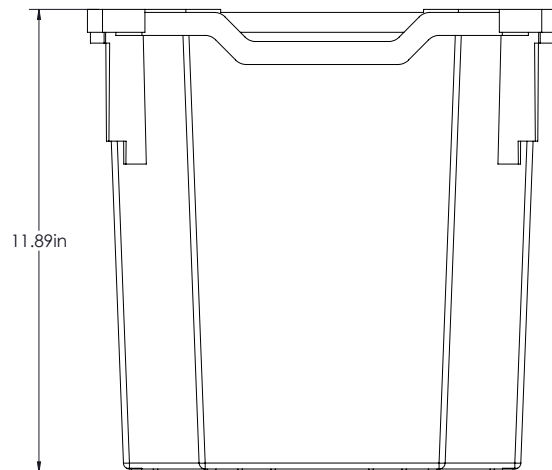
Tray Dimensions



3" TRAY



12" TRAY



6" TRAY

