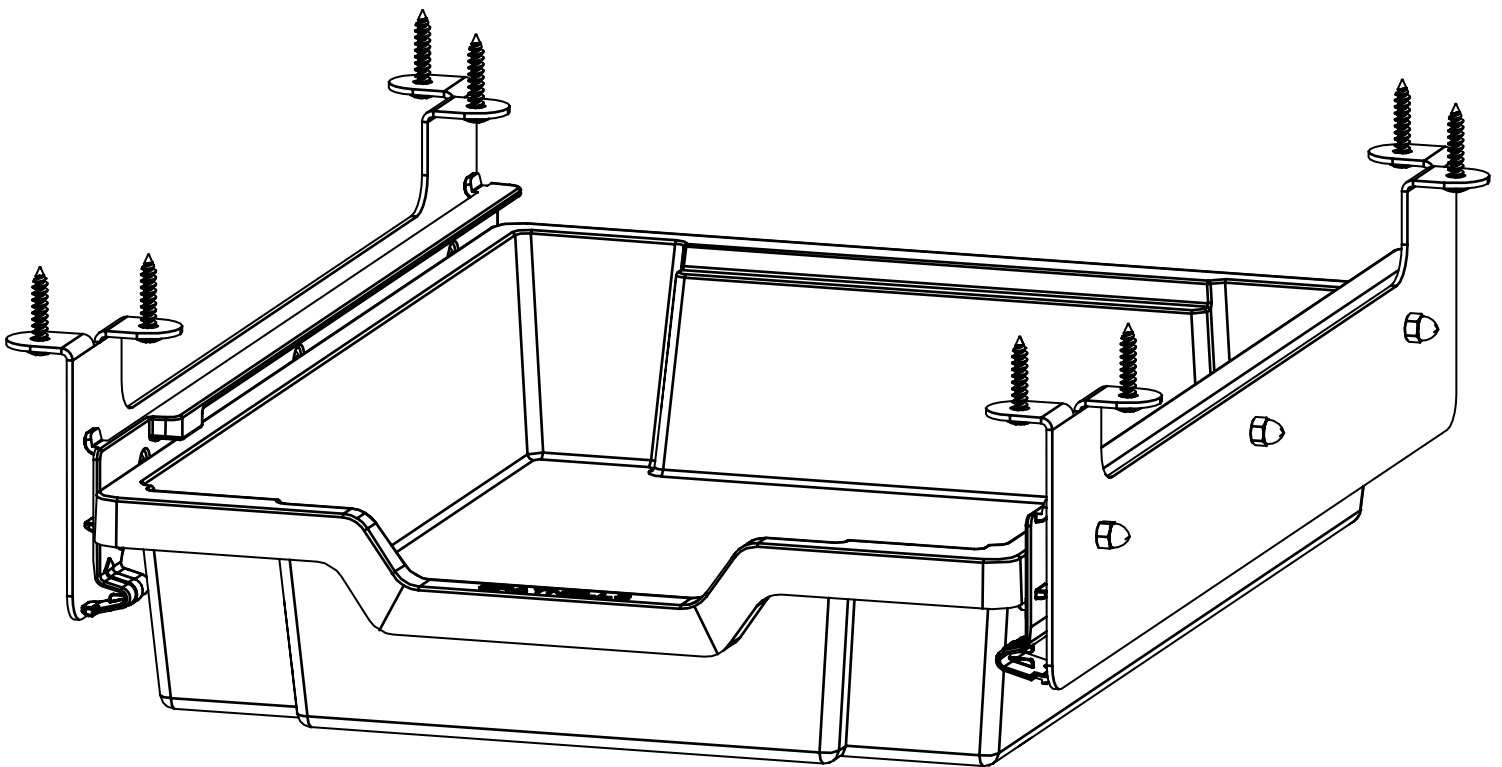


Student Desk Tote Tray 2

45128, 45131



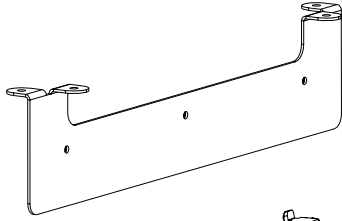
 **ASSEMBLY INSTRUCTIONS**
DO NOT THROW AWAY! 

INSTRUCCIONES DE ENSEMBLAJE
NO LA TIRE

INSTRUCTIONS DE MONTAGE
NE PAS JETER

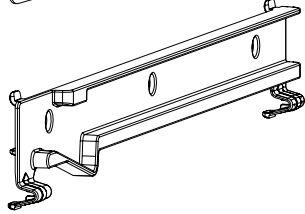
Parts List

P1 - Rail Bracket



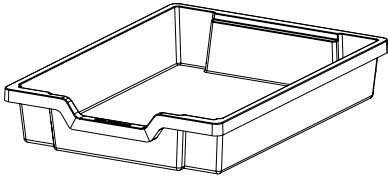
x2

P2 - Rail



x2

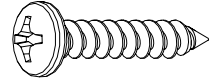
Optional:
P3 - Tray



x1

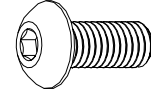
Hardware

A - #10 x 1" Wood Screw



x8

B - M5 - 12mm Screw



x6

C - M5 Steel Cap Nut



x6

WARNINGS AND DISCLAIMERS

Review full assembly instructions and check that all parts are present before beginning assembly. Heavy or large furniture may require multiple persons in order to properly assemble. If you have questions regarding assembly, contact the manufacturer before continuing. Damage due to incorrect assembly may not be covered by warranty. Do not use product unless all screws are tight. Check all screws for tightness at least every six months. If parts are broken, missing, damaged, or worn, stop use of the product until repairs are made by your dealer using factory authorized parts.

WARRANTY

For full product warranty details, please visit:

Para obtener información sobre la garantía del producto, consulte este sitio (inglés):

Pour plus d'informations sur la garantie du produit, consultez ce site (anglais):

<http://moorecoinc.com/warranty>

CARE & MAINTENANCE

For questions on assembly or missing/damaged parts, please contact us using the following information.

Para preguntas sobre el ensamblaje o piezas faltantes o dañadas, por favor contáctenos usando la siguiente información.

Pour toute question sur le montage l-assamblage manquantes ou endommagées, veuillez nous contacter en utilisant les l'information ci-dessous.

Email:

support@moorecoinc.com

Phone:

1.800.749.2258

(Monday - Friday, 8AM - 5PM

Central Time)

PRODUCT REGISTRATION

To register your product for warranty, please visit:

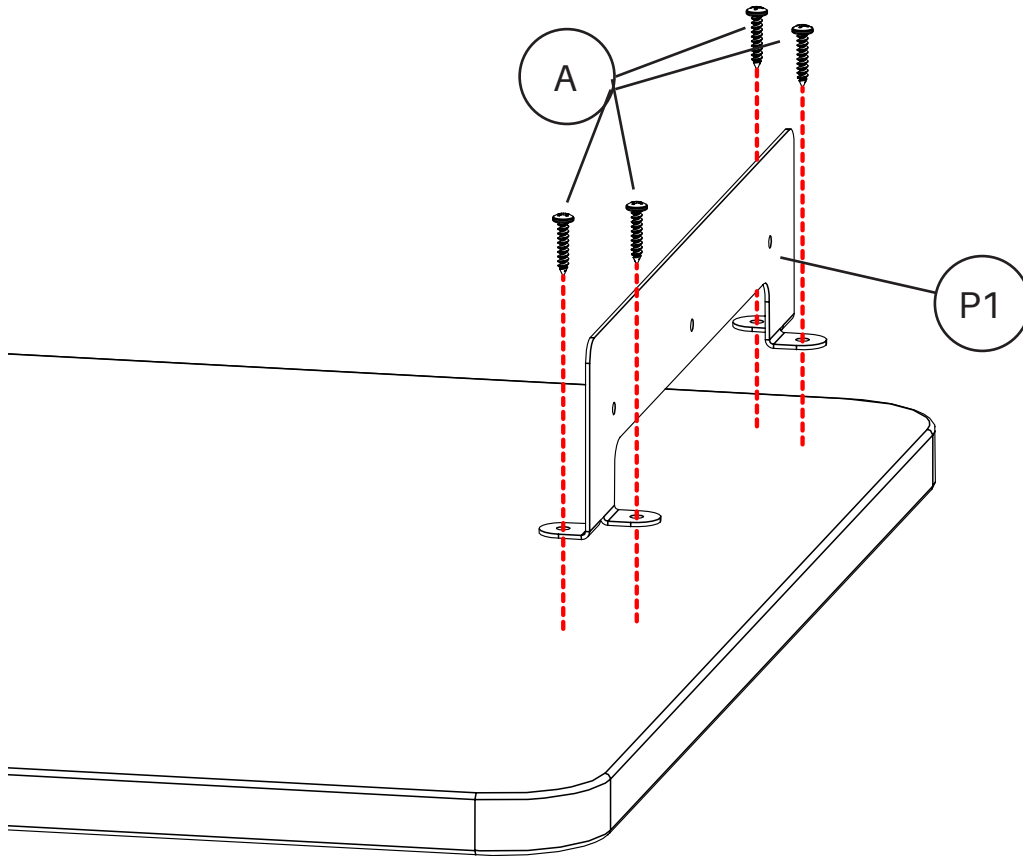
Para registrar la garantía del producto, vea este sitio (en inglés):

Pour enregistrer la garantie de votre produit, consultez ce site (en anglais):

<https://moorecoinc.com/register>

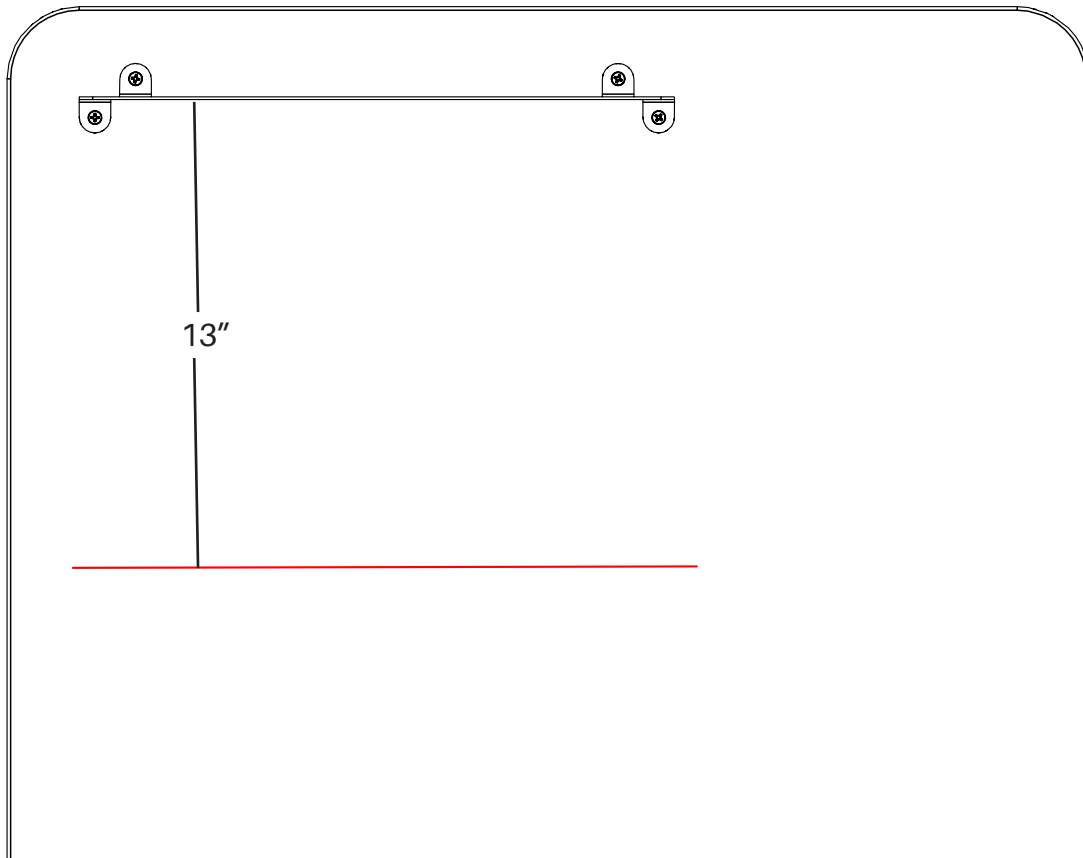
STEP 1

Place one Rail Bracket (P2) on table and secure assembly using four (4) #10 x 1" Wood Screws (A).



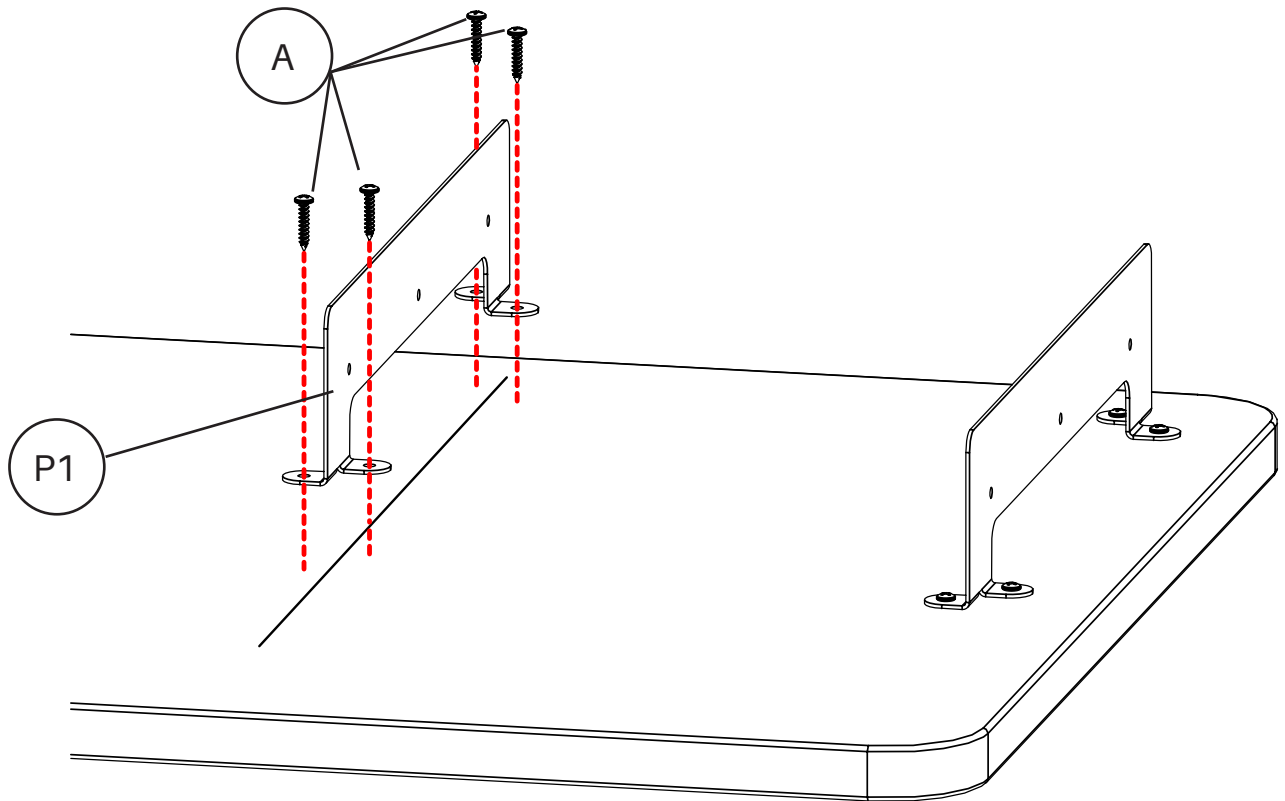
STEP 2

With one Rail assembly screwed into the top, measure 13" from the center of the bracket and make a mark.



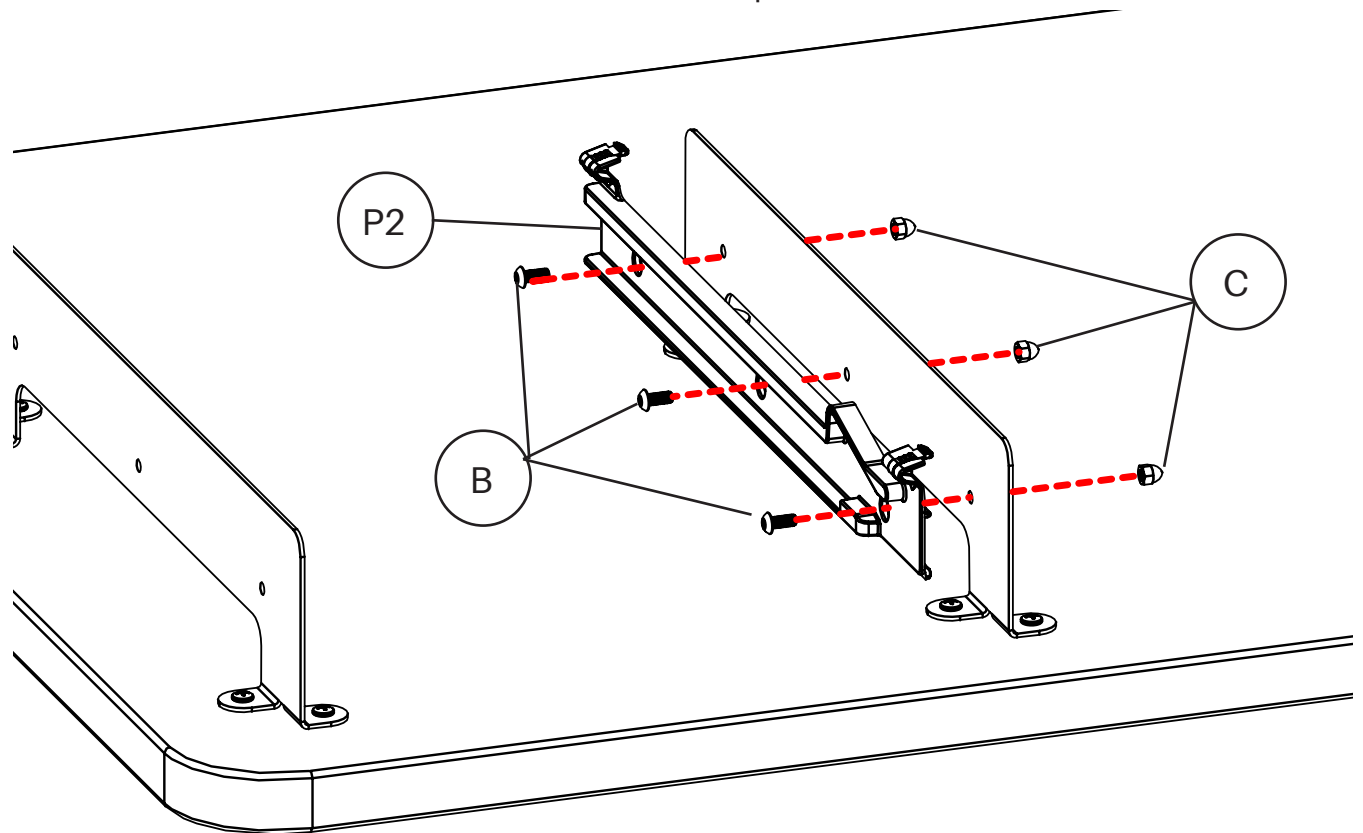
STEP 3

Line up the second Rail Bracket (P1) with the mark made from previous step. Screw in the second Rail Bracket (P1) using four (4) # 10 x 1" Wood Screws.



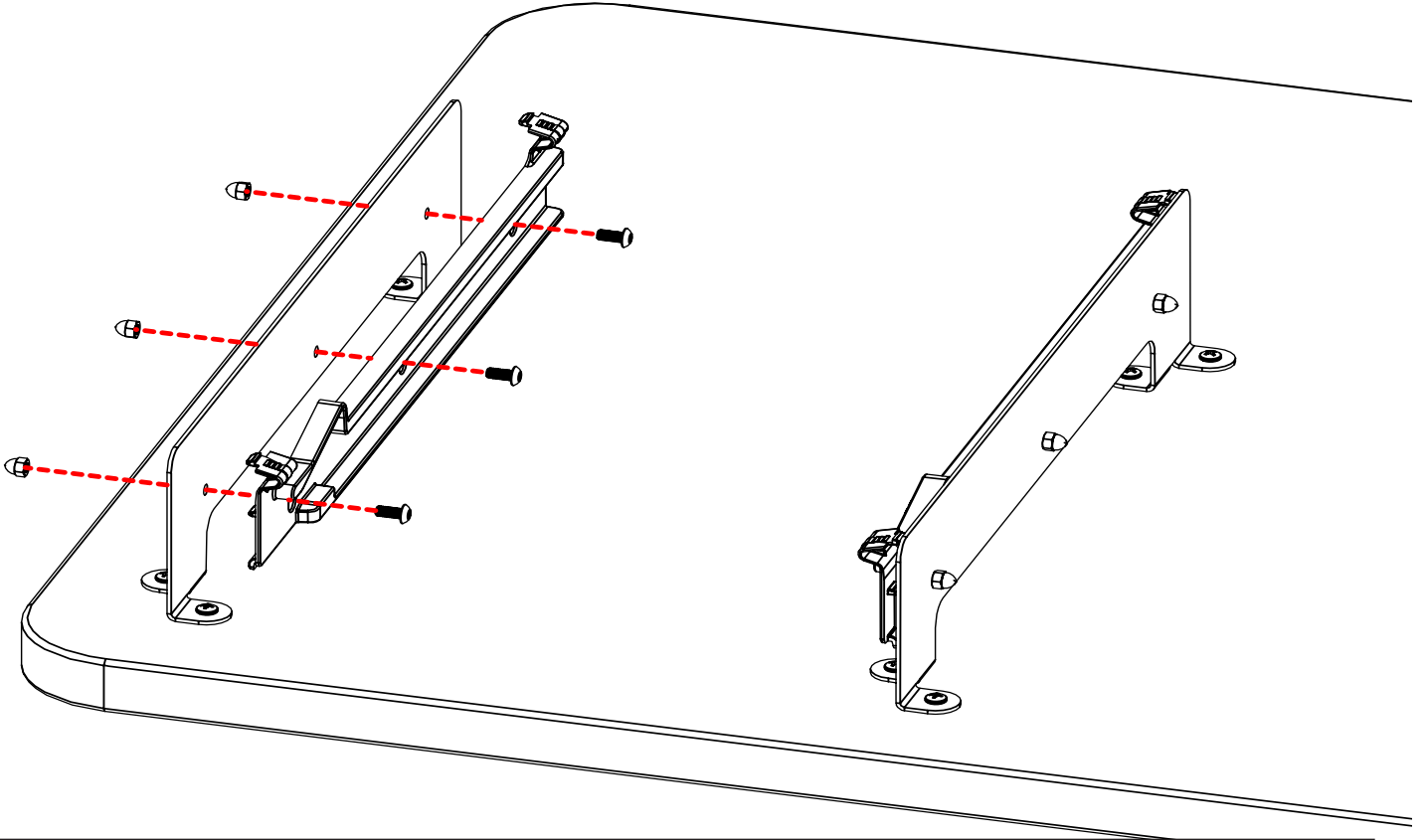
STEP 4

Screw together the Rail Bracket (P1) to one of the Rails (P2) using three (3) M5 - 12mm Screws (B) and three (3) M5 Steel Cap Nuts (C).



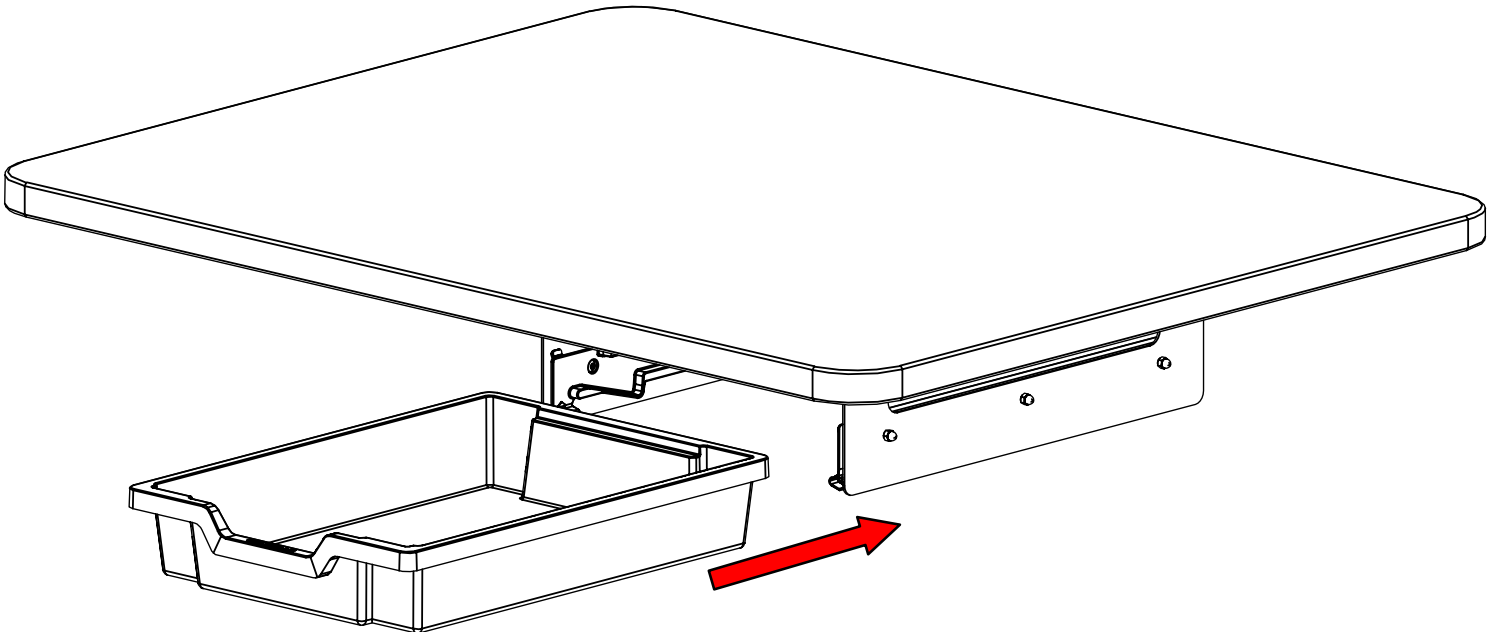
STEP 5

Repeat with other side by mirroring bracket.



Optional

Insert tray into rail assembly.



THIS COMPLETES ASSEMBLY INSTRUCTION