

Elate Electric Height Adjustable Desks

Part Numbers: 594XX

TOP:

The top is made of 1 1/8" Particleboard Core with 3mm Flat Vinyl T-Mold Edge. The work surface is constructed of 45# particleboard core with high-pressure laminate (HPL) top surface and phenolic backer sheet for balanced construction. 1 1/8" 3mm flat vinyl t-mold is secured to the work surface with brad nails along the perimeter. See feature sheet for laminate and edgeband color options

FRAMES, COLUMNS AND FEET:

The frames have a column connect and lock for quick and easy assembly of the C-leg construction. All frame, column and feet construction is made out of steel. The frame is made up of 8 gauge steel (0.165" thickness). The columns are 2.5" x 3.75" steel tubes with 2.25" x 3.5" and 2" x 3.25" steel tubes nested inside for height adjustability. The frame, column and feet are powder coated platinum.

The Elate Electric Height Adjustable Desk is available in two types of frames: the two leg frame and three leg frame.

The two leg frame has 17" height adjustment range. There are two motors, one for each leg, to allow height adjustability. The frame has a 220lb lift capacity.

The three leg frame has 26" height adjustment range. There are three motors, one for each leg, to allow height adjustability. The frame has a 330lb lift capacity.

The speed of the height adjustability on all frames are 1/4"/sec.

All frames are ADA compliant.

KEYPAD:

The digital keypad controls the height of the table. There are three memory settings to save preferred heights. Height can also be manually adjusted with the up and down arrow buttons. The display shows the height of the table to the nearest 1/2". It can slide under the surface for easy storage.

CASTERS:

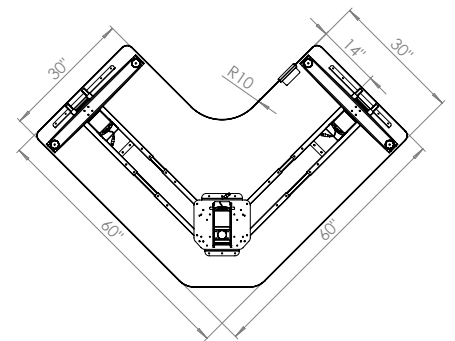
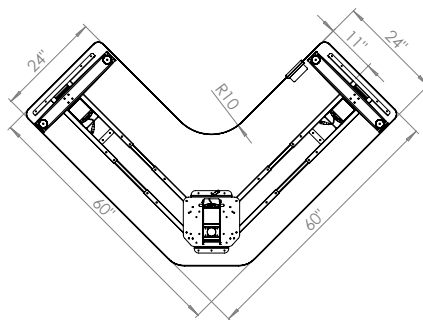
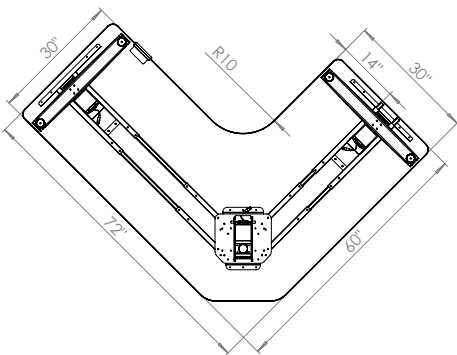
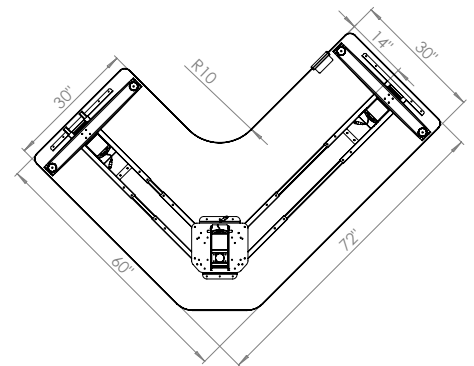
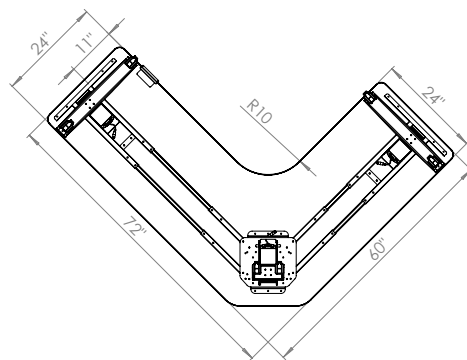
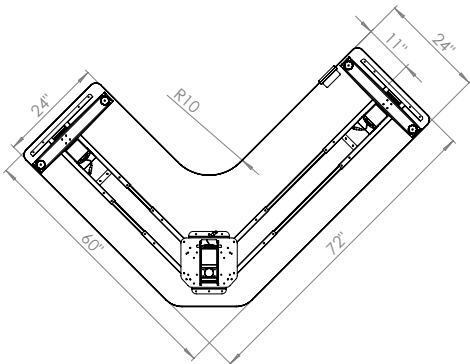
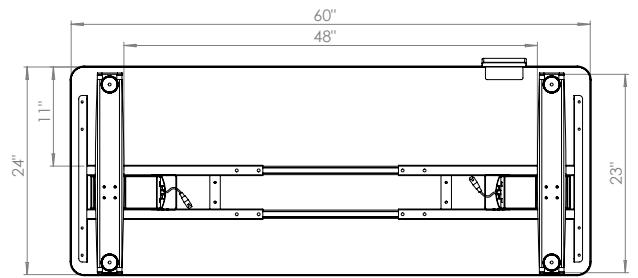
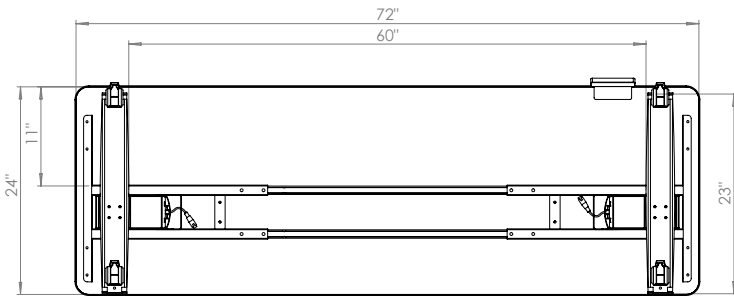
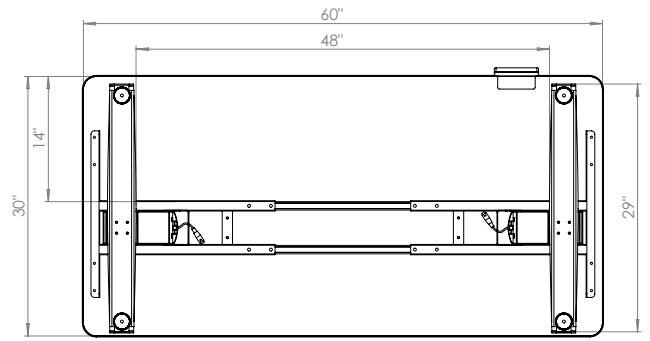
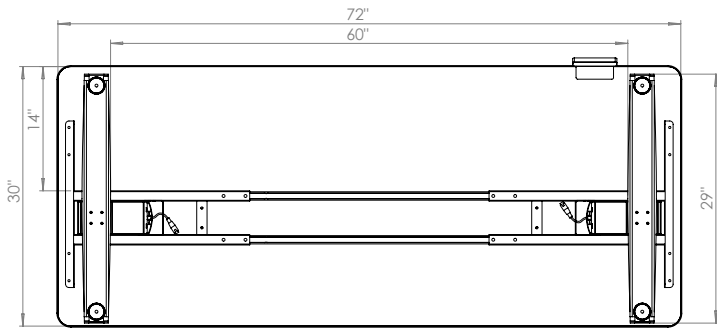
Dual-wheel locking casters are 50mm diameter with a zinc core and 10mm polyurethane tread.



COMPLIANCE:

SCS Indoor Advantage Gold certified.

Meets or exceeds BIFMA testing.

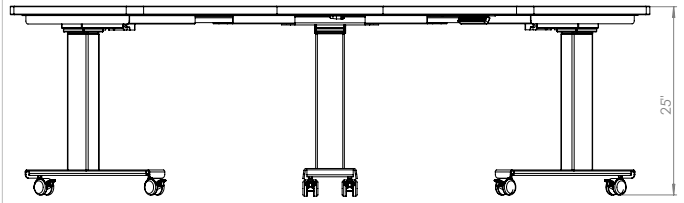


MOORECO INC.
 2885 Lorraine Avenue | Temple, TX 76501
 p: 800.749.2258 | f: 866.888.7483
www.moorecoinc.com

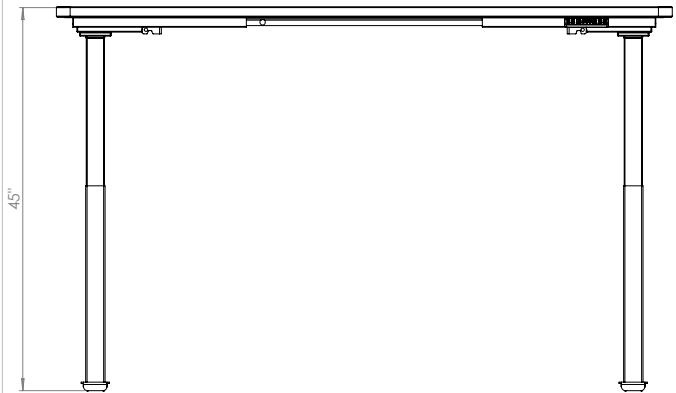
2 Leg Desk Lowest Height



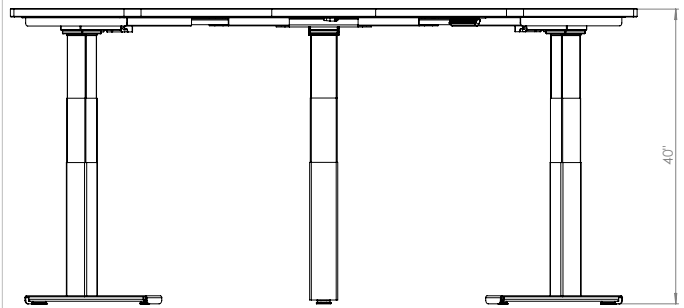
3 Leg Desk Lowest Height



2 Leg Desk Highest Height



3 Leg Desk Highest Height



DIMENSIONS:

Base Model No.	Description	Width - Frame "	Depth - Frame "	Height Adjustment - Frame "	Width - Table "	Depth - Table "
594X0	2 Leg Height Adjustable Desk	36.00"-72.00"	6.00"	28.00" - 45.00"	72.00"	30.00"
594X1	2 Leg Height Adjustable Desk	36.00"-72.00"	6.00"	28.00" - 45.00"	60.00"	30.00"
594X2	2 Leg Height Adjustable Desk	36.00"-72.00"	6.00"	28.00" - 45.00"	72.00"	24.00"
584X3	2 Leg Height Adjustable Desk	36.00"-72.00"	6.00"	28.00" - 45.00"	60.00"	24.00"
594X4	3 Leg Height Adjustable Desk 24W	48.00"-84.00"	6.00"	25.00" - 40.00"	72.00"	60.00"
594X5	3 Leg Height Adjustable Desk 24W	48.00"-84.00"	6.00"	25.00" - 40.00"	72.00"	60.00"
594X6	3 Leg Height Adjustable Desk 30W	48.00"-84.00"	6.00"	25.00" - 40.00"	72.00"	60.00"
594X7	3 Leg Height Adjustable Desk 30W	48.00"-84.00"	6.00"	25.00" - 40.00"	72.00"	60.00"
594X8	3 Leg Height Adjustable Desk 24W	48.00"-84.00"	6.00"	25.00" - 40.00"	60.00"	60.00"
594X9	3 Leg Height Adjustable Desk 30W	48.00"-84.00"	6.00"	25.00" - 40.00"	60.00"	60.00"



MOORECO INC.
 2885 Lorraine Avenue | Temple, TX 76501
 p: 800.749.2258 | f: 866.888.7483
www.moorecoinc.com