

AKT Soft Seating

Part Numbers: AK-AL-292918, AK-AL-295418, AK-AL-297818, AK-LO-293818, AK-LO-296618, AK-LO-298718, AK-CO-292918, AK-BN-292918, AK-BN-292418, AK-BN-297818, AK-HB-293718, AK-HB-295918, AK-HB-295918, AK-TB-292910, AK-TB-295410, AK-TB-297810, AK-OT-313118, AK-OT-5005015

FRAMES AND WEBBING:

Frames are made of 3/4" CDX plywood with 2" x 7/8" air dried poplar hardwood for internal applications. Glue used in framing is Hi-Tac waterbased wood adhesive. Arms and backs (when applicable) are attached to seat frames with multiple 5/16" x 18 T-nuts and 5/16" x 18 x 2" NC Grade A RoHS compliant bolts with RoHS compliant 5/16" flat washers. Framing wood is stapled with both wide crown framing Staples, 1" crown x 5/8" length galvanized, and regular framing staples, 5/16" crown x 1-1/2" length galvanized.

Matrex Sytex engineered Y 370 3" webbing is used for seat and back suspensions and attached with 1/2" crown x 1/2" length fine wire galvanized staples.

FOAM:

All foam for foam based soft seating is 1.5 density 55 ILD and is attached with hot melt adhesive.

STITCHING AND UPHOLSTERY:

Top stitching (double stitching) on all upholstered items. A minimum of 7 stitches per inch. All threads are Tristar Nylbond HB 16 oz.

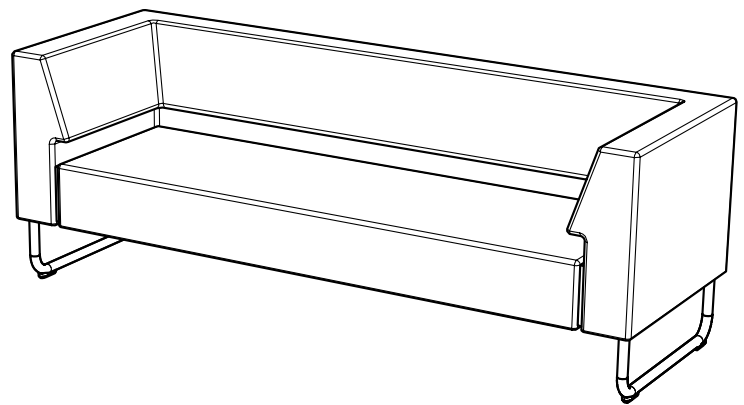
Upholstery by Momentum, Mayer, Spadling, and Culp is offered for all of our soft seating options. Upholstery is attached with 3/8" x 3/8" length fine wire galvanized staples and is protected with the Elite 200 dust cover.

LEGS:

The legs are made out of 1.25" steel tubing welded on 10 gauge metal. The legs are powder coated black. The nylon glides are attached to the steel tubes using rivets.

TABLES:

The top is made of 1-1/8" Particleboard Core with 3mm Flat Vinyl T-Mold Edge. The work surface is constructed of 45# particleboard core with high-pressure laminate (HPL) top surface and phenolic backer sheet for balanced construction. 1 1/8" 3mm flat vinyl T-mold is secured to the work surface with brad nails along the perimeter. See feature sheet for laminate and edgeband color options.

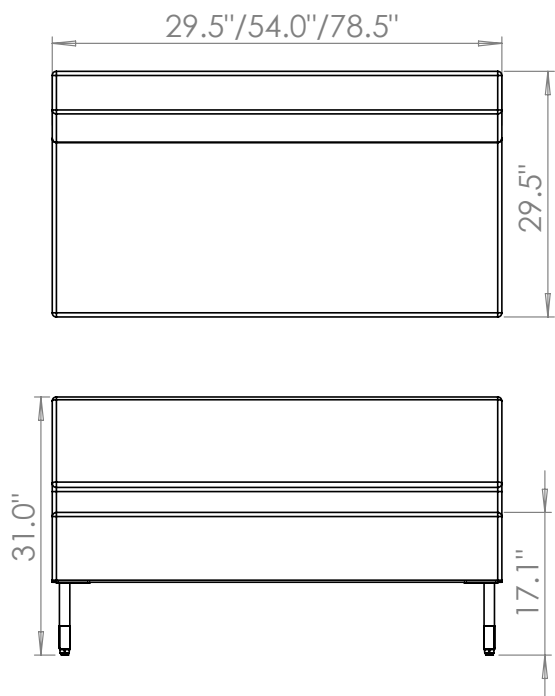


COMPLIANCE:

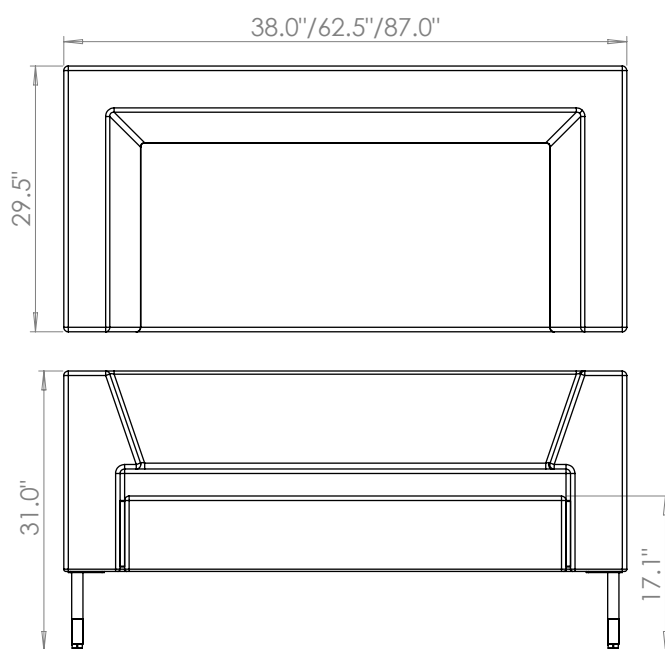
Indoor Advantage Gold certified.

All Akt soft seating pass BIFMA Tests.

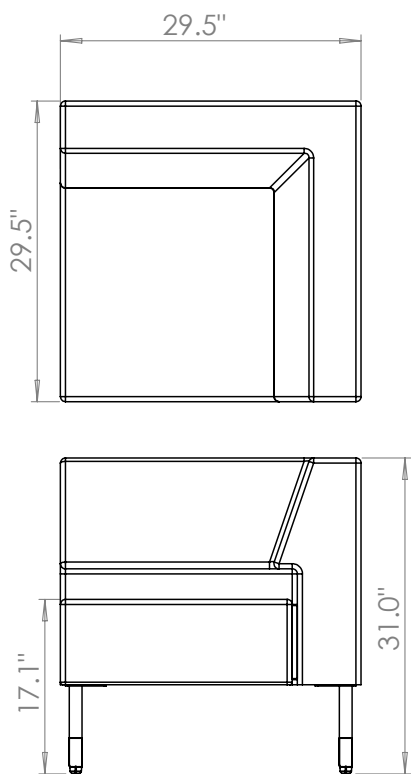
ARMLESS LOUNGE/LOVESEAT/SOFA



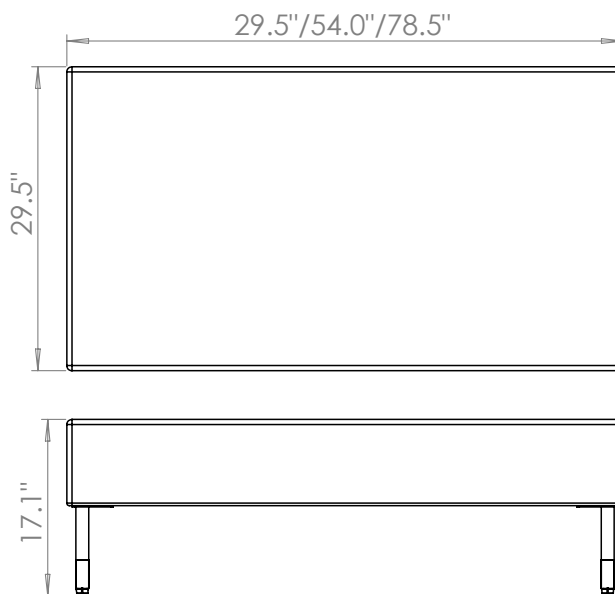
LOUNGE/LOVESEAT/SOFA WITH ARMS



CORNER LOUNGE



SINGLE/LOVESEAT/SOFA BENCH



MOORECOTM

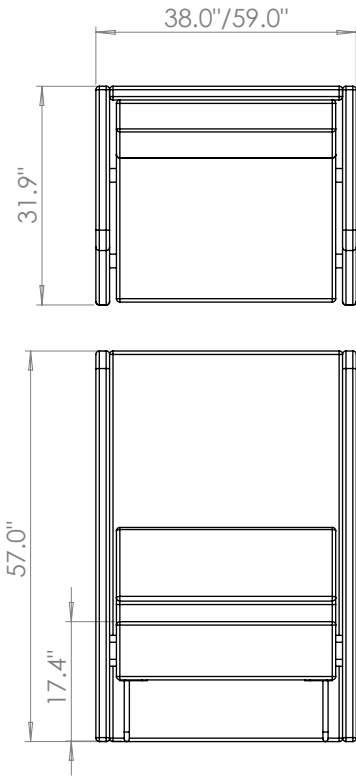
MOORECO INC.

2885 Lorraine Avenue | Temple, TX 76501

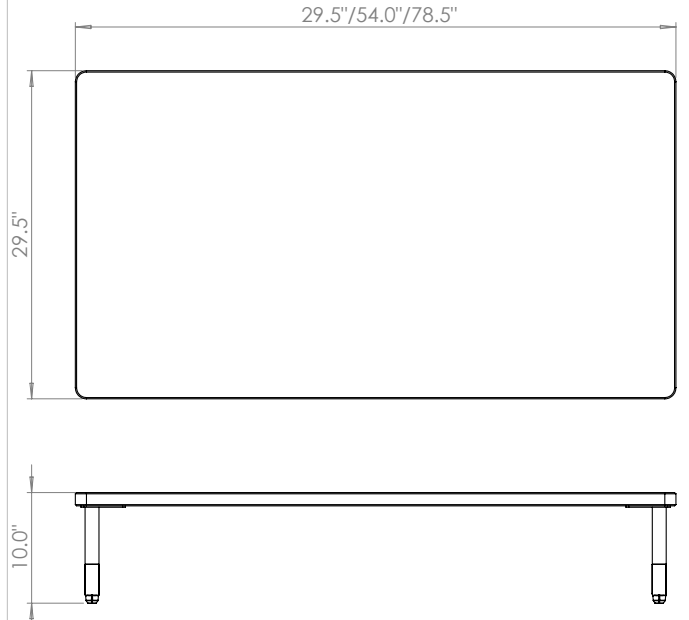
p: 800.749.2258 | f: 866.888.7483

www.moorecoinc.com

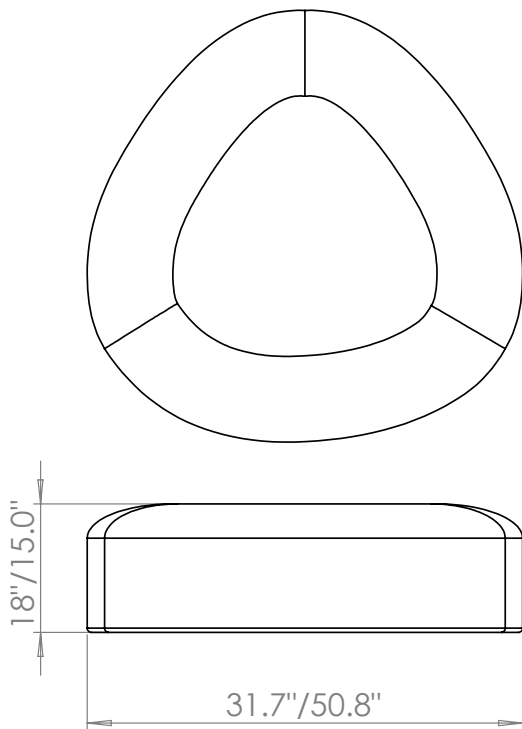
HIGH BACK LOUNGE



SINGLE/LOVESEAT/SOFA TABLE



SMALL/LARGE OTTOMAN



MOORECO[™]

MOORECO INC.

2885 Lorraine Avenue | Temple, TX 76501

p: 800.749.2258 | f: 866.888.7483

www.moorecoinc.com

DIMENSIONS:

Base Model No.	Description	Height – Seat "	Height – Frame "	Width – Frame "	Depth – Frame "
AK-AL-292918-XX-XXXX	ARMLESS LOUNGE	17.1"	31.0"	29.5"	29.5"
AK-AL-295418-XX-XXXX	ARMLESS LOVESEAT	17.1"	31.0"	54.0"	29.5"
AK-AL-297818-XX-XXXX	ARMLESS SOFA	17.1"	31.0"	78.5"	29.5"
AK-LO-293818-XX-XXXX	LOUNGE WITH ARMS	17.1"	31.0"	38.0"	29.5"
AK-LO-296618-XX-XXXX	LOVESEAT WITH ARMS	17.1"	31.0"	62.5"	29.5"
AK-LO-298718-XX-XXXX	SOFA WITH ARMS	17.1"	31.0"	87.0"	29.5"
AK-CO-292918-XX-XXXX	CORNER LOUNGE	17.1"	31.0"	29.5"	29.5"
AK-BN-292918-XX-XXXX	SINGLE BENCH	17.1"	31.0"	29.5"	29.5"
AK-BN-292418-XX-XXXX	LOVESEAT BENCH	17.1"	31.0"	54.0"	29.5"
AK-BN-297818-XX-XXXX	SOFA BENCH	17.1"	31.0"	78.5"	29.5"
AK-HB-293718-XX-XXXX	1.5 H BACK LOUNGE	17.4"	57.0"	38.0"	31.9"
AK-HB-295918-XX-XXXX	2.5 H BACK LOUNGE	17.4"	57.0"	59.0"	31.9"
AK-TB-292910-XX-XXXX	SINGLE TABLE	-	10.0"	29.5"	29.5"
AK-TB-295410-XX-XXXX	LOVESEAT TABLE	-	10.0"	54.0"	29.5"
AK-TB-297810-XX-XXXX	SOFA TABLE	-	10.0"	78.5"	29.5"
AK-OT-313118-XX-XXXX	SMALL OTTOMAN	18.0"	-	31.7"	31.7"
AK-OT-505015-XX-XXXX	LARGE OTTOMAN	15.0"	-	50.8"	50.8"



MOORECO INC.
 2885 Lorraine Avenue | Temple, TX 76501
 p: 800.749.2258 | f: 866.888.7483
www.moorecoinc.com