

Mobile Clear Divider

Model Numbers: 62541-CLEAR, 62506-CLEAR

OVERVIEW

Get clear protection for your office, school, and industrial spaces with Essentials Mobile Clear Divider.

PANEL

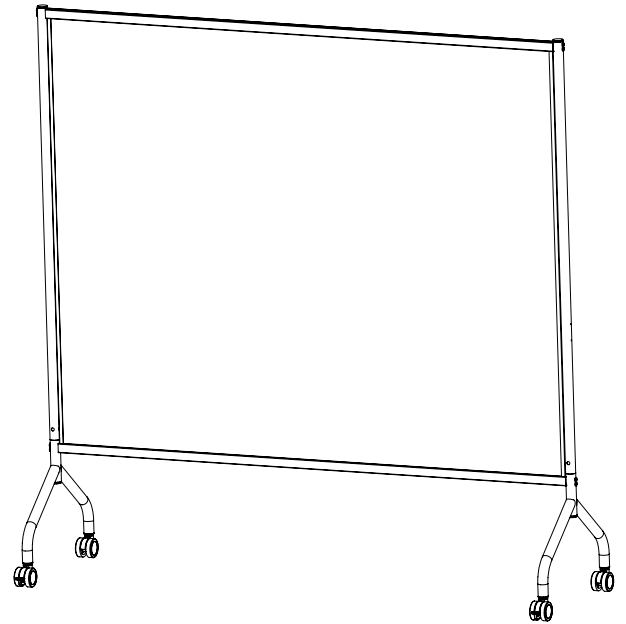
Panel is 5mm thick clear acrylic. Smaller panel measures 54"H x 38.5"W. Larger panel measures 54"H x 68"W.

FRAME

Panels are braced with platinum powder coated steel trim. Top and bottom trim pieces consist of 14 Gauge formed steel channels with protective plastic inserts and 3mm thick threaded blocks welded into both ends. The uprights are 32mm, 14 Gauge round steel tubing with 16 Gauge steel U-channels welded along inside edge to hold panels. Two M6 x 36mm screws insert from uprights into threaded blocks at each corner to secure joints and hold panel in place. Uprights insert into 32mm diameter, 14 gauge steel tube feet, fastening to each with two M6 x 12mm and two M6 x 35mm screws. Uprights receive plastic, press fit end caps.

CASTERS

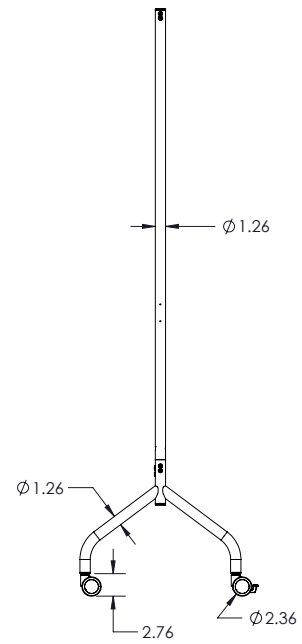
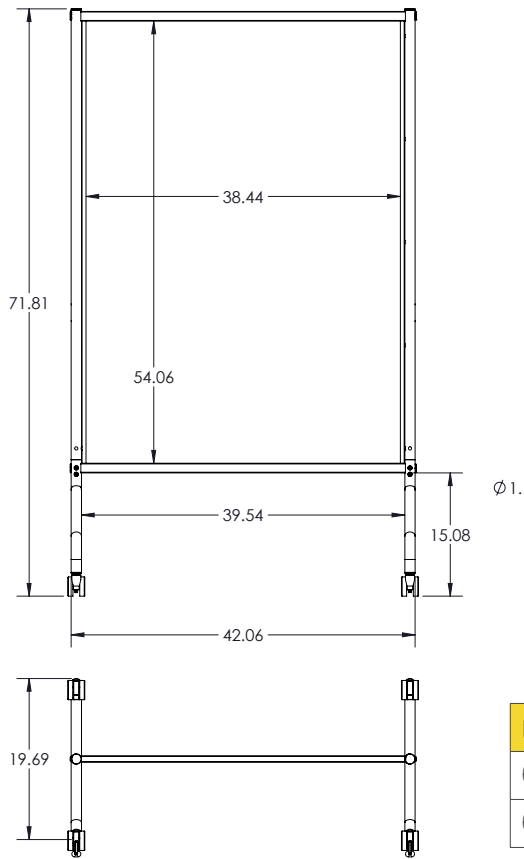
Dual-wheel, nylon casters are 60mm diameter with push in stems. Two casters are locking and two casters are non-locking.



OPTIONS/ACCESSORIES

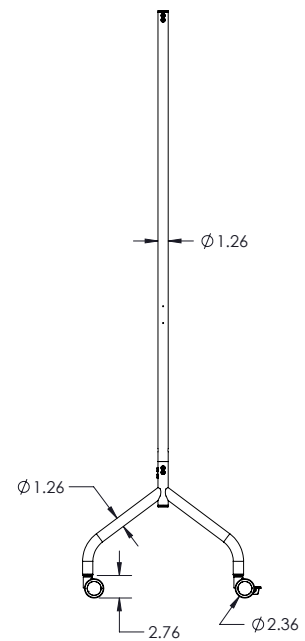
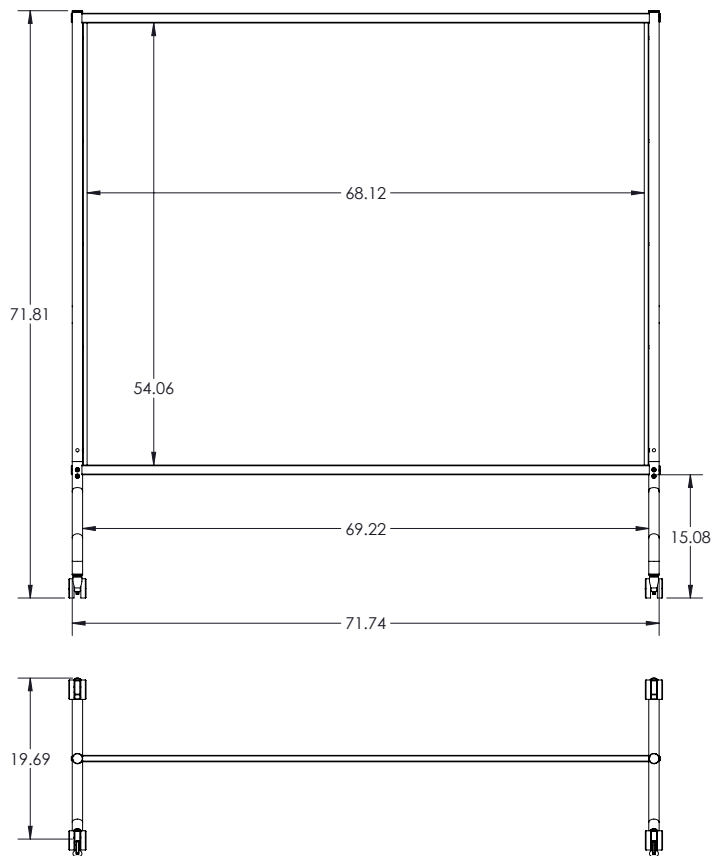
Sliding flip chart hooks included.

62541



Base Model No.	Description	Overall Dimensions
62541-CLEAR	Clear Panel (Standard)	71.8"H x 42"W x 21"D
62506-CLEAR	Clear Panel (Large)	71.8"H x 71.7"W x 21"D

62506



MOORECO INC.
 2885 Lorraine Avenue | Temple, TX 76501
 p: 800.749.2258 | f: 866.888.7483
www.moorecoinc.com