

## Frequency Tables - C Leg

### OVERVIEW

The Frequency Table is a durable table with many available sizes and customization options, ideal for commercial and educational settings.

### TOP

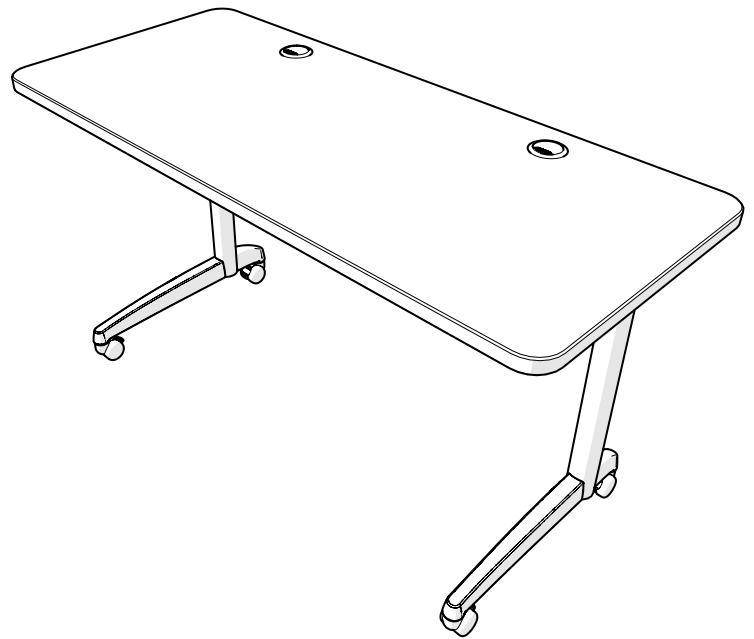
The top is made of 1 1/8" Particleboard Core with 3mm Flat Vinyl Edge. The work surface is constructed of 45# particleboard core with high pressure laminate (HPL) top surface and phenolic backer sheet for balanced construction. 1 1/8" 3mm flat vinyl is secured to the work surface with glue along the perimeter. Stretcher bars are standard on tops 60" long and longer.

### LEGS

The column is 2-1/4" OD x 13 Ga steel tubing, and is attached to two segments of a cast aluminum base using one 3/8"-16 x 1-5/8" bolt each. The mounting plate is welded to the top of the column and is made of a 6" x 8" x 6 Ga steel plate. The base is mounted using eight #10 screws. The base is 27-3/4" high and comes standard with glides attached by 3/8-16 x 3/4" stems. The base depth is dependent on table depth and ranges from 15-1/8" to 26-3/4".

### LAMINATE AND EDGE BAND

See attached material guide for all options.



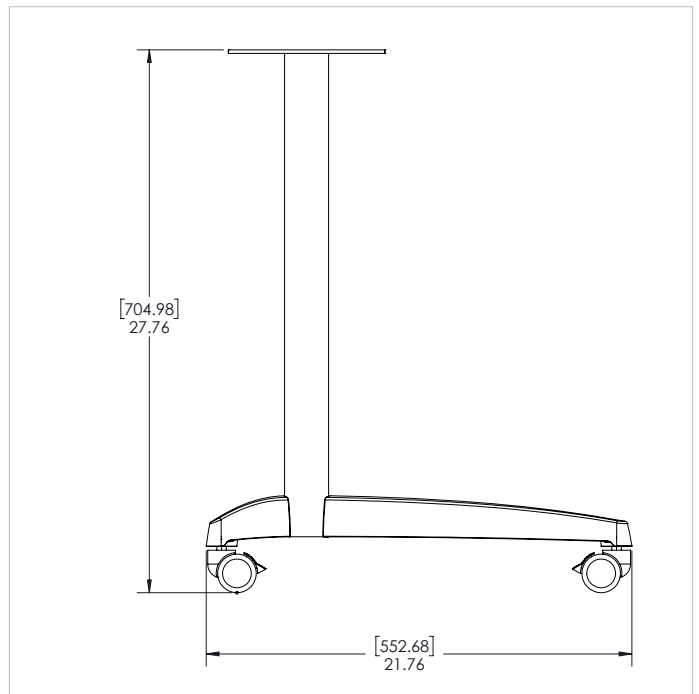
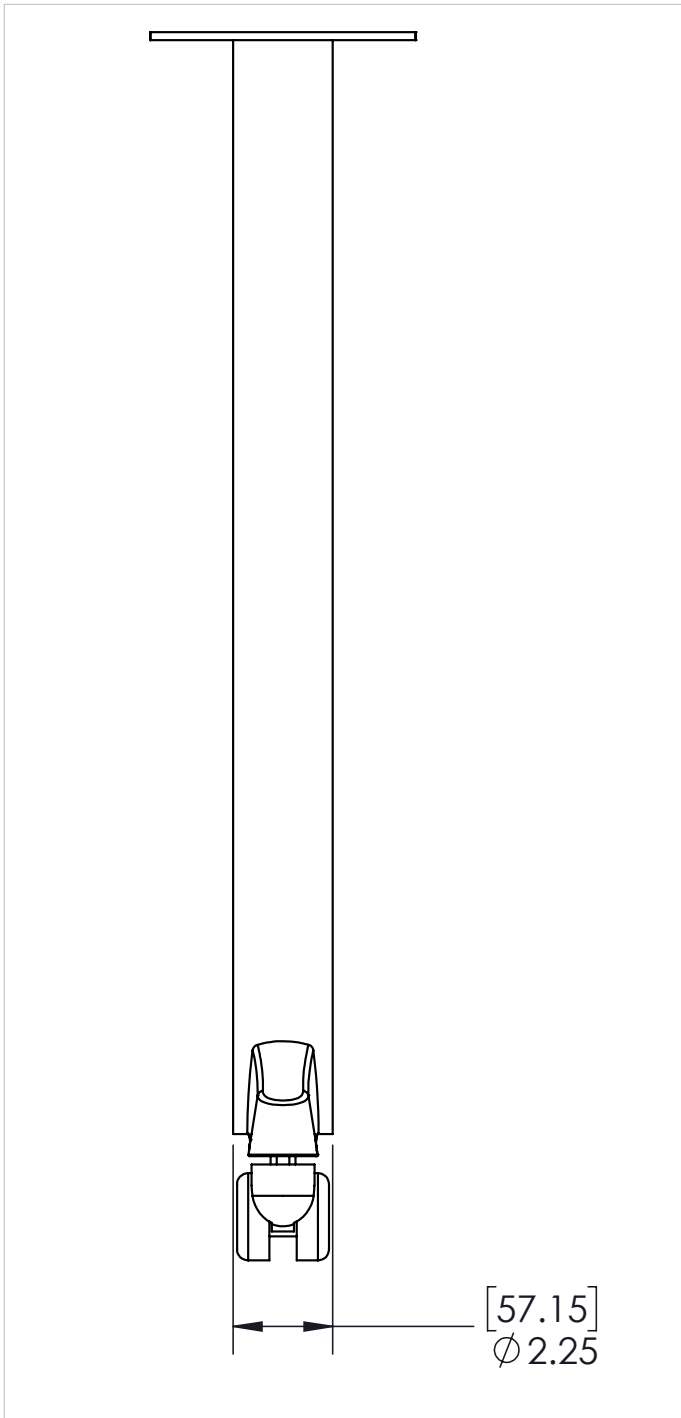
### OPTIONS / ACCESSORIES

Table Legs available with casters, glides, or a combination using extended glides.

Optional wire management holes.

Shorter or taller heights are available.

Adjustable height legs are available.



**DIMENSIONS:**

Description	Max Top Depth	A	B
Frequency C Leg - 5116	20"	27-3/4"	15-1/8"
Frequency C Leg - 5122	26"	27-3/4"	21-3/4"
Frequency C Leg - 5126	32"	27-3/4"	26-3/4"



MOORECO INC.  
 2885 Lorraine Avenue | Temple, TX 76501  
 p: 800.749.2258 | f: 866.888.7483  
[www.moorecoinc.com](http://www.moorecoinc.com)