

## Frequency Tables - Flipper

### OVERVIEW

The Frequency Table is a durable table with many available sizes and customization options, ideal for commercial and educational settings.

### TOP

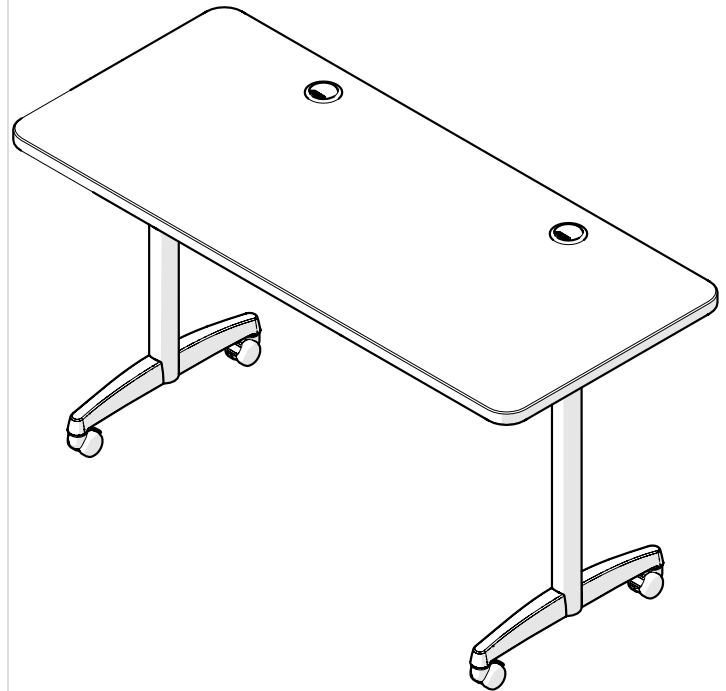
The top is made of 1 1/8" Particleboard Core with 3mm Flat Vinyl Edge. The work surface is constructed of 45# particleboard core with high pressure laminate (HPL) top surface and phenolic backer sheet for balanced construction. 1 1/8" 3mm flat vinyl is secured to the work surface with glue along the perimeter. Stretcher bars are standard on tops 60" long and longer.

### LEGS

The column is 2-1/4" OD x 13 Ga steel tubing, and is attached to two segments of a cast aluminum base using one 3/8"-16 x 1-5/8" bolt each. The base is 27-3/4" high and comes standard with glides attached by 3/8"-16 x 3/4" stems. The base depth is dependent on table depth and ranges from 15-1/4" to 38-1/4".

### FOLDING MECHANISM

The folding mechanism is made of injection molded plastic and aluminum and is attached to the table top with eight #10 screws. The handle release mounts on the underside of the table and is centered on the table length. A single handle releases both mechanisms simultaneously and locks in both the up and down positions.



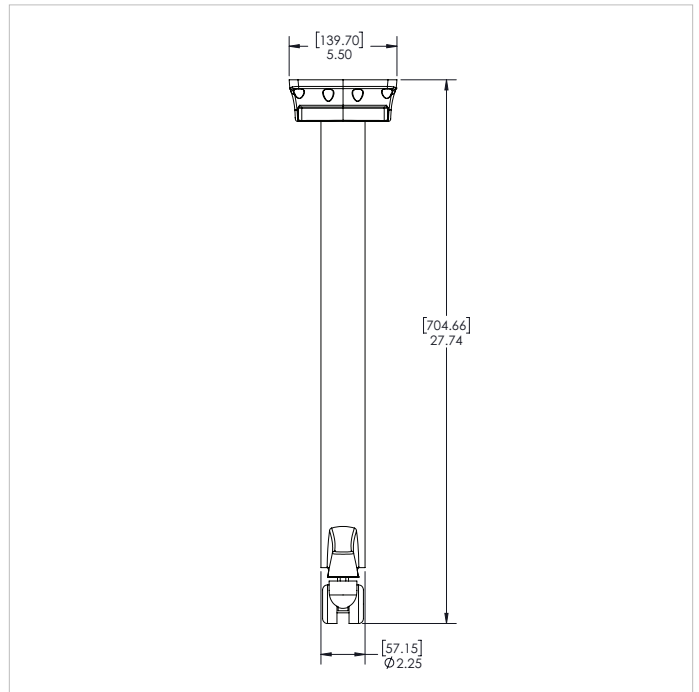
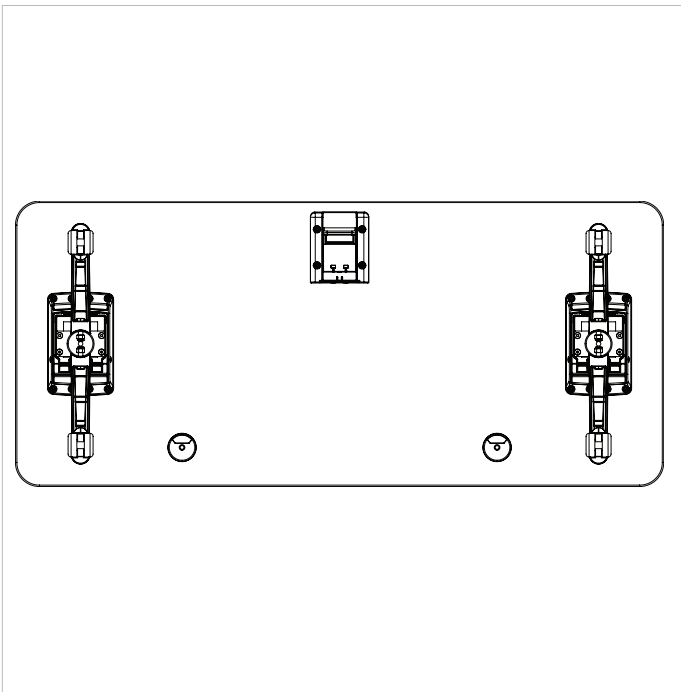
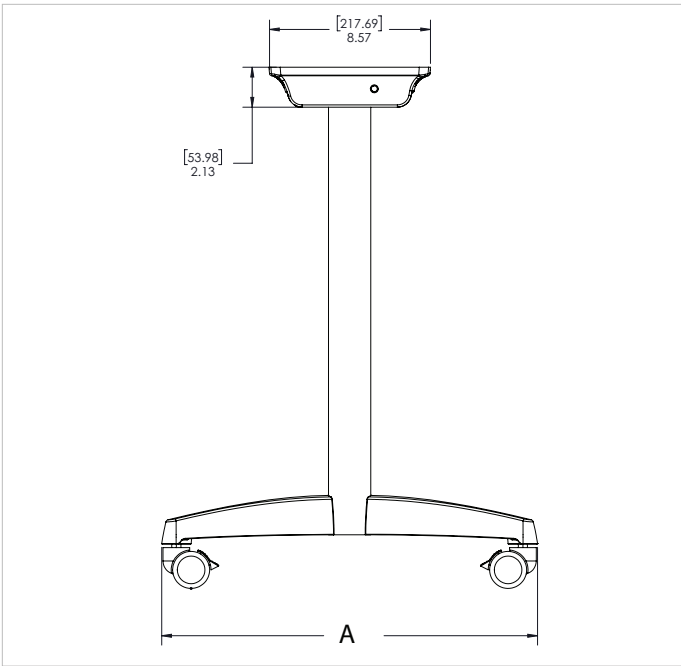
### OPTIONS / ACCESSORIES

Table Legs available with casters, glides, or a combination using extended glides.

Optional wire management holes.

Shorter or taller heights are available.

Adjustable height legs are available.



**DIMENSIONS:**

Description	Max Top Depth	A
Frequency Flipper - H5050	20"	15-1/4"
Frequency Flipper - H5054	26"	20"
Frequency Flipper - H5056	36"	26"



MOORECO INC.  
 2885 Lorraine Avenue | Temple, TX 76501  
 p: 800.749.2258 | f: 866.888.7483  
[www.moorecoinc.com](http://www.moorecoinc.com)