

## Tote Tray

Model No: 45131

### TOTE:

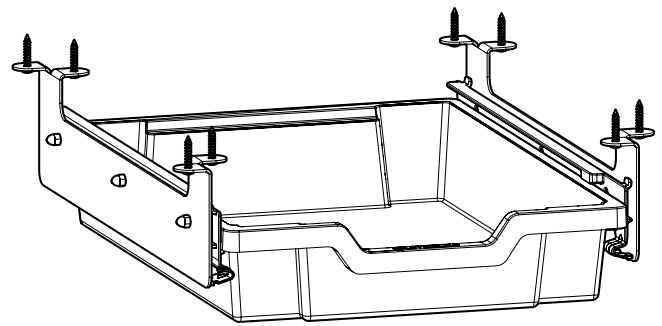
The 3" deep tote is made of clear polypropylene and functions with the Compass Cabinets

### BRACKETS AND RAILS:

The two (2) black brackets are made out of 14 gauge steel with a recess to accommodate a 1.25" stretcher bar. Included are six (6) M5 x 0.8mm screws and six (6) M5 steel acorn nuts to attach the bracket to the rails. The two (2) rails are made of PC/ABS plastic. The tray slides into the two rails with ease for a convenient storage area.

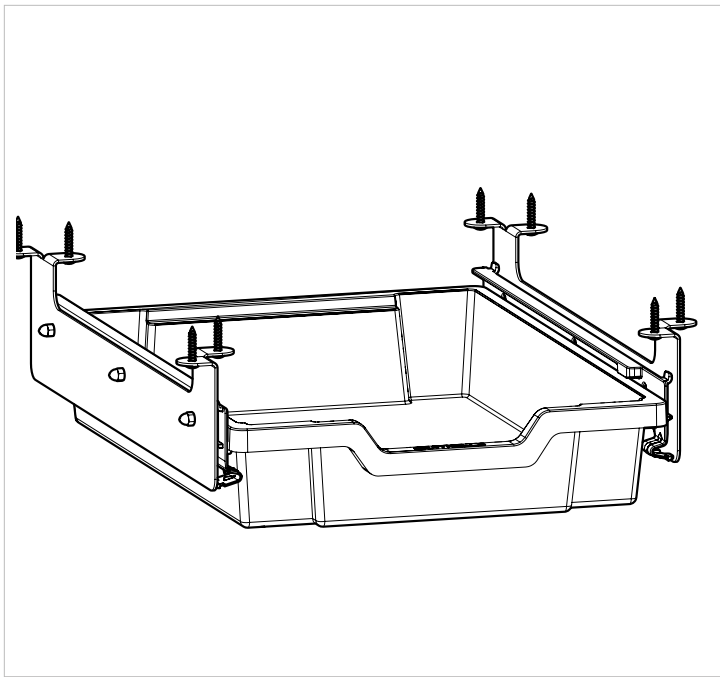
### HARDWARE:

Included are six (6) #10 x 1" screws to secure the brackets to the underside of a table or desk.

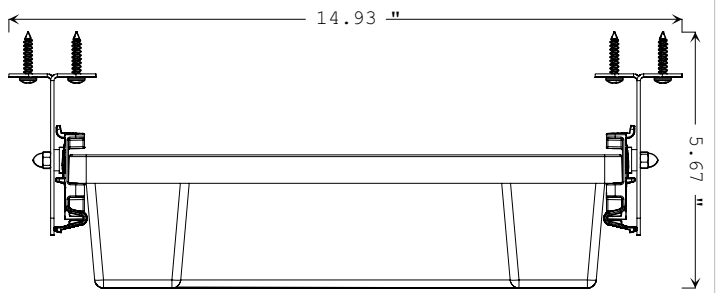


### COMPLIANCE:

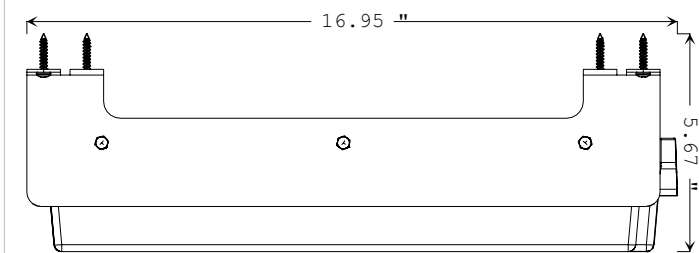
SCS Indoor Advantage Gold certified.



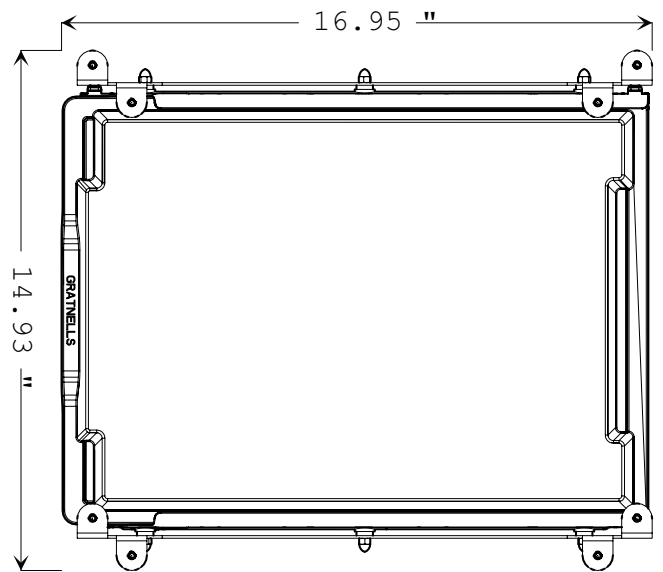
FRONT



SIDE



TOP



**DIMENSIONS:**

Base Model No.	Height "	Depth of tray "	Overall Length "	Overall Width "
45131	5.67"	2.87"	16.95"	14.93"