

Student Desk Pack Hook

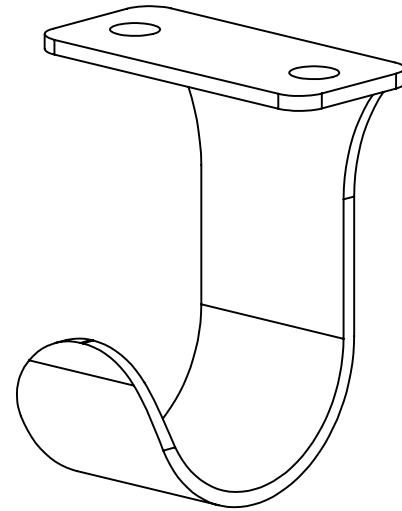
Model No: 66669

CONSTRUCTION:

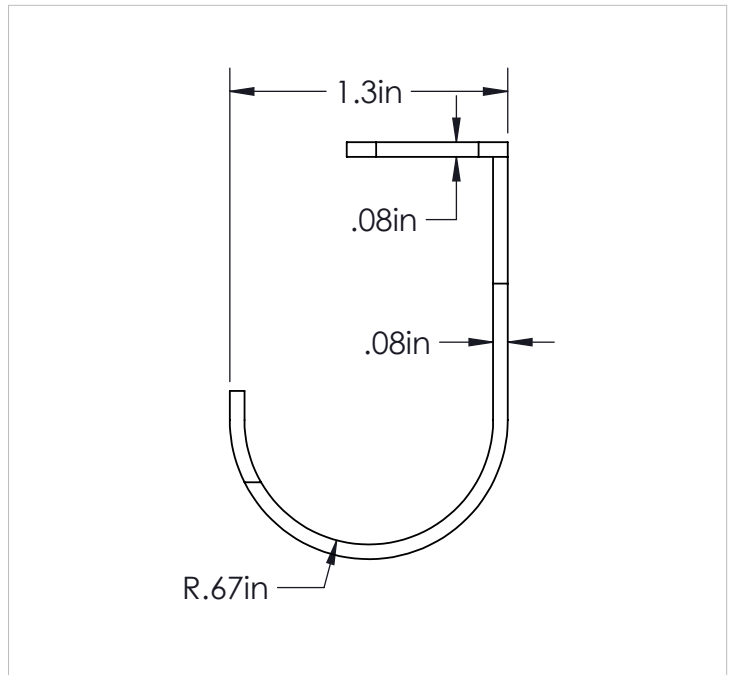
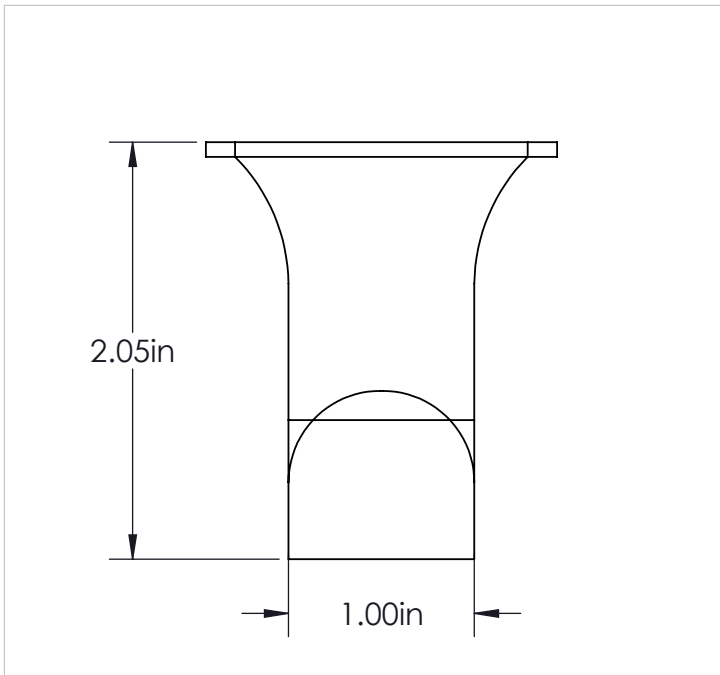
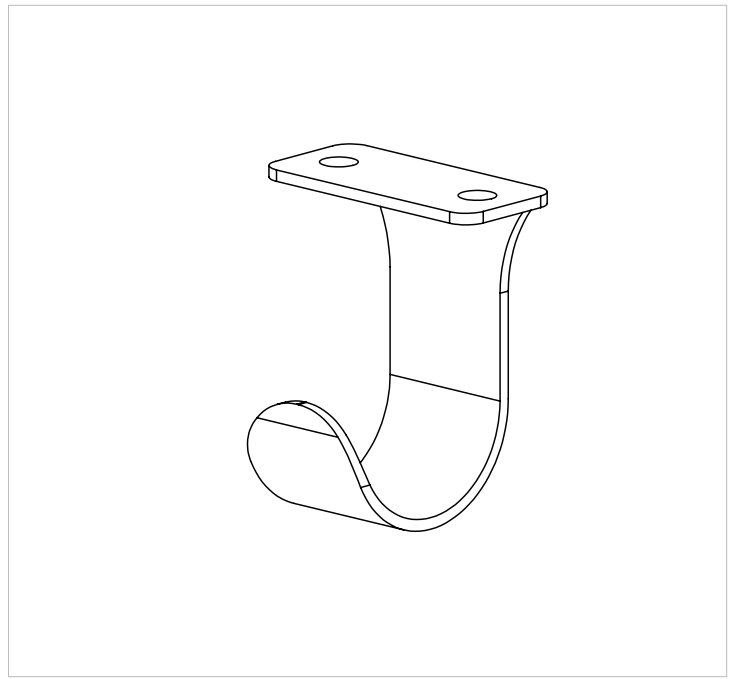
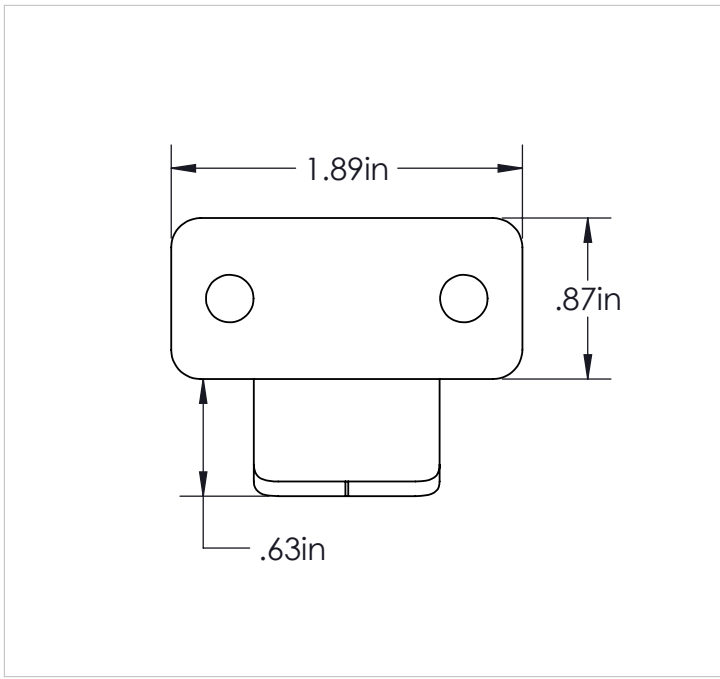
Hook is single piece 14 gauge steel with black powdercoat. Hook is rated up to 50 lbs for hanging storage.

HARDWARE:

Hook mounts directly to underside of any 1 1/8" top with two #10 x 1" wood screws.

**COMPLIANCE:**

SCS Indoor Advantage Gold certified.



DIMENSIONS:

Base Model No.	Description	Height	Width	Depth
66669	Student Desk Pack Hook (Set of 2)	2.05"	1.89"	1.3"



MOORECO[™]

MOORECO INC.
 2885 Lorraine Avenue | Temple, TX 76501
 p: 800.749.2258 | f: 866.888.7483
www.moorecoinc.com