

Seed Cantilever Stool

Product No: SG.SD.S.24.6XX.7XX.PL, SG.SD.S.29.6XX.7XX.PL

SHELL

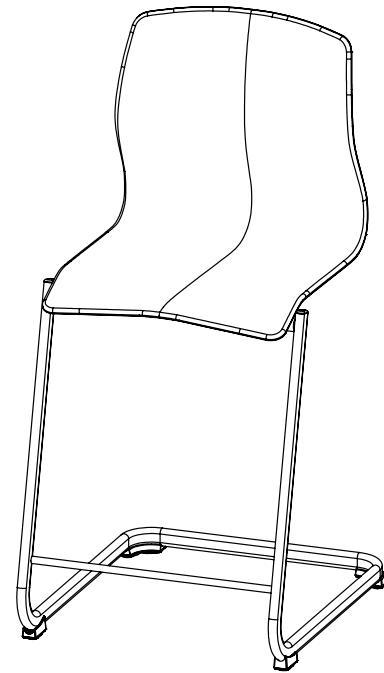
Seat is designed as a single-piece injection-molded shell of polypropylene with integrated attachment features including a structural front hook, rear snaps, and screw bosses.

FRAME

Cantilever V-frame base is constructed of a single 1.2" x 0.6" flat oval 12 ga steel tube with a 0.5" diameter 16 ga steel tube crossbar. The top of the base uprights are welded to a 1" diameter round 16 ga steel tube which is itself welded to two other pieces of the same sized tubing and one 0.75" diameter tube running parallel. Between these pieces is a welded 12 ga steel bracket. The shell hooks beneath its front to the 0.75" tube and uses integrated snaps to attach to the bracket in the back with two built-in clips. The bracket is also screwed into the shell with four #10 x 5/8" plastite screws. Poly shell chairs are rated for use up to 250lbs. Frame is available in three powder coat finish options.

GLIDES

Glides at the bottom corners of the frame are 100% nylon and attached to the steel tubing with one rivet each. Glides also feature replaceable nylon glide inserts.

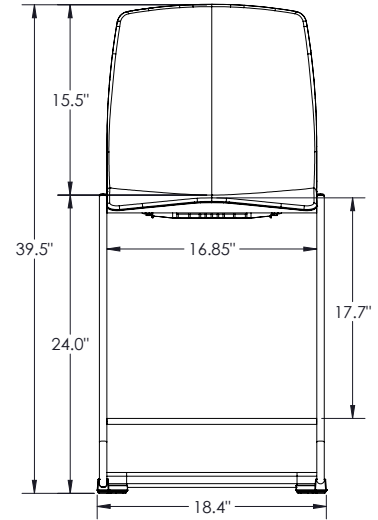
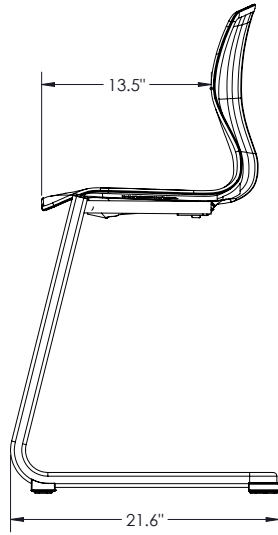


COMPLIANCE

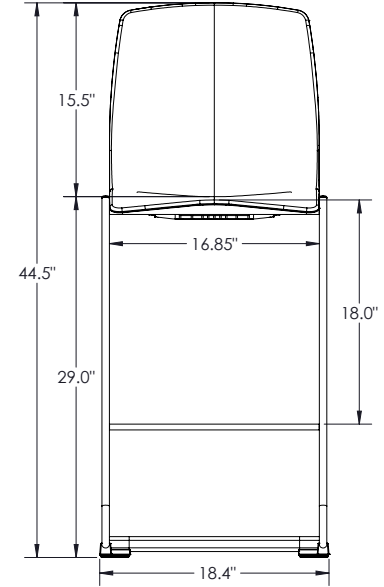
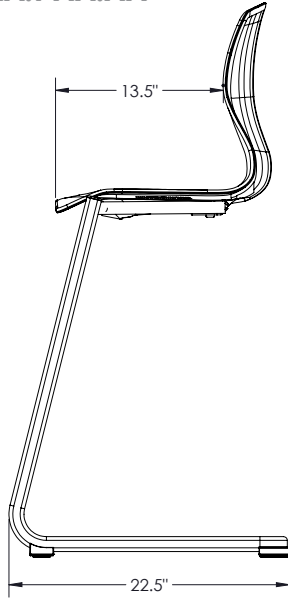
SCS Indoor Advantage Gold certified.

Meets or exceeds BIFMA testing.

SG.SD.S.24.6XX.7XX.XX



SG.SD.S.29.6XX.7XX.XX



DIMENSIONS:

| Base Model No. | Description | Seat Height | Overall Depth | Overall Width |
|----------------------|-------------------------------|-------------|---------------|---------------|
| SG.SD.S.246XX.7XX.PL | Seed - Cantilever Stool - 24" | 24" | 21.6" | 18.4" |
| SG.SD.S.296XX.7XX.PL | Seed - Cantilever Stool - 29" | 29" | 22.5" | 18.4" |



MOORECO[™]

MOORECO INC.
 2885 Lorraine Avenue | Temple, TX 76501
 p: 800.749.2258 | f: 866.888.7483
www.moorecoinc.com