

5 Star Chair and Stool

Part Numbers: 56580HC-XXXX, 56580SC-XXXX, 56580GL-XXXX,
56582HC-XXXX, 56582SC-XXXX, 56582GL-XXXX

SEAT AND BACK:

Chair seat and back are comprised entirely of injection molded polypropylene. The wire frame is made out of 0.44 thick tubing and powder coated platinum.

CONTROL SPECIFICATIONS:

A pneumatic adjustable cylinder assembly is set into the base and attached together using M6 Screws. The chair has a tilt mechanism while the stool does not.

CYLINDER SPECIFICATIONS:

The chair version comes with a 300N black painted cylinder that adjusts the chair's seat from 17" to 22". The stool version come with a 300N black painted cylinder that adjusts the chair's seat from 23.5" to 30.5". The cylinder is made out of 14 gauge steel.

BASE:

5-Star base is made of reinforced nylon and receives the adjustable column assembly and casters.

GLIDES/CASTERS:

Chair has five casters; a choice between nylon dual-wheel hard casters or urethane thread nylon soft casters. The chair can come with five nylon glides.



ACCESSORIES:

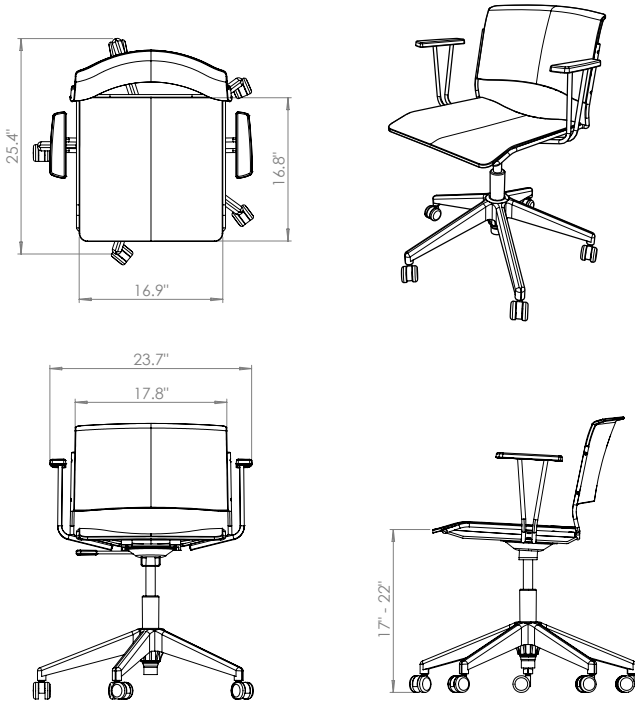
An option to order are two wire frame arms attached to the seat. The arm rests are made out of injection molded polypropylene.

COMPLIANCE:

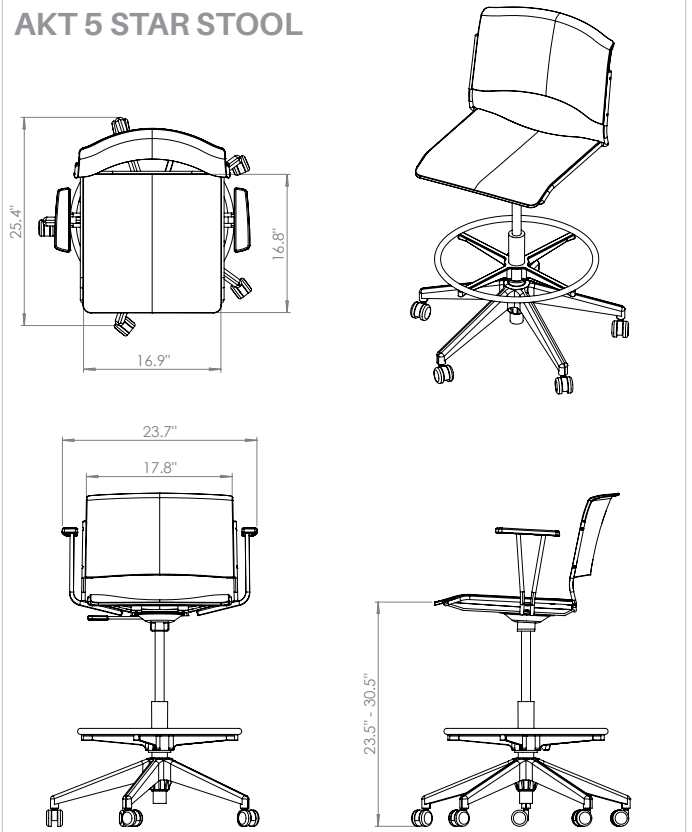
Indoor Gold Advantage certified.

Meets or exceeds BIFMA testing.

AKT 5 STAR CHAIR



AKT 5 STAR STOOL



DIMENSIONS:

Base Model No.	Description	Height - Seat "	Width - Seat "	Depth - Seat "	Width - Frame "	Depth - Frame "
56580HC-XXXX	AKT Chair - Hard Casters	17" - 22"	16.9"	16.8"	25.4"	25.4"
56580SC-XXXX	AKT Chair - Soft Casters	17" - 22"	16.9"	16.8"	25.4"	25.4"
56580GL-XXXX	AKT Chair - Glides	17" - 22"	16.9"	16.8"	25.4"	25.4"
56582HC-XXXX	AKT Stool - Hard Casters	23.5" - 30.5"	16.9"	16.8"	25.4"	25.4"
56582SC-XXXX	AKT Stool - Soft Casters	23.5" - 30.5"	16.9"	16.8"	25.4"	25.4"
56582GL-XXXX	AKT Stool - Glides	23.5" - 30.5"	16.9"	16.8"	25.4"	25.4"



MOORECO INC.
 2885 Lorraine Avenue | Temple, TX 76501
 p: 800.749.2258 | f: 866.888.7483
www.moorecoinc.com