

## Lapboard and Accessories

Model Numbers: 70501 - Lapboard  
70502, 70503, 70504, 70505, 70506, 70507 - Accessories

### OVERVIEW

The porcelain lapboard and accessories make markerboards as mobile as the students using them with convenient handling and storage options.

### LAPBOARD

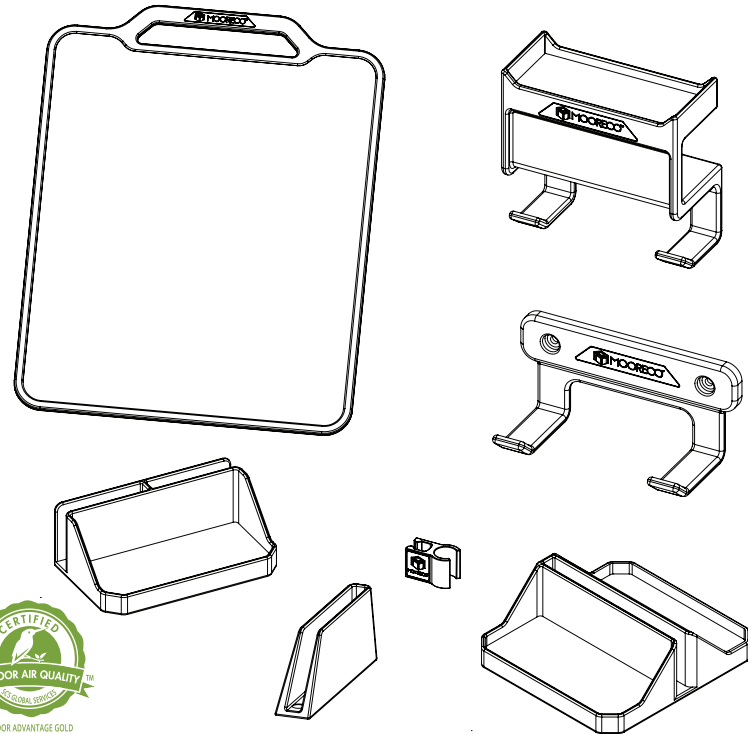
Boards are double sided white porcelain steel with an injection molded plastic edge that is a blend of polypropylene and thermoplastic rubber. Edge color is Hierarchy Cool Grey with graphite logo. Each lapboard is 1/2" MDF and weighs approximately 5 pounds.

### DOCKS AND TRAYS

Three different dock styles are available for use with lapboards. Docks are able to hold one to two boards horizontally or upright in 1/2" docking channels. Docks are injection molded with 0.25" or thicker plastic (nylon/glass composite) and optionally include marker trays with 3 mm black foam rubber inserts. Bottom of each dock has double sided tape as well as three holes for M5 x 25mm wood screws that are secured directly to table top surface. Colors are all cool grey with graphite MooreCo logo.

### HOOK HANGERS

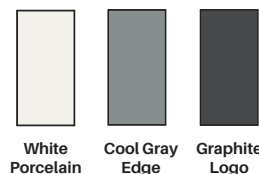
For multiple board storage, 0.25" thick nylon/glass plastic hook hangers are able to hold up to three lapboards at a time. Hanger accessories available for permanent mounting to wall or cabinet (two M6 x 16mm screws with nylon nut and washer for cabinet) as well as relocatable clamp mounts that can be fit to edges of work surfaces ranging in thickness from 0.75" to 1.75". Clamp mounts use two adjustable M6 screws (20, 35, and 45mm screw lengths provided for varying table thicknesses) with 20mm diameter neoprene pads to secure to underside of table opposite a tacky rubber bottom surface to resist sliding. Clamp mounts include a marker tray with foam insert and come in cool grey with graphite MooreCo logo.



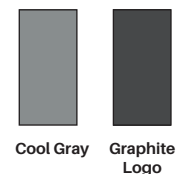
### OPTIONS/ACCESSORIES

In addition to docks, hangers, and trays, marker clips are also available. Clips attach to edge of lapboard and hold one dry erase marker of standard thickness.

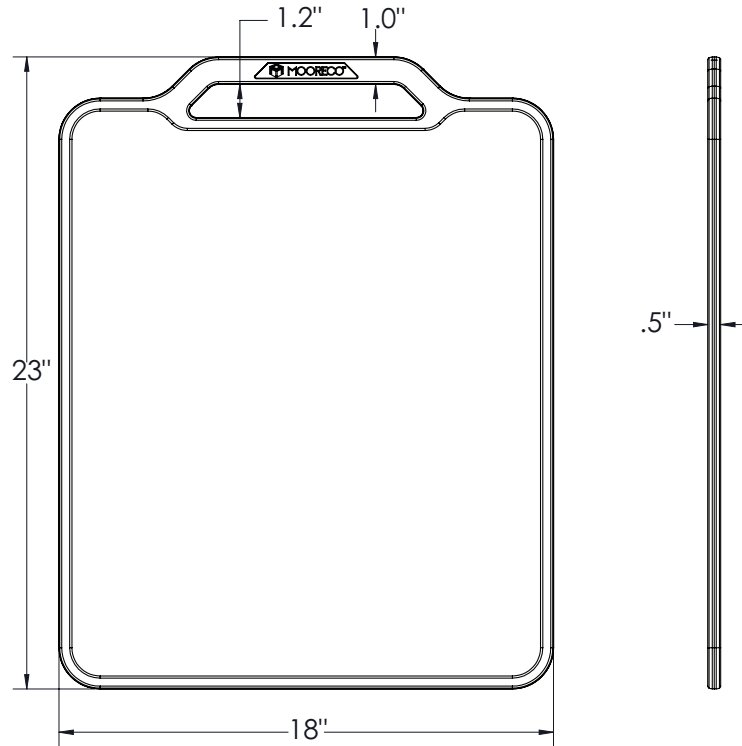
#### LAPBOARD:



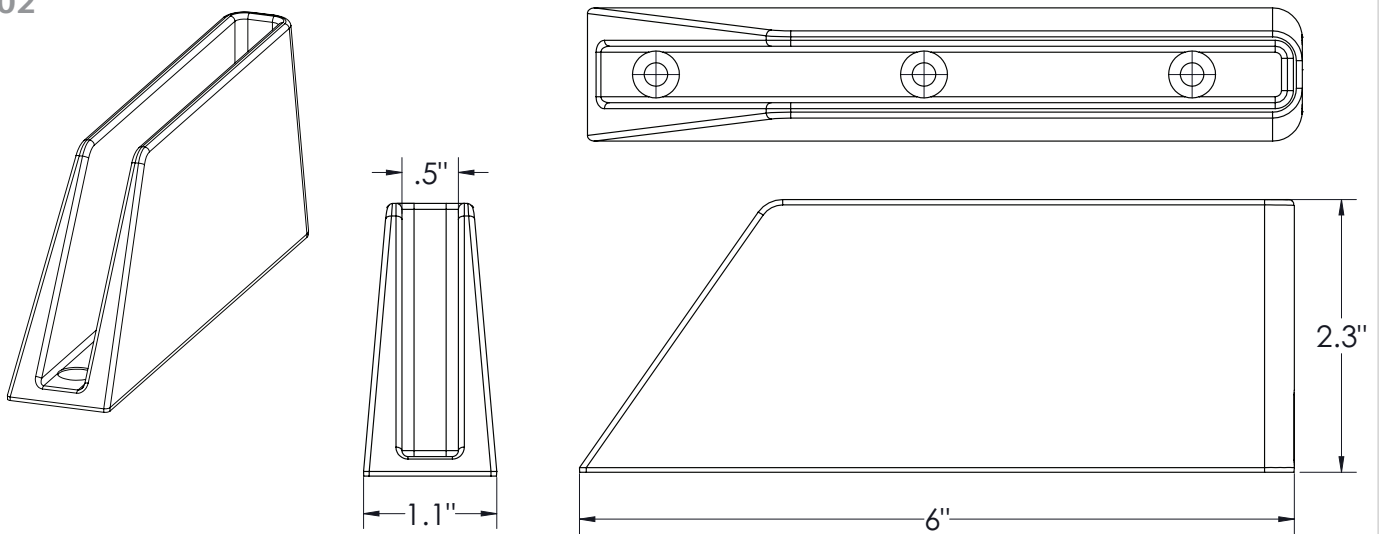
#### ACCESSORIES:



70501



70502

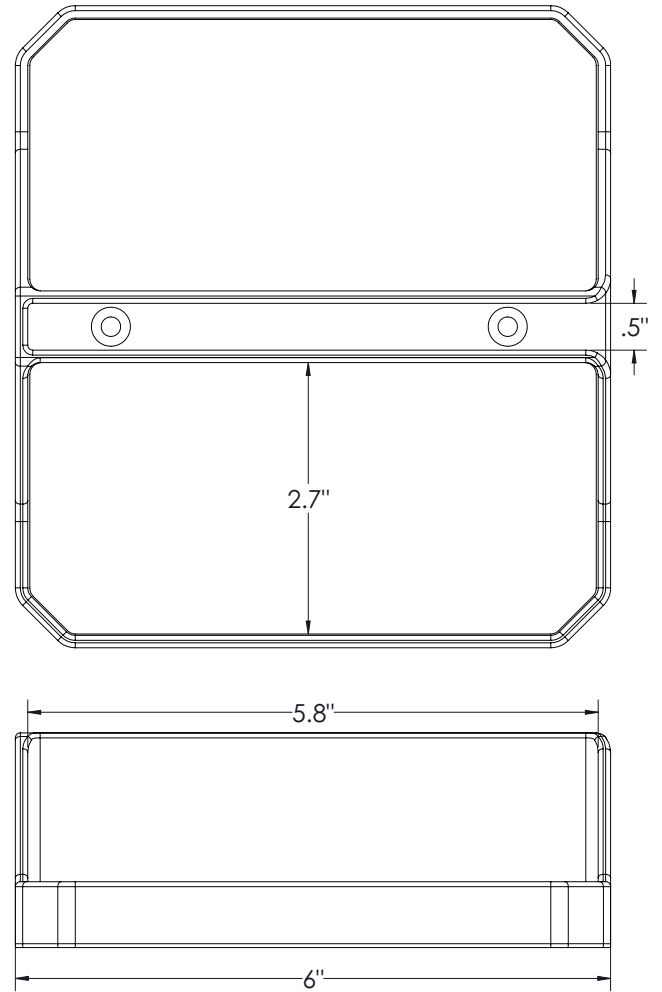
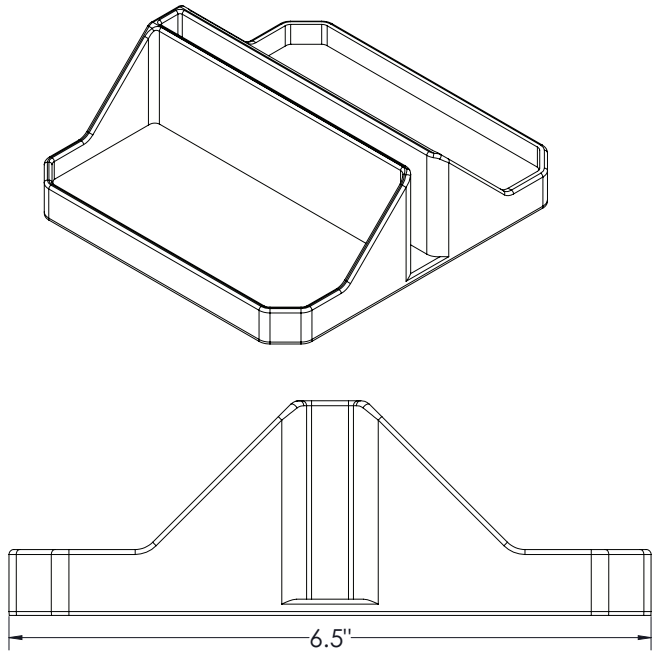


**ACCESSORY/OPTIONS**

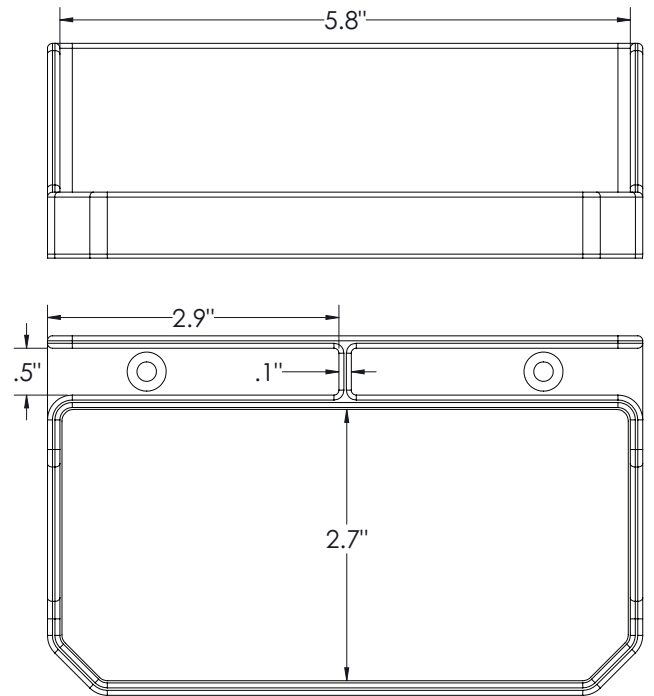
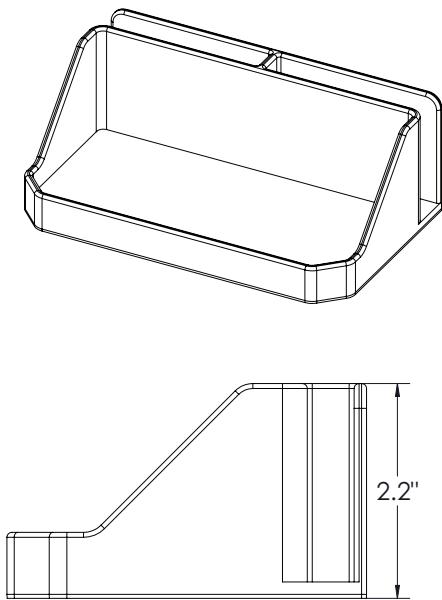
Base Model No.	Description
70501	Porcelain Lapboard
70502	Docking Channel
70503	Single Docking Channel and Double Marker Tray
70504	Double Docking Channel and Marker Tray
70505	Wall Mount
70506	Marker Clip
70507	Clamp Mount



70503



70504



MOORECO™

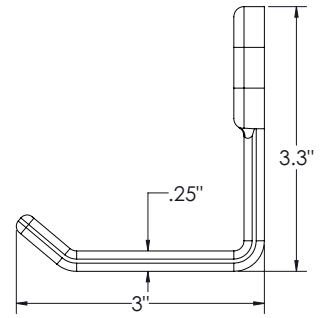
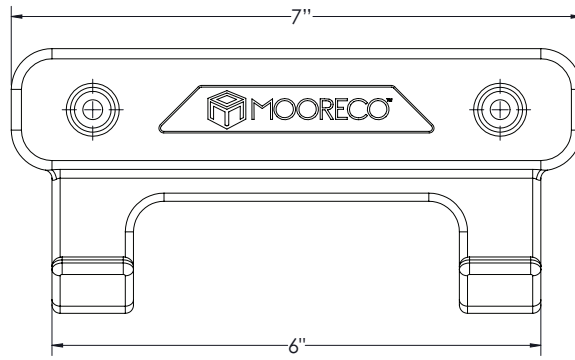
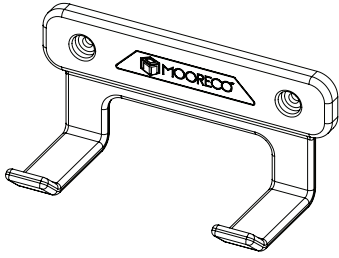
MOORECO INC.

2885 Lorraine Avenue | Temple, TX 76501

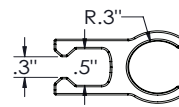
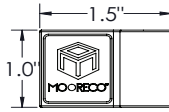
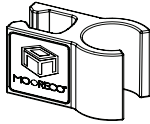
p: 800.749.2258 | f: 866.888.7483

[www.moorecoinc.com](http://www.moorecoinc.com)

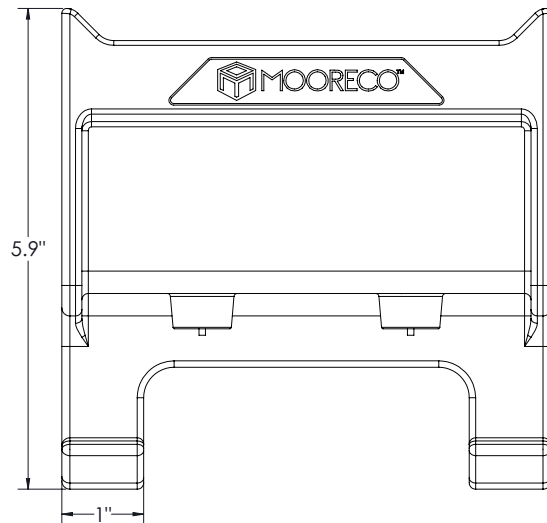
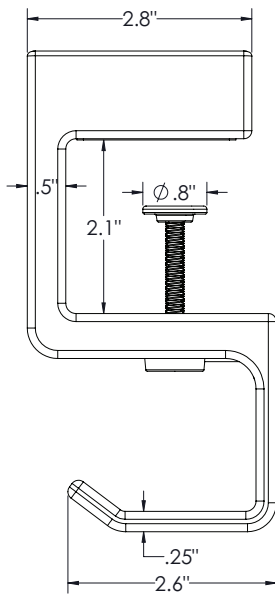
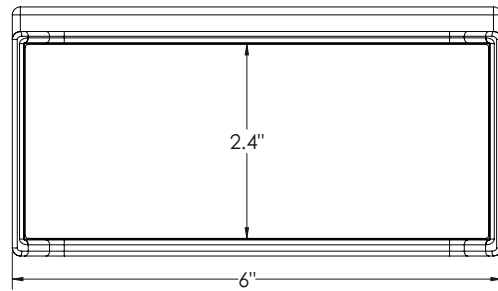
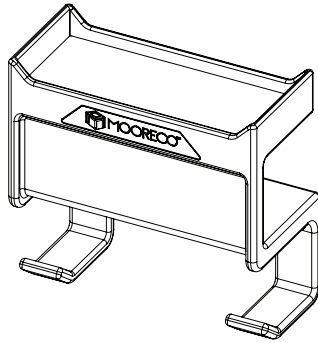
70505



70506



70507



MOORECO™

MOORECO INC.

2885 Lorraine Avenue | Temple, TX 76501

p: 800.749.2258 | f: 866.888.7483

[www.moorecoinc.com](http://www.moorecoinc.com)