

Hierarchy Gather Table

Part Number(s): 17XXFX-XXXX

TOP:

The top is made of 1 1/8" Particleboard Core with 3mm Flat Vinyl Edge. The work surface is constructed of 45# particleboard core with high-pressure laminate (HPL) top surface and phenolic backer sheet for balanced construction.

LEG (YOUTH & STANDARD HEIGHT):

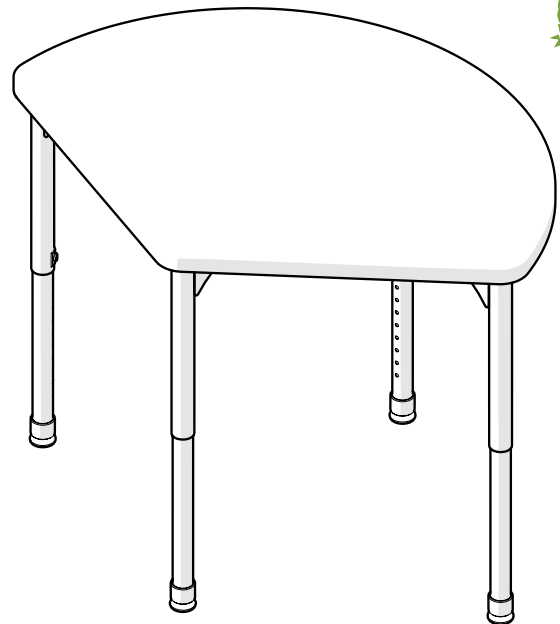
The 1.5" diameter 16 gauge powder coated leg receiver is welded to a 10 gauge steel top plate and two 11 gauge gussets for strength. Legs are directly mounted to the top with six #10 x 1" wood screws. The leg insert is a 34mm 16-gauge chrome plated steel tube with welded in threaded glide insert. Legs are standard with nylon glides that have 3/4" height adjustment range for leveling, and an 3/8"-16 threaded stem. 60mm wheel casters with a 3/8"-16 threaded stem are available for easy field installation in locking and non-locking. Casters add 2" of height to the desk.

LEG (STANDING HEIGHT):

The 1.75" diameter 14 gauge powder coated leg receiver is welded to a 9 gauge steel top plate and two 10 gauge gussets for strength. Legs are directly mounted to the top with nine #10 x 1" wood screws. The leg insert is a 40mm 16-gauge chrome plated steel tube with press fit plastic cap. Legs are standard with 3/8"-16 nylon glides. 60mm wheel casters with a 3/8"-16 threaded stem are available in locking and non-locking. Casters add 2" of height to the desk.

HEIGHT ADJUSTMENT:

Adjustment range is from 18"-29" in 1" increments for standard legs, 12"-18" for youth height legs, and 27 1/4" - 42 1/4" for the standing height leg option. One 3/8"-16 set screw with an allen drive are used to tighten the leg insert at the chosen height.



OPTIONS / ACCESSORIES:

All Hierarchy desk and table tops are available with a variety of laminate and edgeband options, as well as black or platinum legs.

Optional accessories include a pair of casters, backpack hook, ganging device and clamp mounted electrical unit. Book box compatibility may vary, based upon the desk top size and necessary leg clearances.

COMPLIANCE:

SCS Indoor Advantage Gold certified.

All Shapes Desks pass BIFMA table and leg static load tests as well as leg pull test requirements.

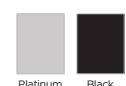
LAMINATE + MATCHING EDGE BAND:



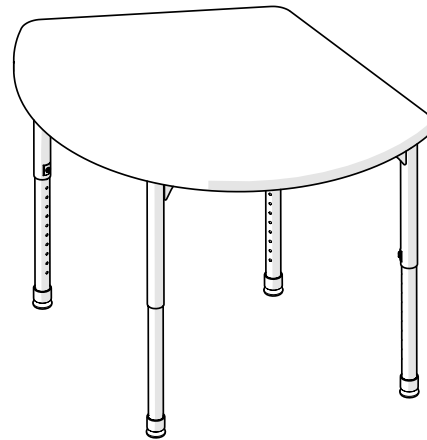
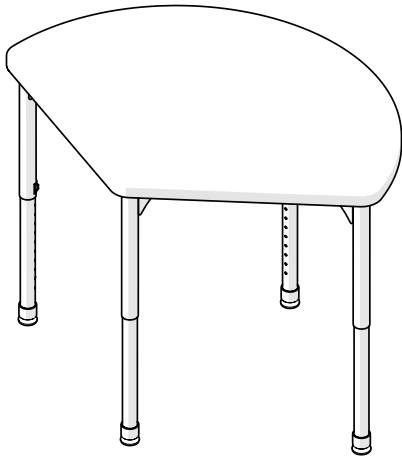
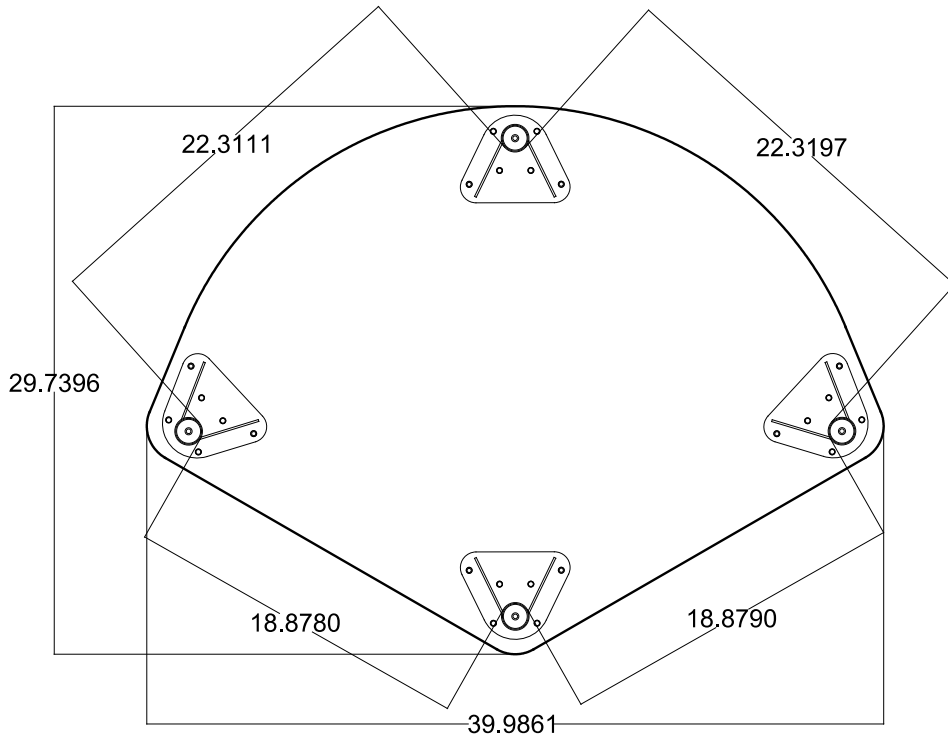
COLORLED EDGE BAND:



LEG COLOR:



HIERARCHY GATHER TABLE



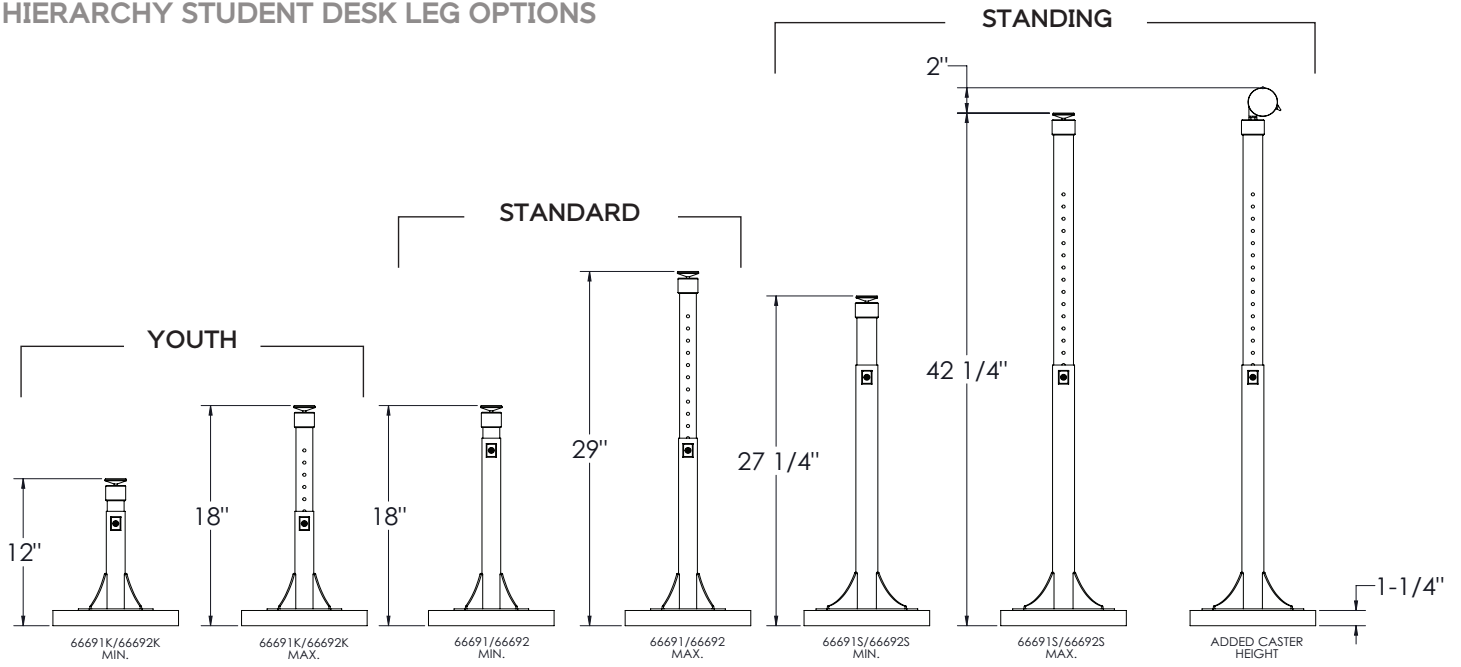
DIMENSIONS:

Base Model No.	Description	Height - Min. "	Height - Max. "	Overall Depth "	Overall Width "
17XXFX-XXXX	Hierarchy Gather Table	12", 22", 27 1/4" (youth, std, standing)	18", 32", 42 1/4" (youth, std, standing)	29.73"	39.98"

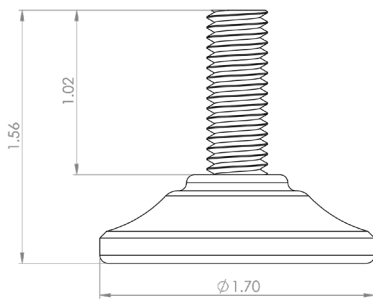
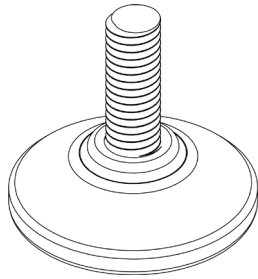


2885 Lorraine Avenue | Temple, TX 76501
 p: 800.749.2258 | f: 866.888.7483
www.moorecoinc.com

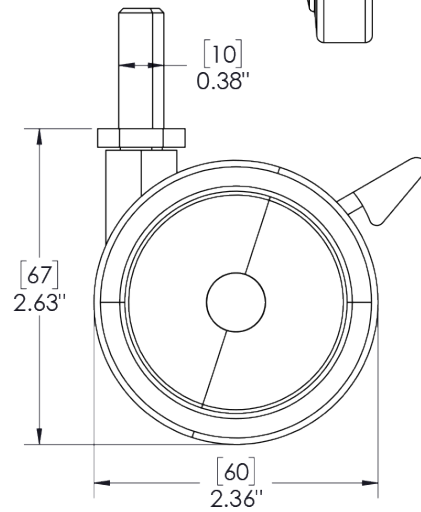
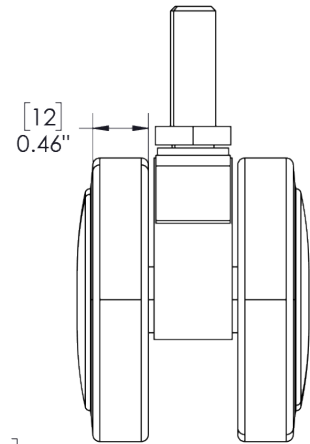
HIERARCHY STUDENT DESK LEG OPTIONS



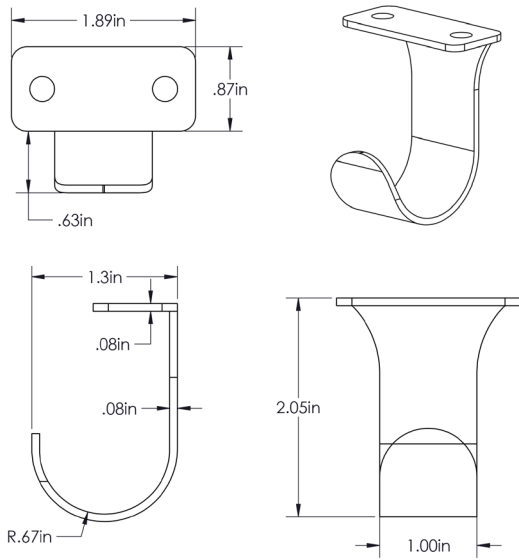
NYLON GLIDES (STANDARD)



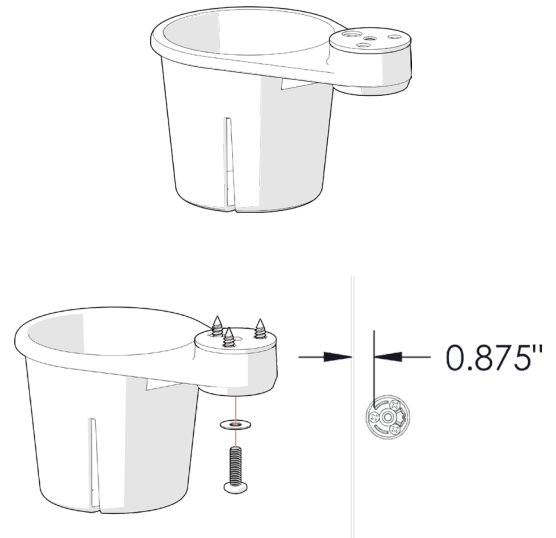
CASTER OPTION



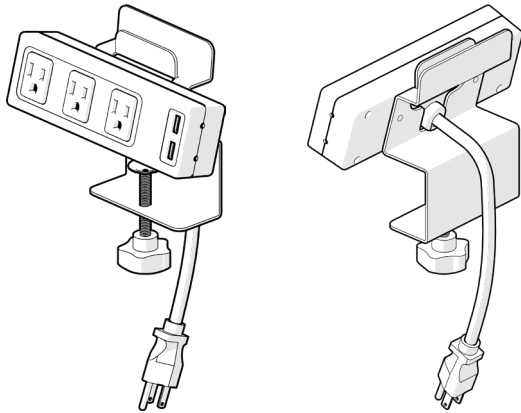
PACK HOOK



CUP HOLDER



CLAMP MOUNT OUTLET & USB CHARGER



ITEM	SPECIFICATION
USB Charging Ports	Two (2)
AC Outlets	Three (3)
Electrical Rating	12A (Derated from 15A due to UL 962A), 125V, 50/60Hz
EMI/RFI Noise Filtration	150kHz~100MHz up to 37dB reduction
USB Output	5V/2.1A max total
Listing	UL/cUL Listed
Power Cord	10' / 305cm

ACCESSORIES:

Base Model No.	Description
12934	Student Desk Casters
66669	Pack Hook (Set of 2)
59019	Student Desk Cup Holder
66675	Clamp Mount Outlet & USB Charger



2885 Lorraine Avenue | Temple, TX 76501
 p: 800.749.2258 | f: 866.888.7483
www.moorecoinc.com