

PHOEBY OUTDOOR
SOFT SEATINGPart Number(s): PBA0R1L0
Dimensions: 35"H x 30"W x 31"D

CHAIR WITH RIGHT ARM:

Introducing Phoeby, our new family of all-foam modular indoor/outdoor soft seating. This weather-resistant seating is drawn with artful shapes, creating a playful and functional place to sit and learn. Ergonomically curved silhouettes promote inclusiveness, while straight sections convey a sense of structure and order. A balanced aesthetic helps students to relax and focus, enhancing the overall ambiance of any outdoor learning space. Mix and match modules to accommodate the needs of different layouts. Outdoor-rated Phoeby is available with aluminum post legs, adapting to your preferred aesthetic. This flexible, durable, low-maintenance line provides a functional and inspiring environment for teaching and learning.

Choose from select outdoor-rated fabrics.

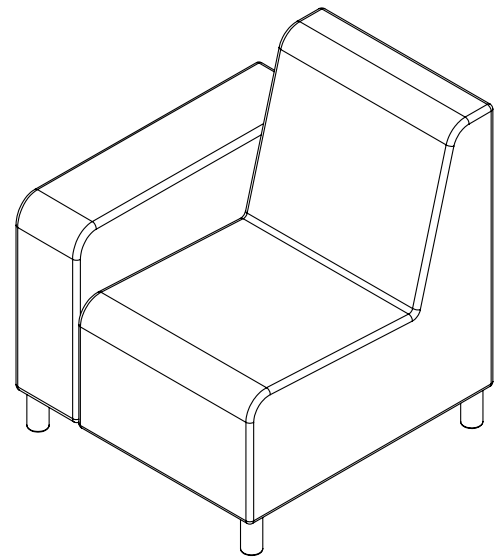
All pieces have an 18" seat height

3 year limited warranty on seating. Prop 65 and CAL 117-2013 compliant. 400 lb. capacity.

SCS Indoor Advantage Gold Certified.

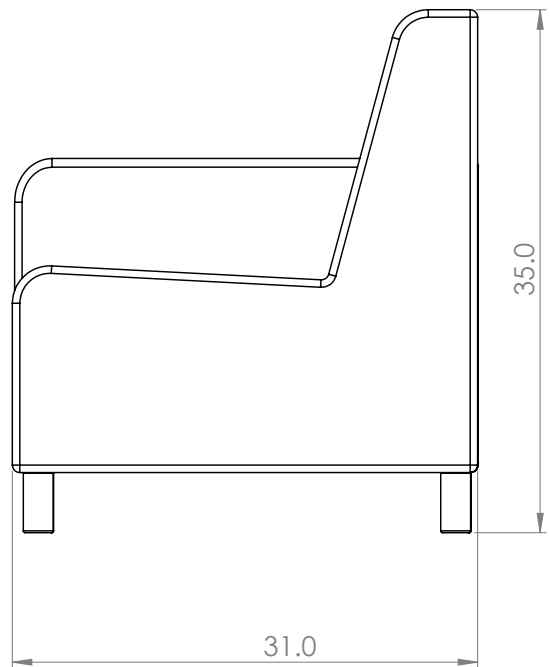
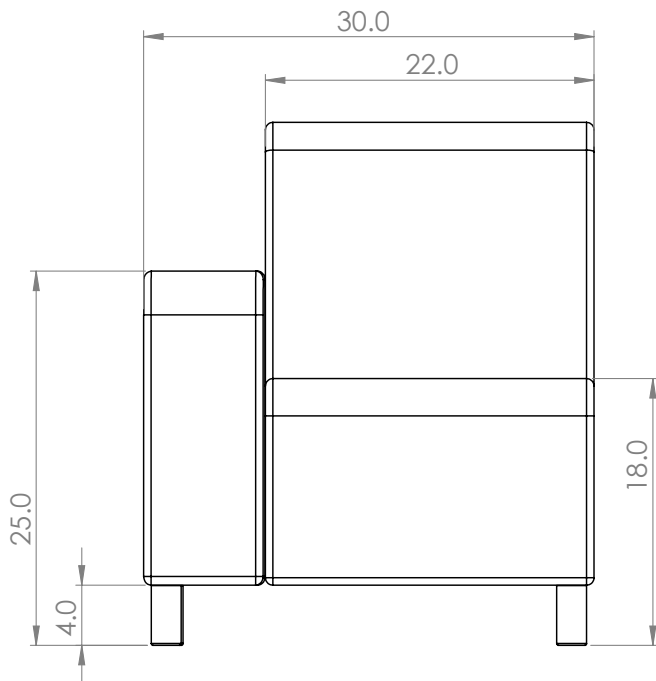
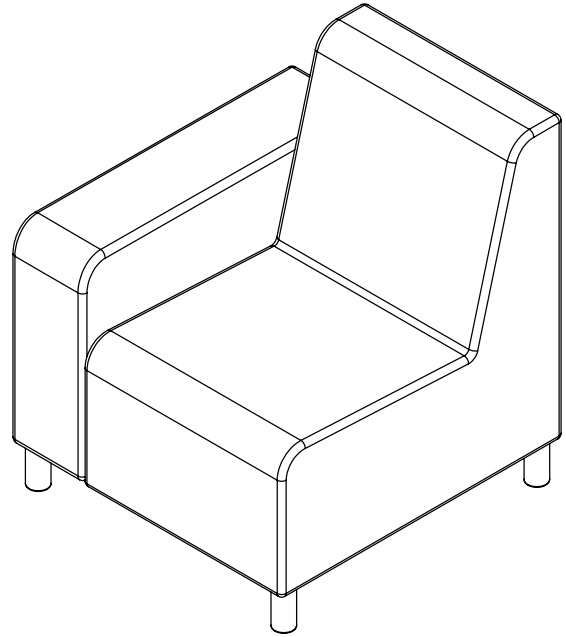
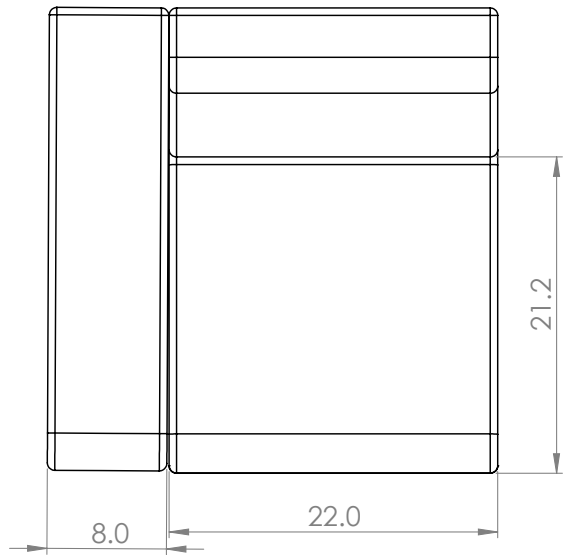
CONSTRUCTION:

- Outdoor rated ¾" plywood
- Stainless steel fasteners and staples
- Full moisture barrier protection
- Weather resistant stainless steel hardware
- Weather resistant aluminum legs
- Stainless steel ganging
- Matrex Sytex III Synthetic Webbing Suspension

FABRICS: SUNFIELD SOLUTION DYED
ACRYLIC AND SPRADLING SILVERTEX:

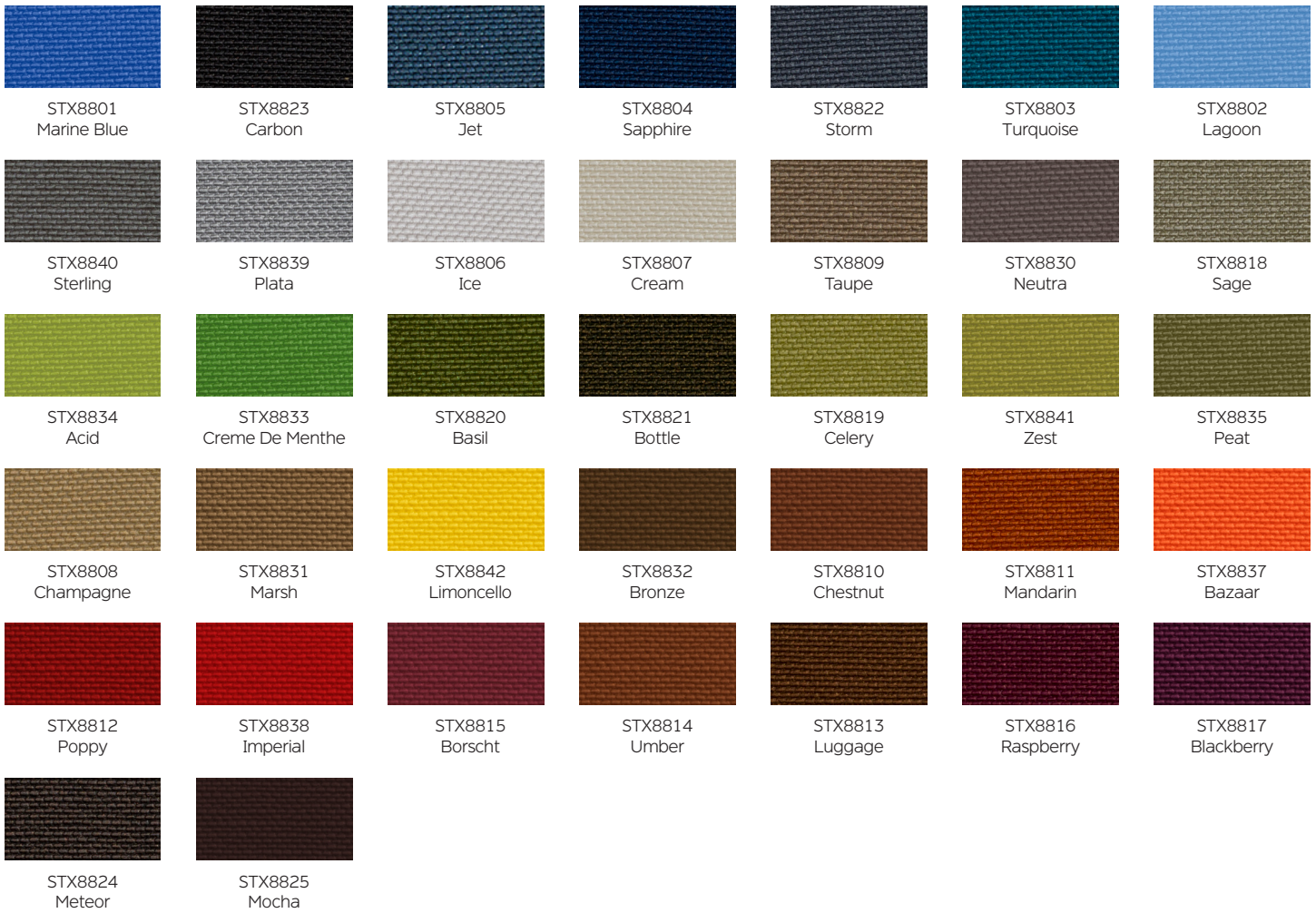
- Water repellent
- Mildew resistant
- 1500 Hour UV resistant
- Stain repellent
- 25000+ double rub abrasion resistant
- 3 year warranty
- Flammability: Passes UFAC-FABRIC, CLASS-1
- Passes CALIFORNIA 117 SECTION E
- Outdoor rated thread - Continuous filament bonded polyester
- Foam: Dual density for comfort and support
- Antimicrobial

FOOTPRINT & DIMENSIONS (INCHES):

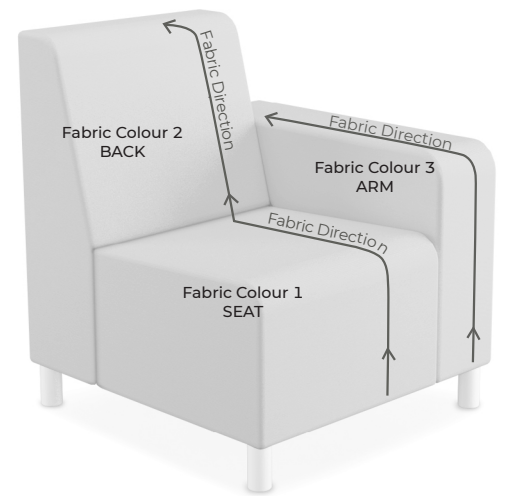


QUICK-SHIP OUTDOOR FABRIC COLOR SELECTIONS:

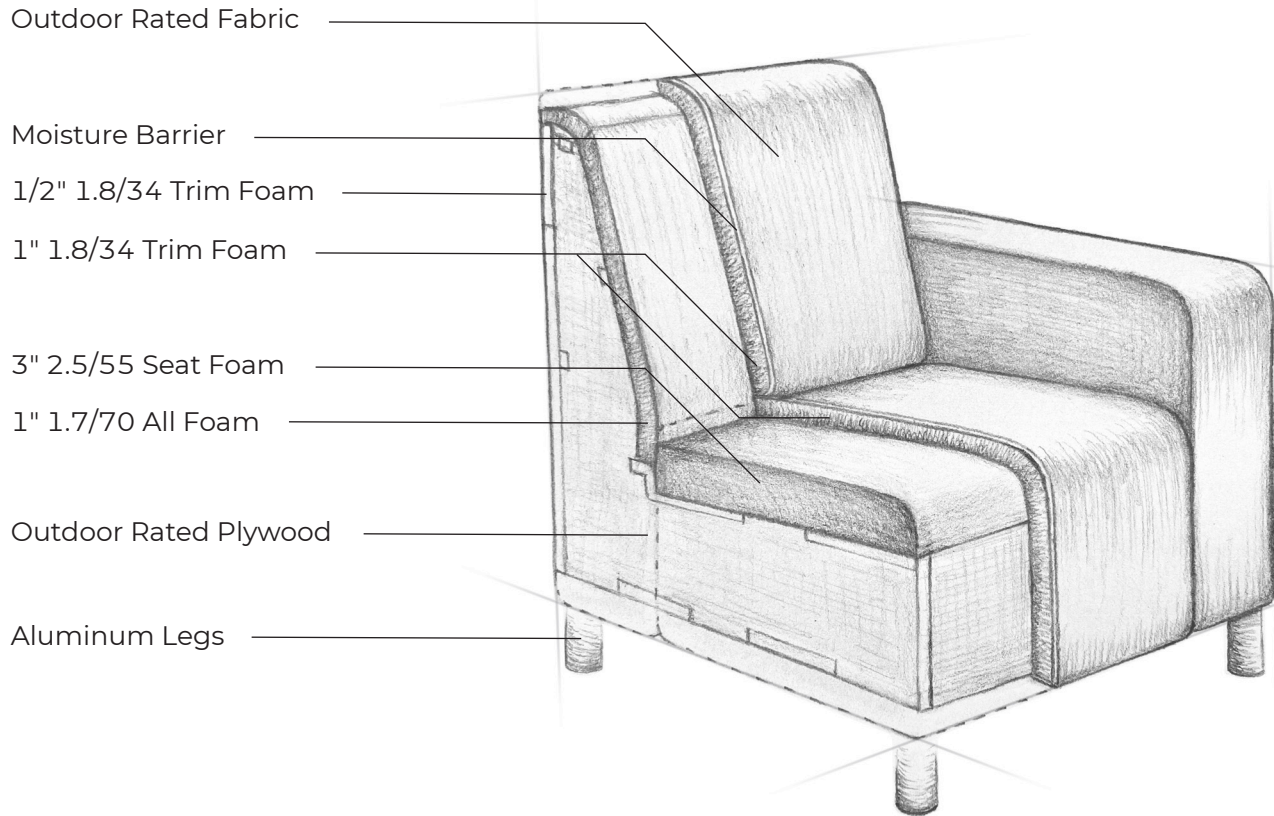
SPRADLING SILVERTEX:



SUNFIELD:



CONSTRUCTION DRAWING:



MooreCo TN Sustainability Initiatives



RECYCLING

Scrap Styrofoam and Polyurethane foam are processed for use as fill materials in our Bean Bag products.

Excess polyurethane foam is baled and sold to be remanufactured into other foam products such as carpet padding and floor mats.

Scrap cardboard from packaging materials are baled and sold for reprocessing into liner board for packaging materials.

MooreCo TN donates excess fabric and wood materials to local schools and daycare centers for use in Arts and Crafts.

MooreCo TN collects all paper, plastic and aluminum waste for recycling through local services.

MATERIALS

MooreCo TN uses solvent free Simalfa water-based adhesives to bond our foam to the wood frames - it is GREENGUARD Gold Certified

All plywood used is E1 / EPA TSCA Title VI / CARB Phase 2 Compliant

All hardwoods used are provided from reforested sources

All upholstery foams are highest quality and meet TB 117-2013 standards and contain no added fire retardant materials

All our packaging materials contain at least 25% recycled content



2885 Lorraine Avenue | Temple, TX 76501
p: 800.749.2258 | f: 866.888.7483
www.moorecoinc.com